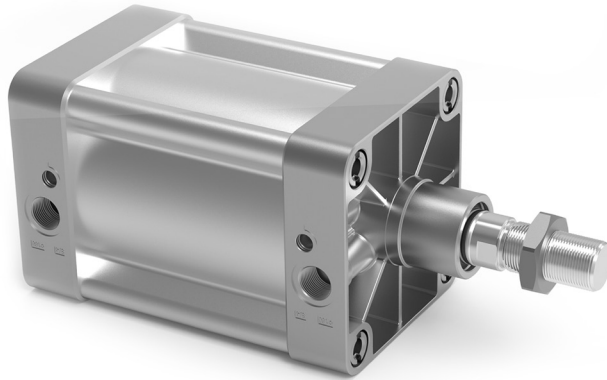


Cylinders - Aluminium profile Series 41K



Double-acting, cushioned, magnetic
Ø 160 - 200 mm



- » In compliance with ISO 15552 standard and with the previous DIN/ISO 6431/VDMA 24562 standard
- » Rolled stainless steel rod
- » Adjustable pneumatic cushioning
- » Rod scraper in brass
- » ATEX

Series 41K cylinder comply with the ISO 15552 standard and can be assembled with the entire range of standard accessories.

The mounting brackets used on the end-blocks tube are designed in an extremely secure way, making use of cylinder tie-rods positioned internally and not visible on the assembled cylinder. This cylinder series is normally equipped with adjustable endstroke cushioning by means of a screw positioned on the end-block.

GENERAL DATA

Type of construction	profile (with tie-rods)
Operation	double-acting
Design	ISO 15552
Materials	AL end blocks and piston - rolled AISI 420B stainless steel piston rod - zinc-plated steel piston rod nut - anodized AL-profile tube zinc-plated steel tie-rods and tie-rod nuts - NBR-PU rod - piston - cushion seals - brass rod scraper
Mounting	with front flange - rear flange - foot mounts - centre trunnion - front and rear trunnion
Strokes min - max	10 ÷ 2500 mm
Operating temperature	0°C ÷ 80°C (with dry air - 20°C)
Operating pressure	1 ÷ 10 bar
Speed	10 ÷ 500 mm/sec (without load) ATEX Version Ø 160-200 10 ÷ 500 mm/sec
Fluid	filtered air, without lubrication. If lubricated air is used, it is recommended to use oil ISOVG32. Once applied the lubrication should never be interrupted.

STANDARD STROKES FOR SERIES 41K DOUBLE-ACTING CYLINDERS

STANDARD STROKES														
∅	25	50	75	80	100	125	150	160	200	250	300	320	400	500
160		x			x		x		x				x	x
200		x			x				x					

x = double-acting

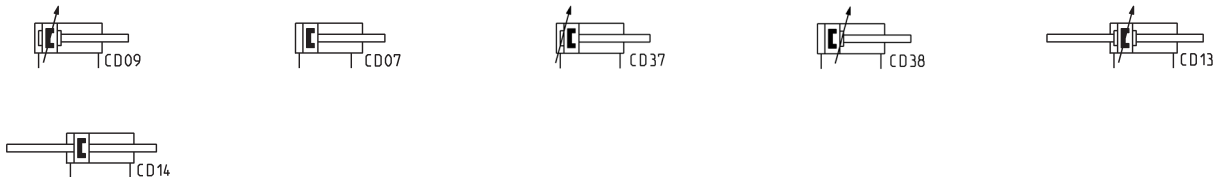
CODING EXAMPLE

41	K	2	P	160	A	0200	
-----------	----------	----------	----------	------------	----------	-------------	--

41	SERIES
K	VERSION K = standard magnetic
2	OPERATION 2 = double-acting, front and rear cushions 3 = double-acting, no cushion 4 = double-acting, rear cushions 5 = double-acting, front cushion 6 = double-acting, through-rod, front and rear cushions 8 = double-acting, through-rod, no cushion PNEUMATIC SYMBOLS CD09 CD07 CD37 CD38 CD13 CD14
P	MATERIALS P = see the GENERAL DATA table on the previous page R = AISI 420B stainless steel tie-rods, AISI 303 stainless steel tie-rod nuts C = rolled AISI 303 stainless steel piston rod, AISI 304 stainless steel piston rod nut U = rolled stainless steel AISI 303 piston rod, AISI 304 stainless steel piston rod nut, stainless steel AISI 420B tie-rods, stainless steel AISI 303 tie-rod nuts, AISI 420B stainless steel tie-rods, AISI 303 stainless steel tie-rod nuts W = rolled AISI 304 stainless steel piston rod, AISI 304 stainless steel piston rod nut, AISI 420B stainless steel tie-rods, AISI 303 stainless steel tie-rod nuts
160	BORE 160 = 160 mm - 200 = 200 mm
A	TYPE OF DESIGN A = standard F = cylinder with centre trunnion
0200	STROKE (see the table) = standard V = FKM rod seal W = all seals in FKM +130°C C = PU coated cylinder. Colour: Grey G = with brass rod scraper (chrome plated AISI 420B stainless steel rod, NBR rod seal) (_ _ _) = extended piston rod _ _ _ mm Note: Version C is available on request. For further information, please contact our technical dept.
	CERTIFICATIONS EX = ATEX

PNEUMATIC SYMBOLS

The pneumatic symbols indicated in the CODING EXAMPLE are shown below.



ACCESSORIES FOR SERIES 41K CYLINDERS



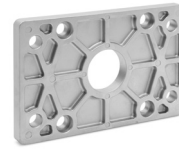
Clevis pin Mod. S



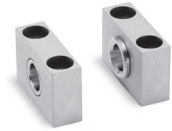
90° swivel combination Mod. ZS



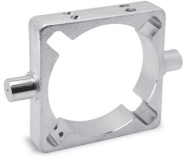
Rear trunnion, male Mod. L



Front and rear flange Mod. D-E



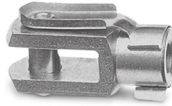
Counter bracket for centre trunnion Mod. BF



Centre trunnion Mod. F



Foot mount Mod. B



Rod fork end Mod. G



Front and rear female trunnion Mod. C-H



Swivel ball joint Mod. GA



Swivel combination Mod. C+L+S



Piston rod lock nut Mod. U



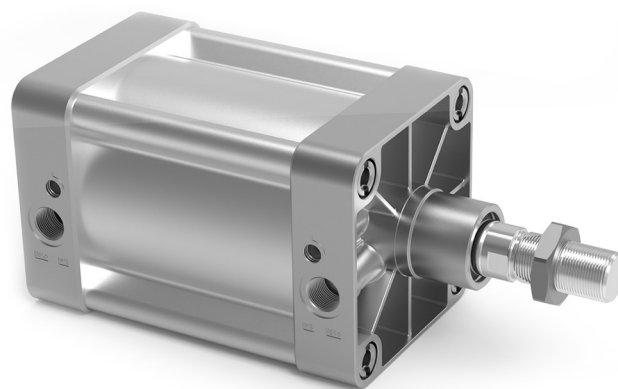
Self aligning rod Mod. GK



Proximity switch Mod. CSN

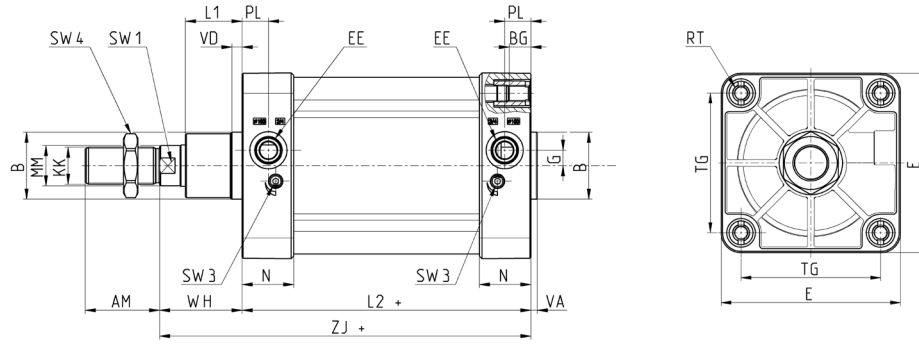
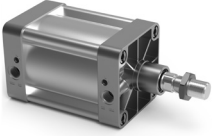


Adapter Mod. S53 for CSN proximity switches



All accessories are supplied separately, except for piston rod lock nut Mod. U. For proximity switches and relating brackets, see the dedicated section.

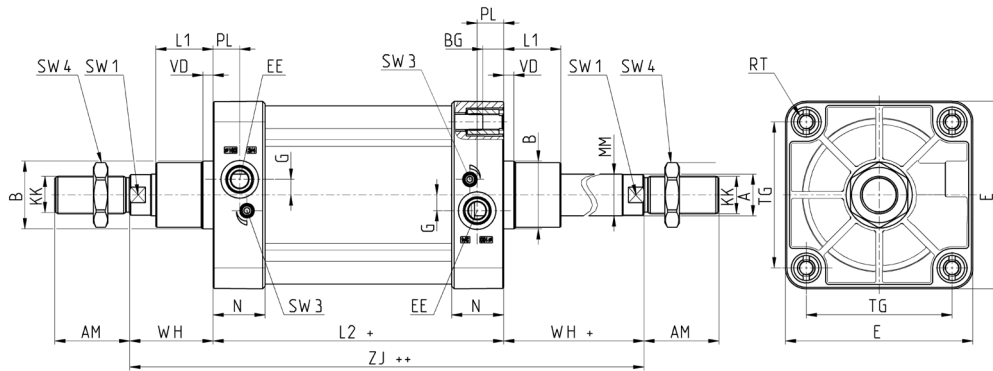
Series 41K Cylinders



+ = add the stroke

∅	∅MM	KK	∅B	PL	G	L1	AM	VA	EE	WH	L2+	ZJ+	VD	N	RT	BG	TG	E	SW1	SW3	SW4	Cushion stroke
160	40	M36X2	65	25,5	15	55	72	6	G3/4	80	180	260	10	50	M16	24	140	180	36	4	55	33
200	40	M36X2	75	25,5	15	65	72	8	G3/4	95	180	275	25	50	M16	24	175	220	36	4	55	48

Series 41K cylinders - through-rod



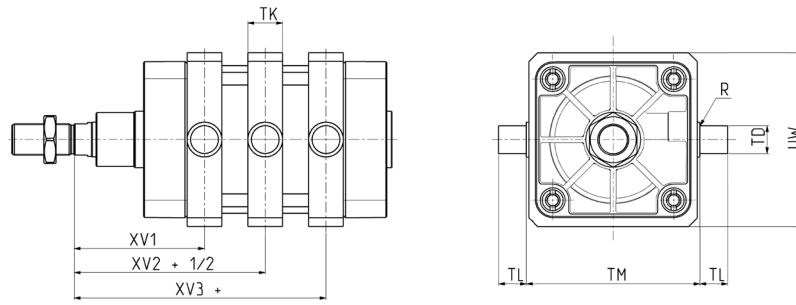
+ = add the stroke once
++ = add the stroke twice

∅	∅MM	KK	∅B	PL	G	L1	AM	VA	EE	WH	L2+	ZJ+	VD	N	RT	BG	TG	E	SW1	SW3	SW4	Cushion stroke
160	40	M36X2	65	25,5	15	55	72	6	G3/4	80	180	260	10	50	M16	24	140	180	36	4	55	33
200	40	M36X2	75	25,5	15	65	72	8	G3/4	95	180	275	25	50	M16	24	175	220	36	4	55	48

Series 41K cylinders with trunnion Mod. F assembled



+ = add the stroke
 + 1/2 = add half the stroke

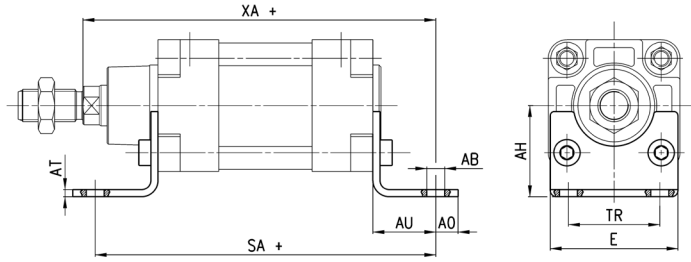


Mod.	∅	XV1	XV2+1/2	XV3+	TM	TK	TD	TL	UW	R
F-160	160	150	170	190	200	40	32	32	190	2
F-200	200	165	185	205	250	40	32	32	240	2

Foot mount Mod. B



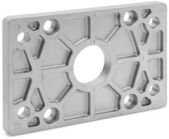
Material: Black-painted steel
(cataphoresis)
Supplied with:
2 foot mounts
4 screws



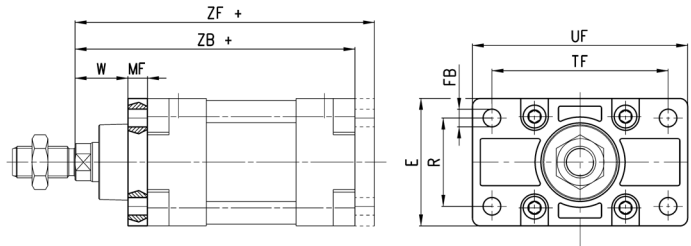
+ = add the stroke

DIMENSIONS										
Mod.	∅	AT	SA+	XA+	TR	E	∅ _{AB}	AH	A0	AU
B-41-160	160	10	300	320	115	175	18.5	115	25	60
B-41-200	200	12	320	345	135	238	24	135	35	70

Front and rear flange Mod. D-E



Material: Aluminium
Supplied with:
1 flange
4 screws



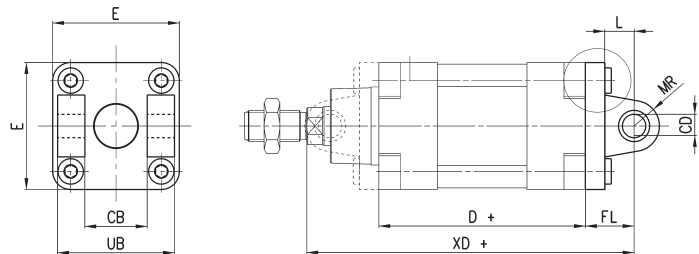
+ = add the stroke

DIMENSIONS										
Mod.	∅	W	MF	ZB+	TF	R	UF	E	∅ _{FB}	ZF+
D-E-41-160	160	60	20	260	230	115	260	180	18	280
D-E-41-200	200	70	25	275	270	135	300	220	22	300

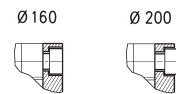
Front or rear female trunnion Mod. C-H



Material: Aluminium
Supplied with:
1 female trunnion
4 screws



+ = add the stroke

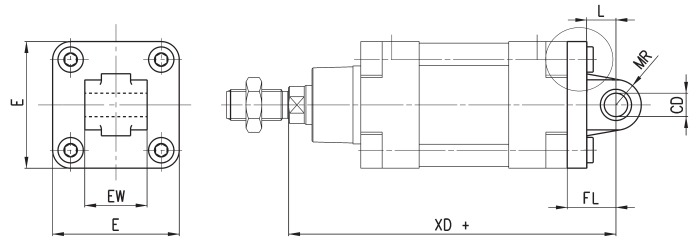


DIMENSIONS										
Mod.	∅	∅ _{CD}	L	FL	D+	XD+	MR	E	CB	UB
C-H-41-160	160	30	35	55	180	315	25	180	90	169
C-H-41-200	200	30	35	60	180	335	25	220	90	169

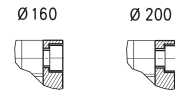
Rear male trunnion Mod. L



Material: Aluminium
 Supplied with:
 1 male trunnion
 4 screws



+ = add the stroke

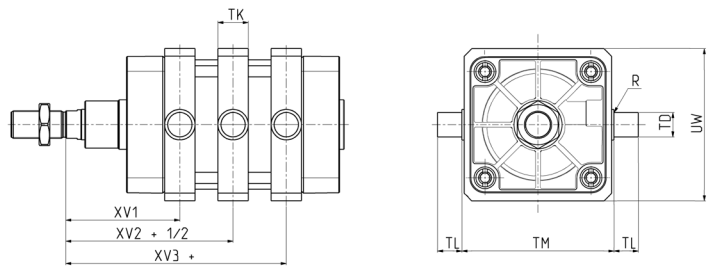


DIMENSIONS								
Mod.	Ø	ØCD	L	FL	XD+	MR	E	EW ^{-0.5-1.2}
L-41-160	160	30	35	55	315	25	180	90
L-41-200	200	30	35	60	335	25	220	90

Centre trunnion Mod. F



Material: white zinc-plated steel
 Supplied with:
 1 centre trunnion
 4 fixing elements
 4 nuts



+ = add the stroke

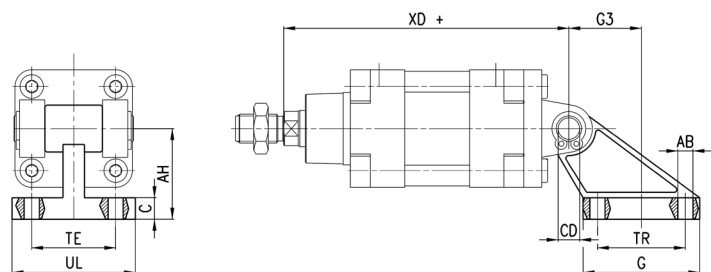
DIMENSIONS										
Mod.	Ø	XV1	XV+1/2	XV3+	TM	h	ØTD	TL	UW	R
F-41-160	160	150	170	190	200	40	32	32	190	2
F-41-200	200	165	185	205	250	40	32	32	240	2

90° Swivel combination Mod. ZS



* not according to ISO standard 15552

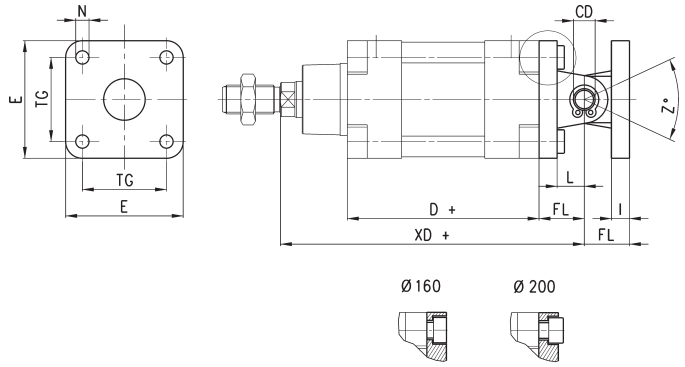
Supplied with:
 1 aluminium swivel combination
 45°



+ = add the stroke

DIMENSIONS											
Mod.	Ø	TE	TR	ØAB	AH	C	G	ØCD	UL	XD+	G3
ZS-160*	160	140	140	18	140	20	180	30	180	315	105
ZS-160N	160	118	88	14	115	25	126	30	156	315	53
ZS-200*	200	175	175	18	140	25	220	30	220	335	125
ZS-200N	200	122	90	18	135	30	130	30	162	335	60

Swivel combination Mod. C+L+S



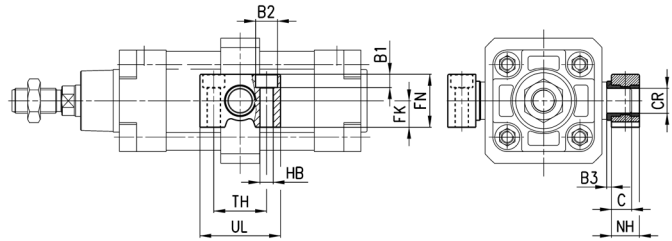
+ = add the stroke

DIMENSIONS											
Mod.	∅	∅ _{CD}	L	FL	D+	XD+	TG	E	∅ _N	I	Z° (max)
C+L+S	160	30	35	55	180	315	140	180	18	20	25
C+L+S	200	30	35	60	180	335	175	220	18	25	20

Counter bracket for centre trunnion Mod. BF

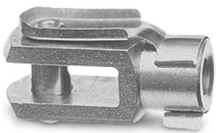


Material: aluminium
Supplied with
2 counter brackets

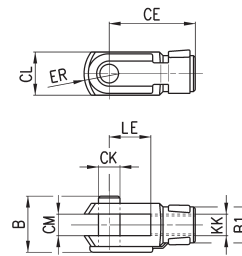


DIMENSIONS												
Mod.	∅	∅ _{CR}	NH	C	B3	TH	UL	FK	FN	B1	∅ _{B2}	∅ _{HB}
BF-160-200	160-200	32	35	17,5	4	60	92	30	60	16	26	18

Rod fork end Mod. G



ISO 8140
Material: zinc-plated steel

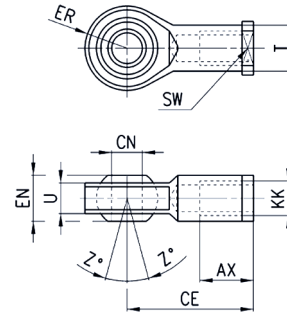


DIMENSIONS										
Mod.	∅	∅ _{CK}	LE	CM	CL	ER	CE	KK	B	∅ _{B1}
G-160-200	160-200	35	72	35	70	44	144	M36X2	92	60

Swivel ball joint Mod. GA



ISO 8139.
Material: zinc-plated steel.

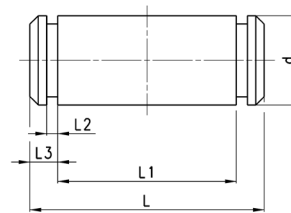


DIMENSIONS											
Mod.	∅	ϕ CN	U	EN	ER	AX	CE	KK	∅T	Z	SW
GA-160-200	160-200	35	28	43	40	56	125	M36x2	46	6	50

Clevis pin Mod. S



Supplied with:
1 clevis pin (303 stainless steel)
2 seeger in steel

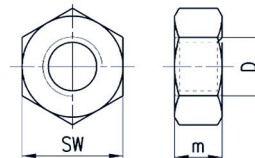


DIMENSIONS						
Mod.	∅	d	L	L1	L2	L3
S-160-200	160-200	30	180.5	172	1.6	4.25

Piston rod lock nut Mod. U



UNI EN ISO 4035
Material: zinc-plated steel

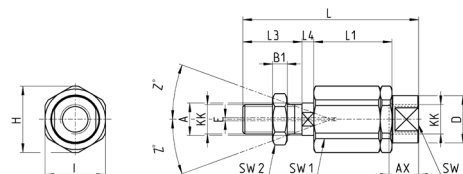


DIMENSIONS				
Mod.	∅	D	m	SW
U-160-200	160-200	M36x2	14	55

Self aligning rod Mod. GK

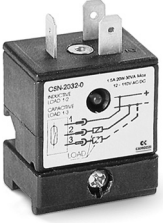


Material: zinc-plated steel

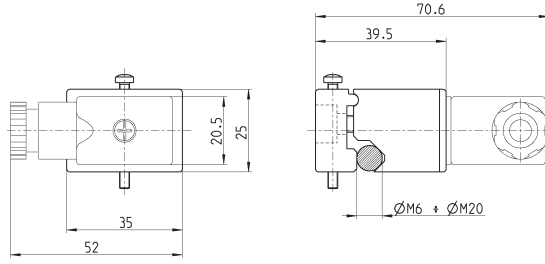


DIMENSIONS																	
Mod.	∅	KK	L	L1	L3	L4	ϕ A	ϕ D	H	I	SW	SW1	SW2	B1	AX	Z	E
GK-160-200	160-200	M36x2	190	77	72	15.5	39	57	75	70	54	32	55	14	68	4	2

Mod.CSN proximity switches



NOTE: the relating adapter S53 has to be ordered separately.



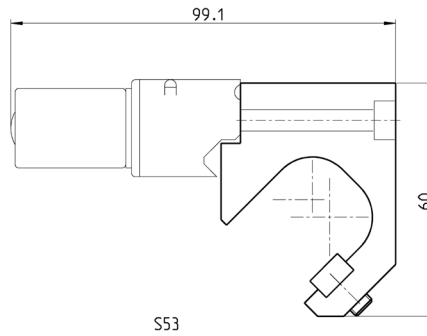
Further details in the "Proximity switch" catalog.

SERIES 41K CYLINDERS

Mod.	Series	Ø
CSN-2032-0	41K	160-200

Adapter Mod. S53 for CSN proximity switch

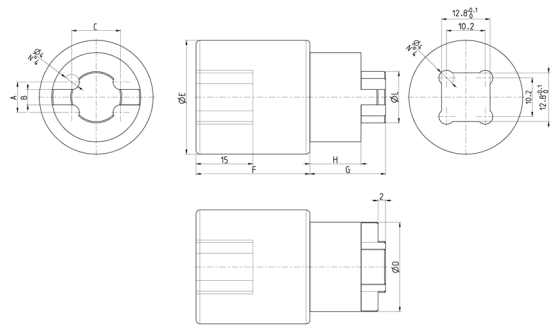
Material: Aluminium



Mod.	Series	Ø
S53	41K	160-200

Special key to disassemble cylinders S.41K

Material: Steel



Mod.	Ø	A	B	C	ØD	ØE	F	G	H	ØL
160-200-40K/8C	160/200	8	4	12,9	23,5	30	30	20	13,5	13,5
250-40K/8C	250	9,5	5	16,6	31,5	30	27	24	16	17,5
320-40K/8C	320	9,5	5	20,3	35,5	32	27	24	16	21