

# Mechanically operated valves Series 1 and 3

Series 1: 3/2-way and 5/2-way, ports G1/8 and G1/4  
Series 3: 3/2-way and 5/2-way, ports G1/8



These mechanically operated valves have been designed with three different types of actuation:

- plunger
- lever/roller
- unidirectional lever/roller

In each case, return is triggered by a mechanical spring.

3/2-way monostable valves Series 3 are normally closed in the rest position when pressure is supplied in 1 and are normally open when pressure is supplied on connection 3, the user port 2 remaining unchanged.

5/2-way valves Series 3 can be supplied via the ports 3 and 5 with two different pressures if a cylinder has to be operated using a delivery pressure which is different from the return pressure.

## GENERAL DATA

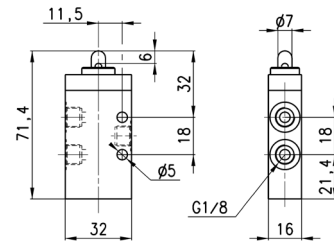
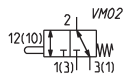
Construction	spool-type (Series 3), poppet-type (Series 1)
Valve group	3/2, 5/2 way/pos.
Materials	aluminium body, brass poppet, stainless steel spool, NBR seals
Ports	G1/8, G1/4
Ambient temperature	0°C + 60°C
Medium temperature	0°C + 50°C
Operating pressure	see models
Fluid	Filtered air, without lubrication. If lubricated air is used, it is recommended to use ISO VG32 oil. Once applied the lubrication should never be interrupted.

**CODING EXAMPLE**

<b>3</b>	<b>3</b>	<b>8</b>	<b>-</b>	<b>94</b>	<b>5</b>
<b>3</b>	SERIES: 1 3				
<b>3</b>	FUNCTION: 3 = 3/2 ways NC 4 = 3/2 ways NO (only Series 1) 5 = 5/2 ways				
<b>8</b>	PORTS: 8 = G1/8 4 = G1/4 (only Series 1)				
<b>94</b>	ACTUATION: 94 = plunger 95 = lever/roller 96 = unidirectional roller				
<b>5</b>	RESETTING: 5 = spring return				

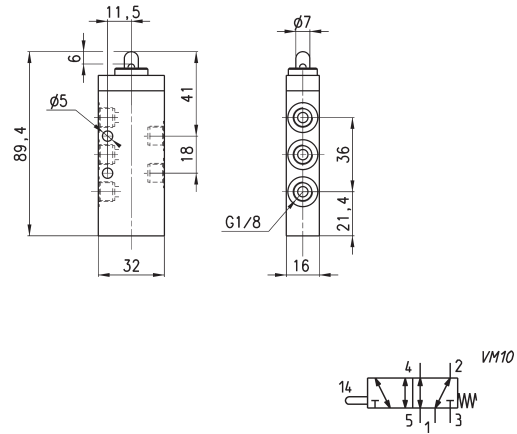
SERIES 1 AND 3 MECHANICALLY OPERATED VALVES

**Valve Mod. 338-945**



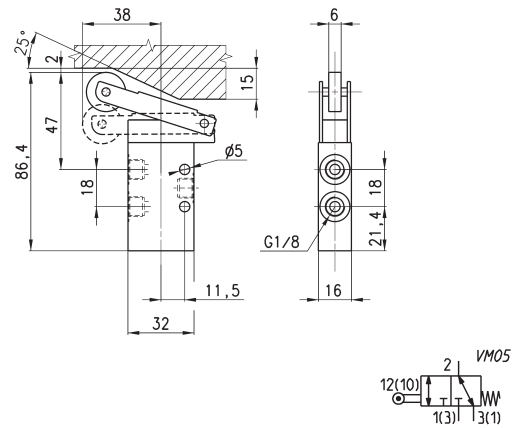
Mod.	Operating pressure (bar)	Flow (NI/min)	Actuating force (N)
338-945	-0.9 ÷ 10	700	32

**Valve Mod. 358-945**



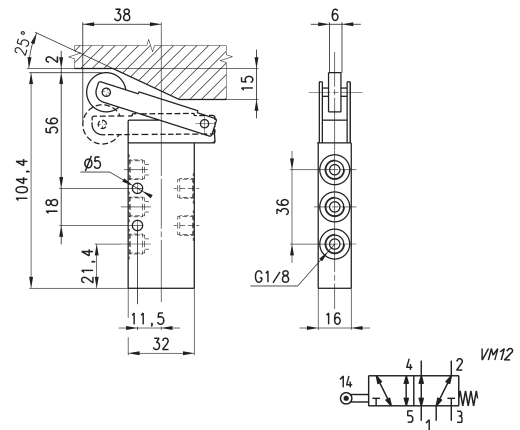
Mod.	Operating pressure (bar)	Flow (NL/min)	Actuating force (N)
358-945	-0.9 ÷ 10	700	35

**Valve Mod. 338-955**



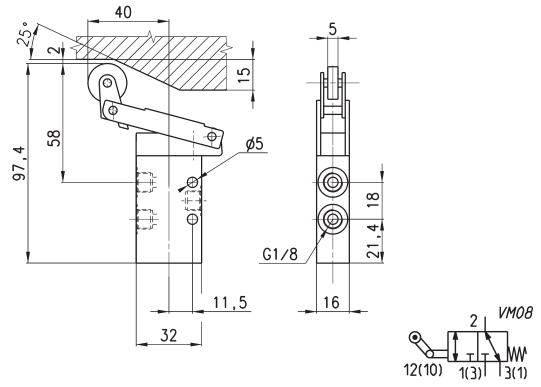
Mod.	Operating pressure (bar)	Flow (NL/min)	Actuating force (N)
338-955	-0.9 ÷ 10	700	15

**Valve Mod. 358-955**



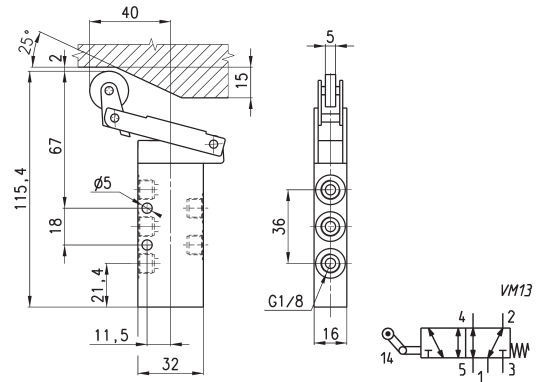
Mod.	Operating pressure (bar)	Flow (NL/min)	Actuating force (N)
358-955	-0.9 ÷ 10	700	17

**Valve Mod. 338-965**



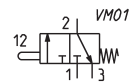
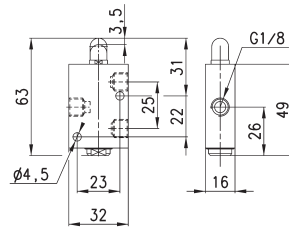
Mod.	Operating pressure (bar)	Flow (NL/min)	Actuating force (N)
338-965	-0.9 ÷ 10	700	15

**Valve Mod. 358-965**



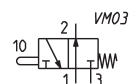
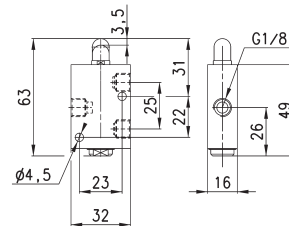
Mod.	Operating pressure (bar)	Flow (NL/min)	Actuating force (N)
358-965	-0.9 ÷ 10	700	16

**Valve Mod. 138-945**



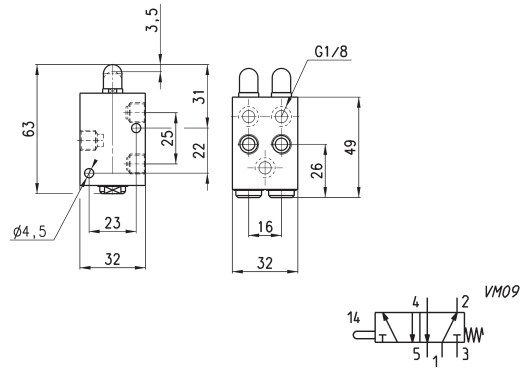
Mod.	Operating pressure (bar)	Flow rate (NL/min)	Actuating force at 6 bar (N)
138-945	0 ÷ 10	500	70

**Valve Mod. 148-945**



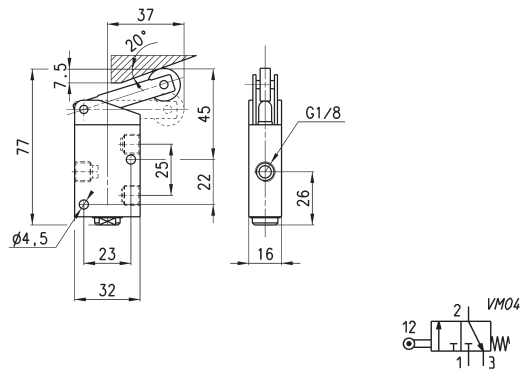
Mod.	Operating pressure (bar)	Flow rate (NL/min)	Actuating force at 6 bar (N)
148-945	0 ÷ 10	500	70

**Valve Mod. 158-945**



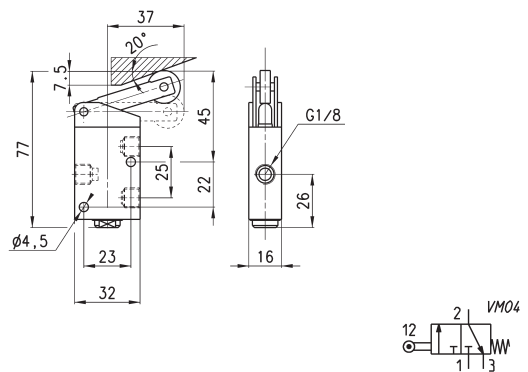
Mod.	Operating pressure (bar)	Flow rate (NL/min)	Actuating force at 6 bar (N)
158-945	0 ÷ 10	500	120

**Valve Mod. 138-955**



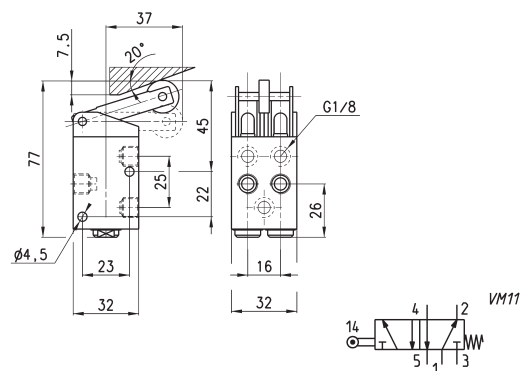
Mod.	Operating pressure (bar)	Flow rate (NL/min)	Actuating force at 6 bar (N)
138-955	0 ÷ 10	500	36

**Valve Mod. 148-955**



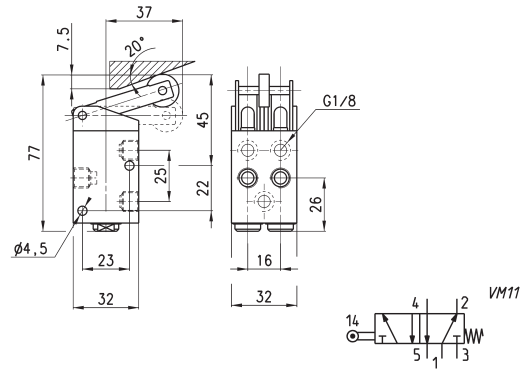
Mod.	Operating pressure (bar)	Flow rate (NL/min)	Actuating force at 6 bar (N)
138-955	0 ÷ 10	500	36

**Valve Mod. 158-955**



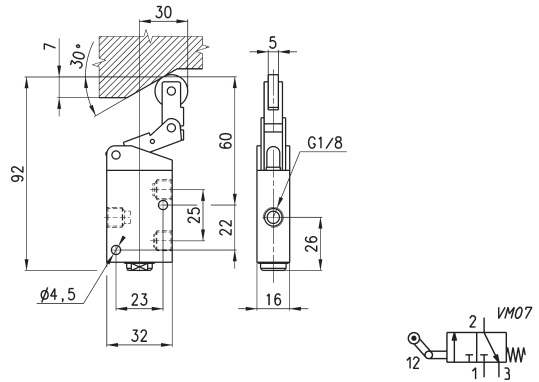
Mod.	Operating pressure (bar)	Flow rate (NL/min)	Actuating force at 6 bar (N)
158-955	0 ÷ 10	500	92

**Valve Mod. 158-955**



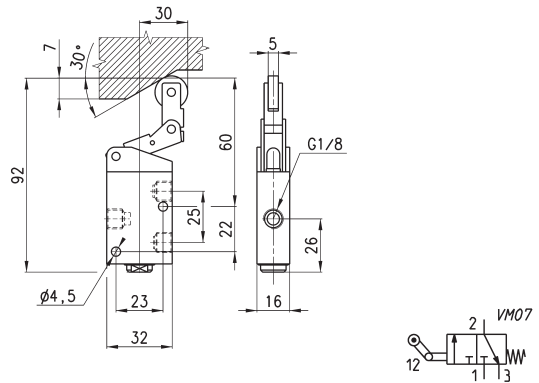
Mod.	Operating pressure (bar)	Flow rate (NL/min)	Actuating force at 6 bar (N)
158-955	0 ÷ 10	500	92

**Valve Mod. 138-965**



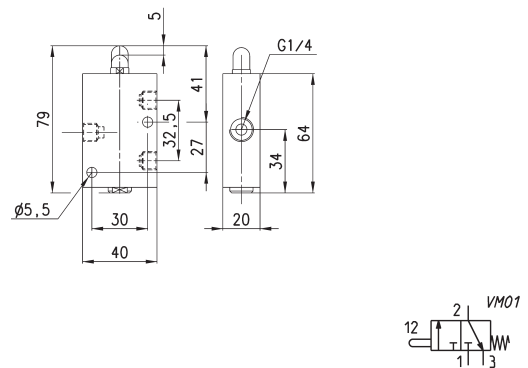
Mod.	Operating pressure (bar)	Flow rate (NL/min)	Actuating force at 6 bar (N)
138-965	0 ÷ 10	500	41

**Valve Mod. 148-965**



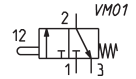
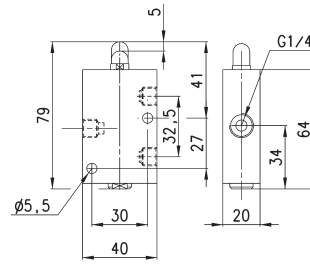
Mod.	Operating pressure (bar)	Flow rate (NL/min)	Actuating force at 6 bar (N)
138-965	0 ÷ 10	500	41

**Valve Mod. 134-945**



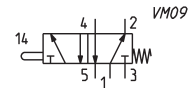
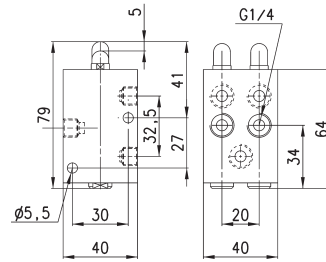
Mod.	Operating pressure (bar)	Flow rate (NL/min)	Actuating force at 6 bar (N)
134-945	0 ÷ 10	1250	64

**Valve Mod. 144-945**



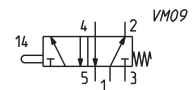
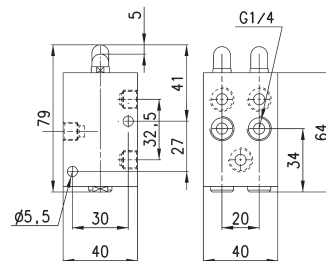
Mod.	Operating pressure (bar)	Flow rate (NL/min)	Actuating force at 6 bar (N)
134-945	0 ÷ 10	1250	64

**Valve Mod. 154-945**



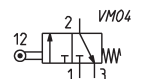
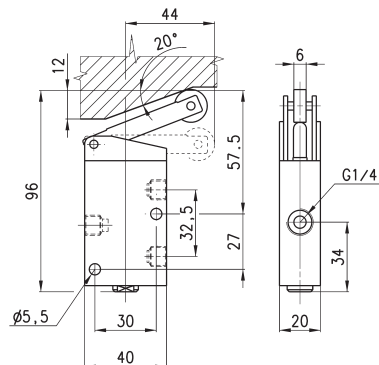
Mod.	Operating pressure (bar)	Flow rate (NL/min)	Actuating force at 6 bar (N)
154-945	0 ÷ 10	1250	147

**Valve Mod. 154-945**



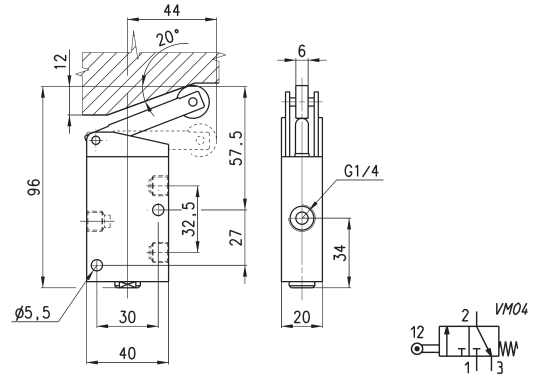
Mod.	Operating pressure (bar)	Flow rate (NL/min)	Actuating force at 6 bar (N)
154-945	0 ÷ 10	1250	147

**Valve Mod. 134-955**



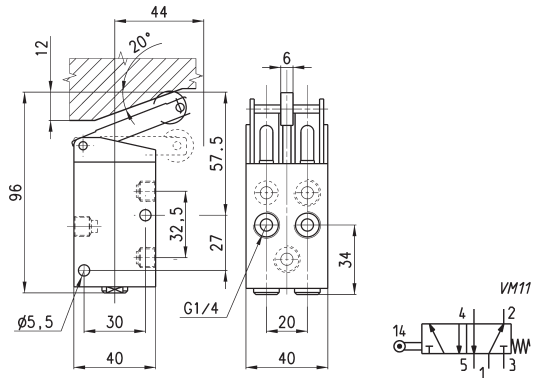
Mod.	Operating pressure (bar)	Flow rate (NL/min)	Actuating force at 6 bar (N)
134-955	0 ÷ 10	1250	41

**Valve Mod. 144-955**



Mod.	Operating pressure (bar)	Flow rate (NL/min)	Actuating force at 6 bar (N)
134-955	0 ÷ 10	1250	41

**Valve Mod. 154-955**



Mod.	Operating pressure (bar)	Flow rate (NL/min)	Actuating force at 6 bar (N)
154-955	0 ÷ 10	1250	110