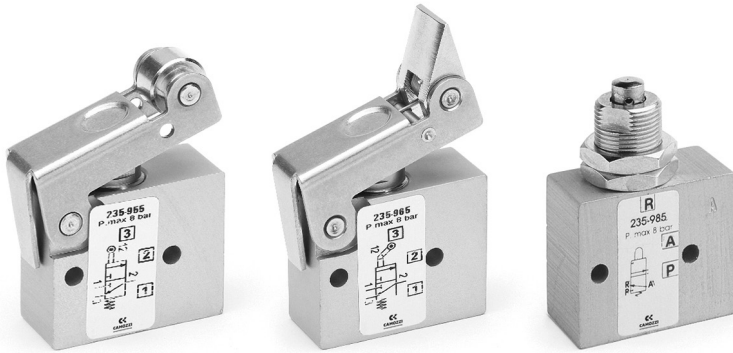


Series 2 mechanically operated minivalves

3/2-way
Ports M5, cartridge $\varnothing 4$

SERIES 2 MECHANICALLY OPERATED MINIVALVES



Series 2 mechanically operated miniature valves, 3/2-way normally closed, are available with M5 threaded ports or with an integrated super-rapid fitting for $\varnothing 4$ mm tubes. The devices are actuated by a plunger, roller/lever or a unidirectional lever.

GENERAL DATA

Construction	poppet type
Valve group	3-way/2-position
Materials	aluminium body, brass plunger, NBR seals
Mounting	by means of screws in the through-holes of the valve body
Ports	M5, $\varnothing 4$ mm cartridge
Room temperature	$0^{\circ}\text{C} \div 60^{\circ}\text{C}$
Fluid temperature	$0^{\circ}\text{C} \div 50^{\circ}\text{C}$
Operating pressure	0 bar \div 10 bar
Fluid	Filtered air, without lubrication. If lubricated air is used, it is recommended to use ISO VG32 oil. Once applied the lubrication should never be interrupted.

CODING EXAMPLE

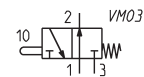
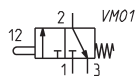
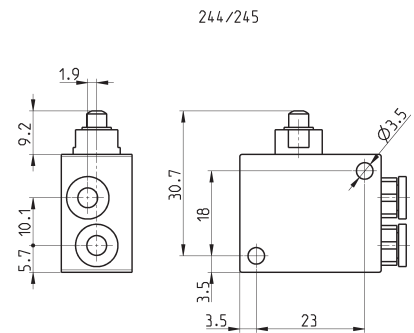
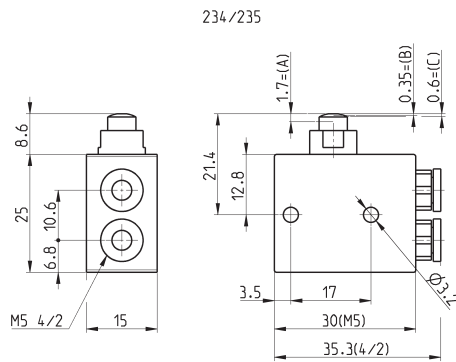
2	3	4	-	94	5
2	SERIES				
3	FUNCTION 3 = 3/2-way NC 4 = 3/2-way NO				
4	PORTS 4 = cartridge \varnothing 4mm 5 = M5				
94	ACTUATION 94 = plunger 95 = lever/roller 96 = unidirectional lever 98 = plunger, panel mounting				
5	RESETTING 5 = spring return				

SERIES 2 MECHANICALLY OPERATED MINIVALVES

Minivalves with plunger

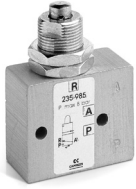


DRAWING LEGEND
A = total stroke
B = pre-stroke
C = effective stroke

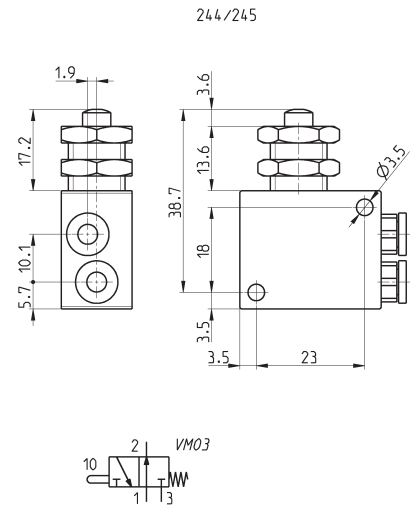
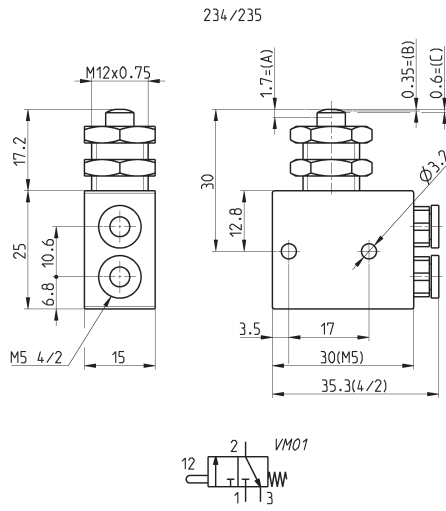


Mod.	Operating pressure (bar)	Flow Qn (NI/min)	Actuating force at 6 bar (N)	SYMBOL
234-945	2 ÷ 10	60	6	VM01
235-945	2 ÷ 10	60	6	VM01
244-945	2 ÷ 10	60	6	VM03
245-945	2 ÷ 10	60	6	VM03

Minivalves with plunger, panel mounting

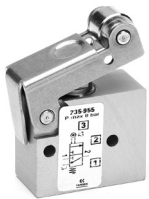


DRAWING LEGEND
A = total stroke
B = pre-stroke
C = effective stroke

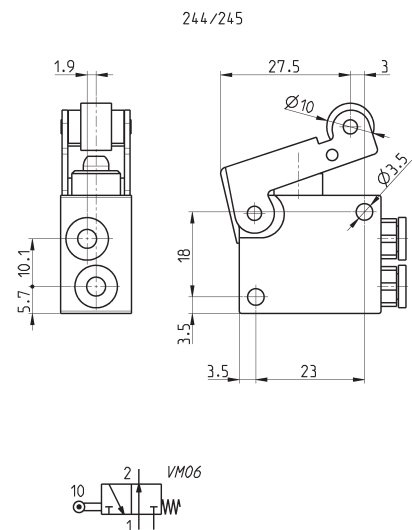
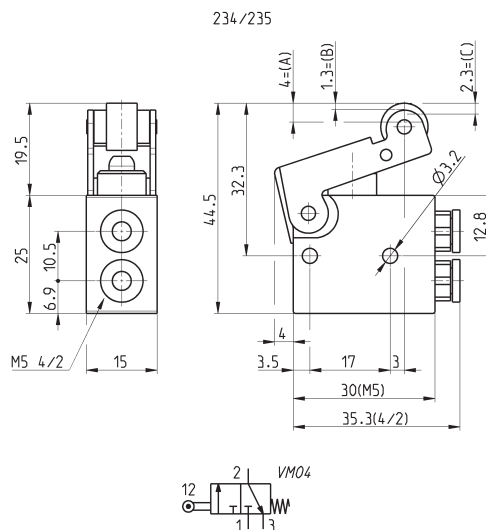


Mod.	Operating pressure (bar)	Flow Qn (NI/min)	Actuating force at 6 bar (N)	SYMBOL
234-985	2 ÷ 10	60	6	VM01
235-985	2 ÷ 10	60	6	VM01
244-985	2 ÷ 10	60	6	VM03
245-985	2 ÷ 10	60	6	VM03

Minivalves with lever/roller

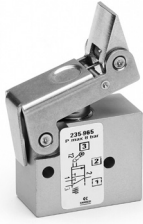


DRAWING LEGEND
A = total stroke
B = pre-stroke
C = effective stroke

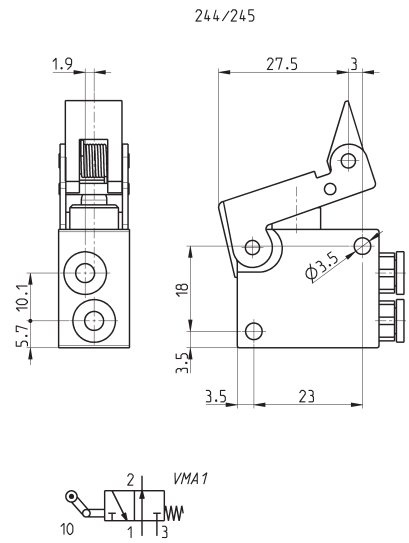
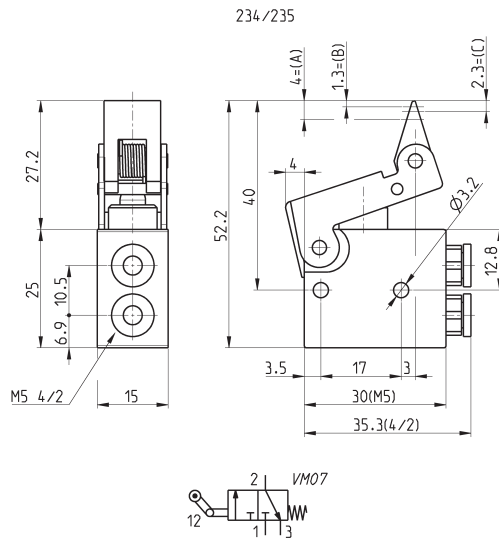


Mod.	Operating pressure (bar)	Flow Qn (NI/min)	Actuating force at 6 bar (N)	SYMBOL
234-955	2 ÷ 10	60	6	VM04
235-955	2 ÷ 10	60	6	VM04
244-955	2 ÷ 10	60	6	VM06
245-955	2 ÷ 10	60	6	VM06

Minivalves, unidirectional lever



DRAWING LEGEND
 A = total stroke
 B = pre-stroke
 C = effective stroke



Mod.	Operating pressure (bar)	Flow Qn (NI/min)	Actuating force at 6 bar (N)	SYMBOL
234-965	2 ÷ 10	60	6	VM07
235-965	2 ÷ 10	60	6	VM07
244-965	2 ÷ 10	60	6	VMA1
245-965	2 ÷ 10	60	6	VMA1