

Series 29 mini ball valves for Pneumatics and industrial fluids

Tube external diameters: 4, 6 and 8mm

Threads: BSP (G1/8, G1/4, G3/8, G1/2, R1/8, R1/4)



- » Reduction in installation time
- » Compact dimensions
- » Cost effective solution
- » Lightweight
- » Maximum flow capability
- » Easy-to-operate lever
- » Usage with polymer tubing
- » Available versions: MINI, ECO, butterfly and 3/2-way

The mini ball valves are used to open or close air or fluids in industrial applications characterised by extremely reduced spaces.

The miniaturised dimensions and light weight of Series 29 enable a quick installation at any point of the system, also thanks to the push-in connection or thread.

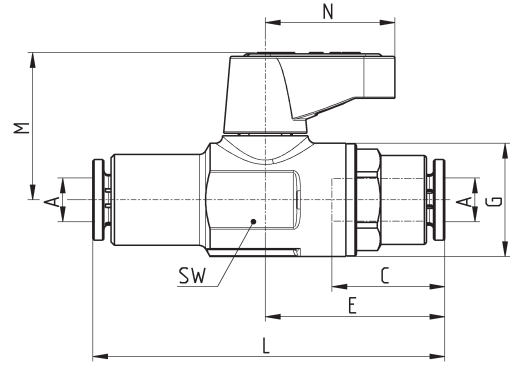
The design and materials used make this series particularly suitable for compressed air systems as well as hydraulic circuits and systems.

GENERAL DATA

Function	2/2-way, 3/2-way with exhaust
Operation	90° lever rotation
Ports	G1/8, G1/4, G3/8, G1/2, R1/8, R1/4
Tube diameter	Ø 4, 6, 8 mm
Orifice diameter	6 mm (MINI version) 8 mm bis 10 mm (ECO, butterfly and 3/2-way with exhaust)
Operating pressure	0 ÷ 10 bar
Operating temperature	-10 °C ÷ 90 °C
Materials	valve body, rod, collet: brass; ball: nickel plated brass; ball seals: PTFE rod sealing ring: FKM; Lever: Glass charged PA66
Surface finishing	chrome plated, sandblasted and chrome plated (only butterfly version)
Medium	compressed air, inert gases, water, oil - other on demand

Mini ball valves, MINI version - Mod. 2948

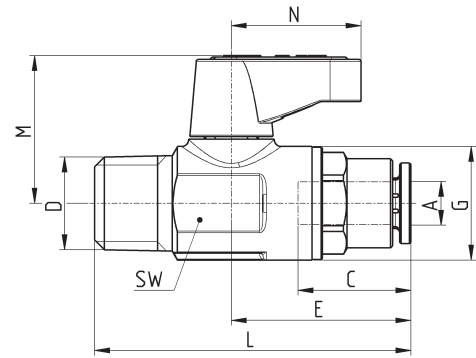
2/2 in-line with Push-in Collet



Mod.	A	DN	C	E	G	L	M	N	SW
2948 4	4	6	14	22.5	16	45	21	18.5	14
2948 6	6	6	16	25.5	16	50	21	18.5	14
2948 8	8	6	17.5	27	16	53	21	18.5	14

Mini ball valves, MINI version - Mod. 2947

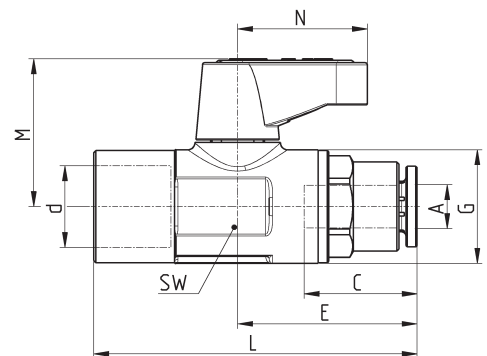
2/2 in-line with Push-in Collet, Male BSPT Threads



Mod.	A	d	DN	C	E	G	L	M	N	SW
2947 1/8-4	4	R1/8	6	14	22.5	16	39.5	21	18.5	14
2947 1/8-6	6	R1/8	6	16	25.5	16	42.5	21	18.5	14
2947 1/8-8	8	R1/8	6	17.5	27	16	44	21	18.5	14
2947 1/4-4	4	R1/4	6	14	22.5	16	42	21	18.5	14
2947 1/4-6	6	R1/4	6	16	25.5	16	45	21	18.5	14
2947 1/4-8	8	R1/4	6	17.5	27	16	46.5	21	18.5	14

Mini ball valves, MINI version - Mod. 2946

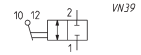
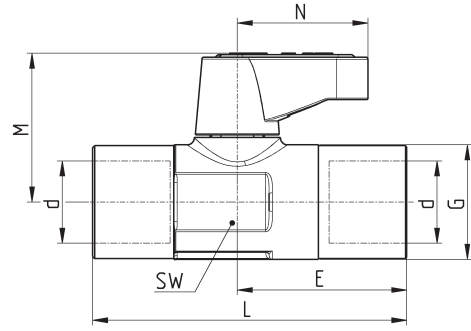
2/2 in-line with Push-in Collet, Female BSPP Threads



Mod.	A	d	DN	C	E	G	L	M	N	SW
2946 1/8-4	4	G1/8	6	14	22.5	16	41	21	18.5	14
2946 1/8-6	6	G1/8	6	16	25.5	16	44	21	18.5	14
2946 1/8-8	8	G1/8	6	17.5	27	16	45.5	21	18.5	14
2946 1/4-4	4	G1/4	6	14	22.5	16	43	21	18.5	14
2946 1/4-6	6	G1/4	6	16	25.5	16	46	21	18.5	14
2946 1/4-8	8	G1/4	6	17.5	27	16	47.5	21	18.5	14

Mini ball valves, MINI version - Mod. 2943

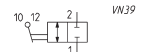
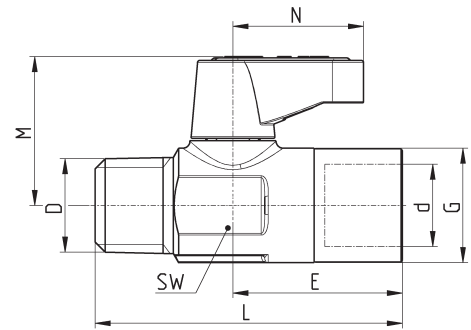
2/2 in-line, Female-Female BSPP Threads



Mod.	d	DN	E	G	L	M	N	SW
2943 1/8	G1/8	6	21	16	39.5	21	18.5	14
2943 1/4	G1/4	6	24	16	44.5	21	18.5	14

Mini ball valves, MINI version - Mod. 2944

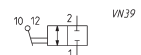
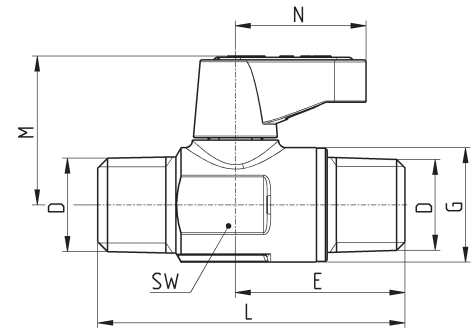
2/2 in-line, Male BSPT-Female BSPP Threads



Mod.	d	D	DN	E	G	L	M	N	SW
2944 1/8-1/8	G1/8	R1/8	6	21	16	38	21	18.5	14
2944 1/4-1/4	G1/4	R1/4	6	24.5	16	43.5	21	18.5	14

Mini ball valves, MINI version - Mod. 2945

2/2 in-line, Male BSPT Threads



Mod.	D	DN	E	G	L	M	N	SW
2945 1/8	R1/8	6	21	16	38.5	21	18.5	14
2945 1/4	R1/4	6	24	16	43.5	21	18.5	14

Colored Interchangeable Clips Mod. C29

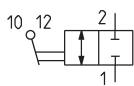
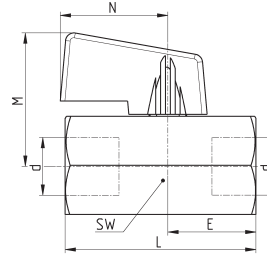


Mod.
C29-GREY
C29-RED
C29-BLUE

Mini ball valves, ECO version - Mod. 2953



2/2 in-line, Female-Female BSPP
Threads



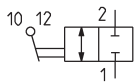
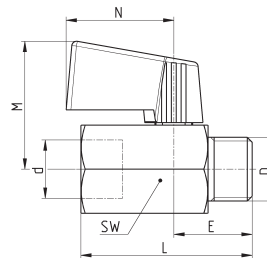
VN39

Mod.	d	DN	E	L	M	N	SW
2953 1/4	G1/4	8	18	39	27	22	20
2953 3/8	G3/8	8	21	42	27	22	20
2953 1/2	G1/2	10	23	47	29	22	24

Mini ball valves, ECO version - Mod. 2954



2/2 in-line, Male BSPP-Female BSPP
Threads



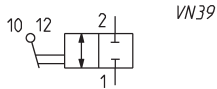
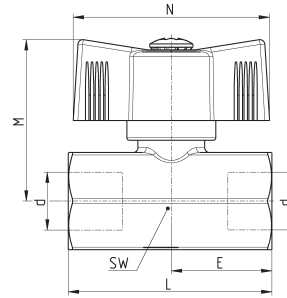
VN39

Mod.	d	D	DN	E	L	M	N	SW
2954 1/4-1/4	G1/4	G1/4	8	18	39	27	22	20
2954 3/8-3/8	G3/8	G3/8	8	19	40	27	22	20
2954 1/2-1/2	G1/2	G1/2	10	21	45	29	22	24

Mini ball valves, Butterfly version - Mod. 2963



2/2 in-line, Female-Female BSPP
Threads

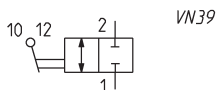
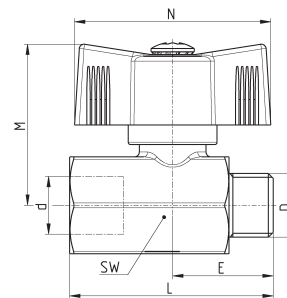


Mod.	d	DN	E	L	M	N	SW
2963 1/4	G1/4	8	21	41.5	33	40	20
2963 3/8	G3/8	8	21	41.5	33	40	20
2963 1/2	G1/2	10	24	47	34.5	40	24

Mini ball valves, Butterfly version - Mod. 2964



2/2 in-line, Male BSPP-Female BSPP
Threads

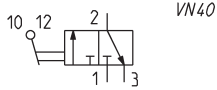
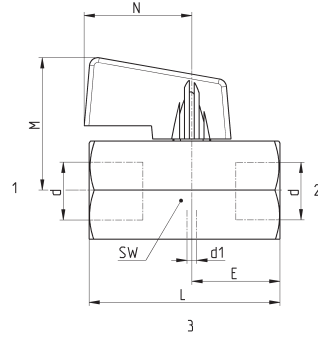


Mod.	d	D	DN	E	L	M	N	SW
2964 1/4-1/4	G1/4	G1/4	8	20.5	41.5	33	40	20
2964 3/8-3/8	G3/8	G3/8	8	20.5	41.5	33	40	20
2964 1/2-1/2	G1/2	G1/2	10	21	45	34.5	40	24

Mini ball valves, 3/2-way version - Mod. 2973



3/2 in-line, Female BSPP-Female BSPP Threads

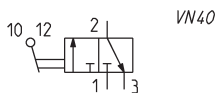
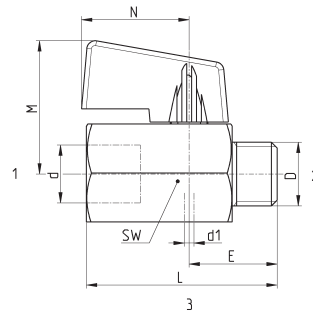


Mod.	d	DN	d1	E	L	M	N	SW
2973 1/4	G1/4	8	2	18	39	27	22	20
2973 3/8	G3/8	8	2	21	42	27	22	20
2973 1/2	G1/2	10	2	23	47	29	22	24

Mini ball valves, 3/2-way version - Mod. 2974



3/2 in-line, Male BSPP-Female BSPP Threads



Mod.	d	D	DN	d1	E	L	M	N	SW
2974 1/4-1/4	G1/4	G1/4	8	2	18	39	27	22	20
2974 3/8-3/8	G3/8	G3/8	8	2	19	40	27	22	20
2974 1/2-1/2	G1/2	G1/2	10	2	21	45	29	22	24