

Series 3 and 4 mechanically operated sensor valves

3/2 and 5/2-way
Ports G1/8, G1/4

SERIES 3 AND 4 MECHANICALLY OPERATED SENSOR VALVES



The particular mechanical device allows these end-stroke valves to operate with very low actuating forces.

Series 3 has been designed with a mechanical lever device which works in negative pressure. To increase sensitivity it is possible to add to the lever a steel extension with $\varnothing 3$ mm.

GENERAL DATA

Construction	spool-type (servocontrolled)
Valve group	3/2, 5/2 way/pos.
Materials	aluminium body, stainless steel spool, NBR seals
Ports	G1/8, G1/4
Ambient temperature	0°C + 60°C
Medium temperature	0°C + 50°C
Operating pressure	see models
Fluid	Filtered air, without lubrication. If lubricated air is used, it is recommended to use ISO VG32 oil. Once applied the lubrication should never be interrupted.

CODING EXAMPLE

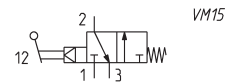
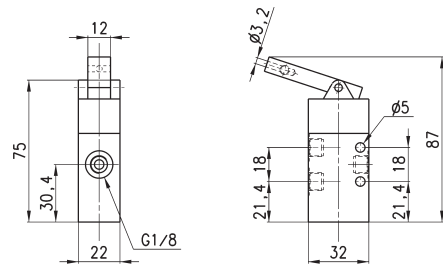
3	3	8	-	D15	-	9A5
3	SERIES: 3 4					
3	FUNCTION: 3 = 3/2-way NC 4 = 3/2-way NO 5 = 5/2-way					
8	PORTS: 8 = G1/8 4 = G1/4					
D15	ACTUATION: D15 = pressure drop/spring 015 = pressure/spring 011 = pressure/pressure					
9A5	DEVICES: 9A5 = lever sensor, spring return 194 = plunger sensor, spring return 294 = plunger sensor, bistable		195 = lever/roller, spring return 295 = lever/roller, bistable			

SERIES 3 AND 4 MECHANICALLY OPERATED SENSOR VALVES

Valve Mod. 338-D15-9A5



The function of the valve is indicated by the symbol when operating between 4 and 10 bar.

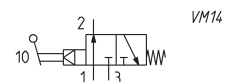
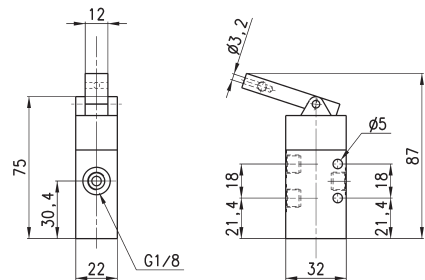


Mod.	Operating pressure (bar)	Flow rate (NI/min)	Actuating force at 6 bar (N)
338-D15-9A5	4 ÷ 10	700	2

Valve Mod. 348-D15-9A5



The function of the valve is indicated by the symbol when operating between 4 and 10 bar.

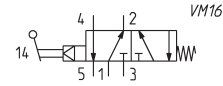
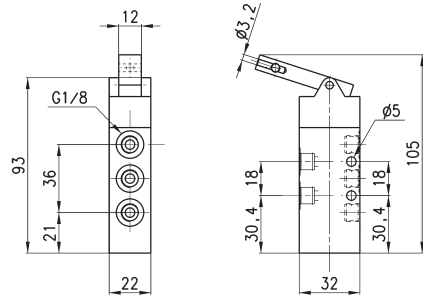


Mod.	Operating pressure (bar)	Flow rate (NI/min)	Actuating force at 6 bar (N)
348-D15-9A5	4 ÷ 10	700	2

Valve Mod. 358-D15-9A5

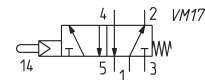
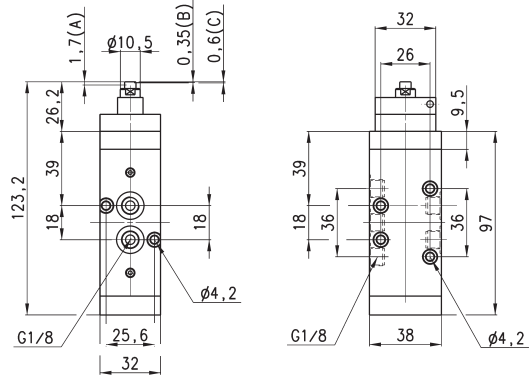


The function of the valve is indicated by the symbol when operating between 4 and 10 bar.



Mod.	Operating pressure (bar)	Flow rate (NL/min)	Actuating force at 6 bar (N)
358-D15-9A5	4 ÷ 10	700	2

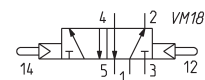
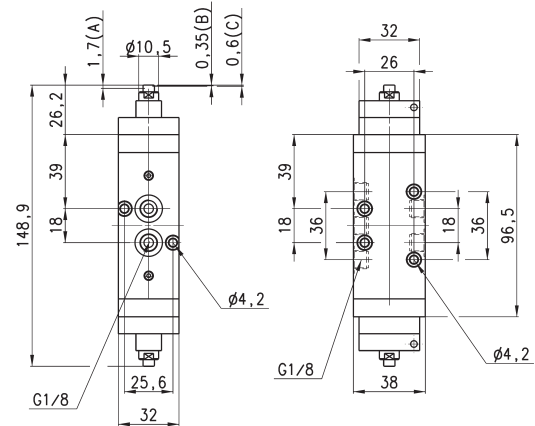
Valve Mod. 458-015-194



Mod.	Operating pressure (bar)	Flow rate (NL/min)	Actuating force at 6 bar (N)
458-015-194	2.5 ÷ 8	650	6

(A) = total stroke
(B) = pre-stroke
(C) = useful stroke

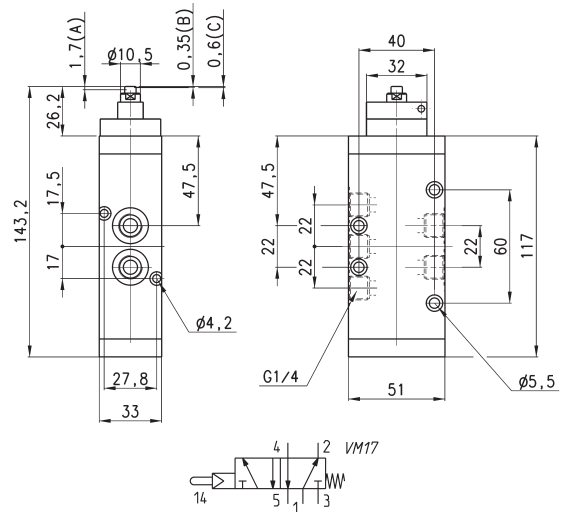
Valve Mod. 458-011-294



Mod.	Operating pressure (bar)	Flow rate (NL/min)	Actuating force at 6 bar (N)
458-011-294	2 ÷ 8	650	6

(A) = total stroke
(B) = pre-stroke
(C) = useful stroke

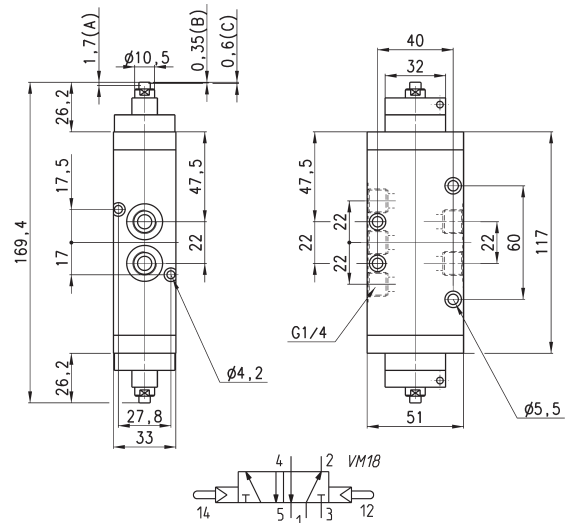
Valve Mod. 454-015-194



Mod.	Operating pressure (bar)	Flow rate (NI/min)	Actuating force at 6 bar (N)
454-015-194	2.5 ÷ 8	1250	6

(A) = total stroke
(B) = pre-stroke
(C) = useful stroke

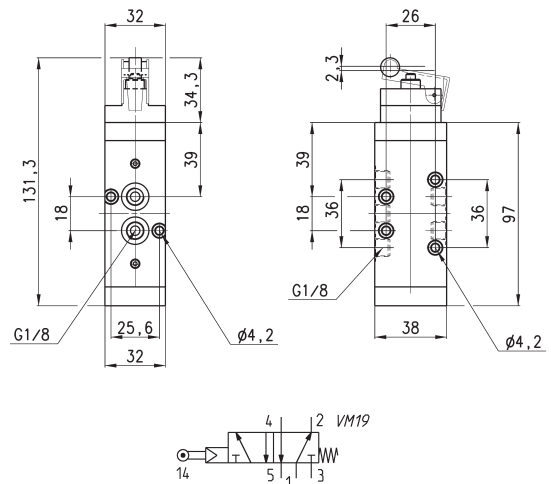
Valve Mod. 454-011-294



Mod.	Operating pressure (bar)	Flow rate (NI/min)	Actuating force at 6 bar (N)
454-011-294	2 ÷ 8	1250	6

(A) = total stroke
(B) = pre-stroke
(C) = useful stroke

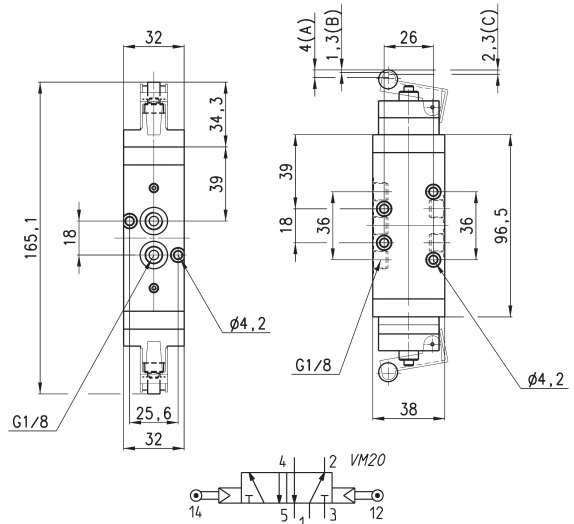
Valve Mod. 458-015-195



Mod.	Operating pressure (bar)	Flow rate (NI/min)	Actuating force at 6 bar (N)
458-015-195	2.5 ÷ 8	650	4

(A) = total stroke
(B) = pre-stroke
(C) = useful stroke

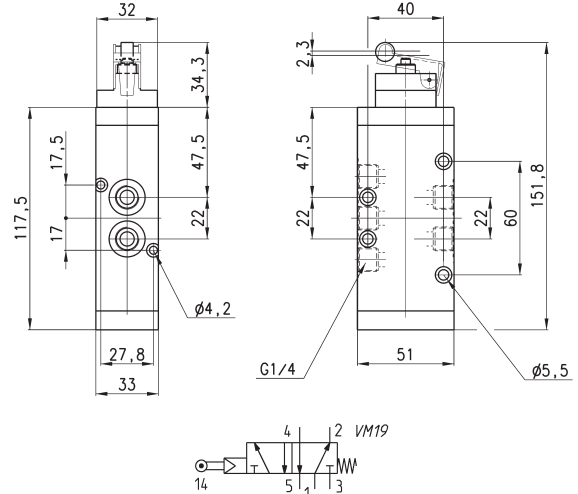
Valve Mod. 458-011-295



Mod.	Operating pressure (bar)	Flow rate (NL/min)	Actuating force at 6 bar (N)
458-011-295	2 ÷ 8	650	4

(A) = total stroke
(B) = pre-stroke
(C) = useful stroke

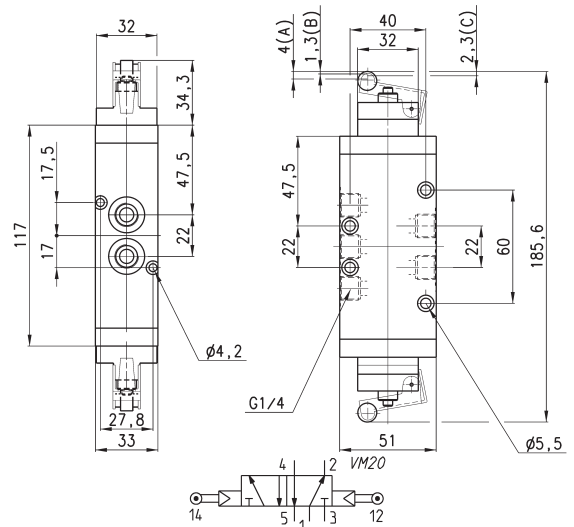
Valve Mod. 454-015-195



Mod.	Operating pressure (bar)	Flow rate (NL/min)	Actuating force at 6 bar (N)
454-015-195	2.5 ÷ 8	1250	4

(A) = total stroke
(B) = pre-stroke
(C) = useful stroke

Valve Mod. 454-011-295



Mod.	Operating pressure (bar)	Flow rate (NL/min)	Actuating force at 6 bar (N)
454-011-295	2 ÷ 8	1250	4

(A) = total stroke
(B) = pre-stroke
(C) = useful stroke