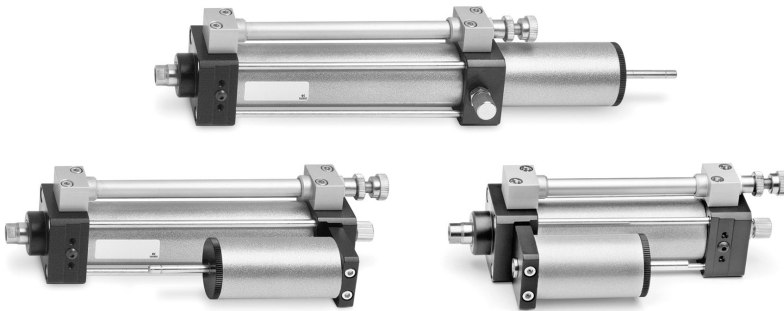


# Series 43 hydrochecks

Bore  $\varnothing$  40 mm  
Regulated thrust or return stroke  
Skip-Stop function

SERIES 43 HYDROCHECKS



Series 43 hydrocheck units are available with two different types of control: regulated outward movement and fast return; or fast outward movement and regulated return. These hydrochecks come complete with an oil surge tank which ensures automatic equalisation. Speed variation is obtained by means of an incorporated flow regulator designed to allow comprehensive and constant use.

Upon request, they can be supplied with an incorporated stop valve or an acceleration valve or both.

To restore oil when the minimum level in the surge tank is reached, use the following oil and pump Mod. 43N-PMP: hydraulic oil, class H, ISO symbol HG 46, viscosity 4.5 E. at 40°C.

## GENERAL DATA

Type of construction	with tie-rods
Operation	regulation of the hydrocheck's rod return (thrust) regulation of the hydrocheck's rod thrust (traction)
Controllable load	max. 600 Kgf without valves, max 500 Kgf with valves (including inertia of moving masses)
Operating temperature	-10°C ÷ +60°C
Media	hydraulic oil, class H, ISO symbol HG 46, viscosity 4.5 E. at 40°C
Speed	70 - 10000 mm/min without valves, 0 - 6000 mm/min with valves
Standard stroke	50, 100, 150, 200 (special stroke available on request)
Special designs	with STOP or SKIP and SKIP/STOP valve *
SKIP/STOP valve operating pressure	4 ÷ 8 bar
Type of mounting	feet Mod. B-40 (see B-41-40 for dimensions)

\* = minimum stroke 80mm

**CODING EXAMPLE**

<b>43</b>	<b>N</b>	-	<b>P</b>	<b>S</b>	<b>0</b>	-	<b>40</b>	-	<b>200</b>
-----------	----------	---	----------	----------	----------	---	-----------	---	------------

<b>43</b>	SERIES
<b>N</b>	VERSION N = standard S = special
<b>P</b>	TANK POSITION L = tank in series P = tank parallel D = double valve, tank parallel
<b>S</b>	REGULATION S = thrust (hydrocheck's rod return regulated) T = traction (hydrocheck's rod thrust regulated)
<b>0</b>	OPERATION A = SKIP valve B = SKIP + STOP valve * V = STOP valve O = standard
<b>40</b>	BORE 40mm
<b>200</b>	STROKE in mm

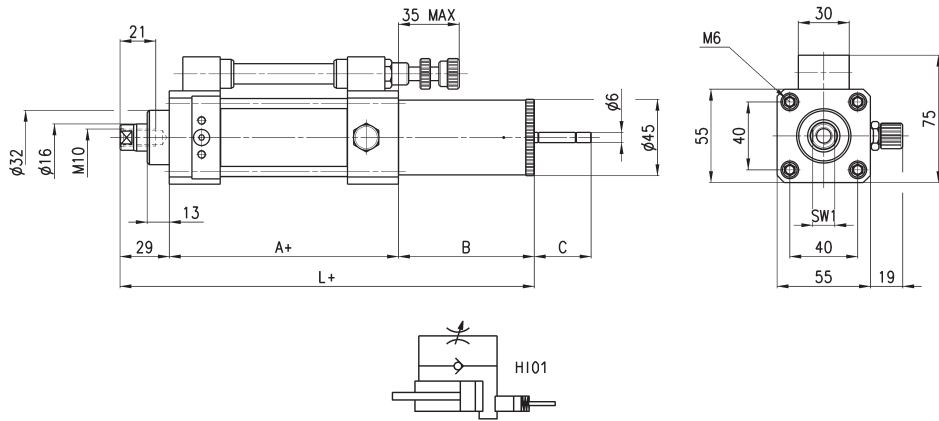
SERIES 43 HYDROCHECKS

\* = minimum stroke 80mm

**Hydrochecks Mod. 43N-LT0-40**



+ = add the stroke



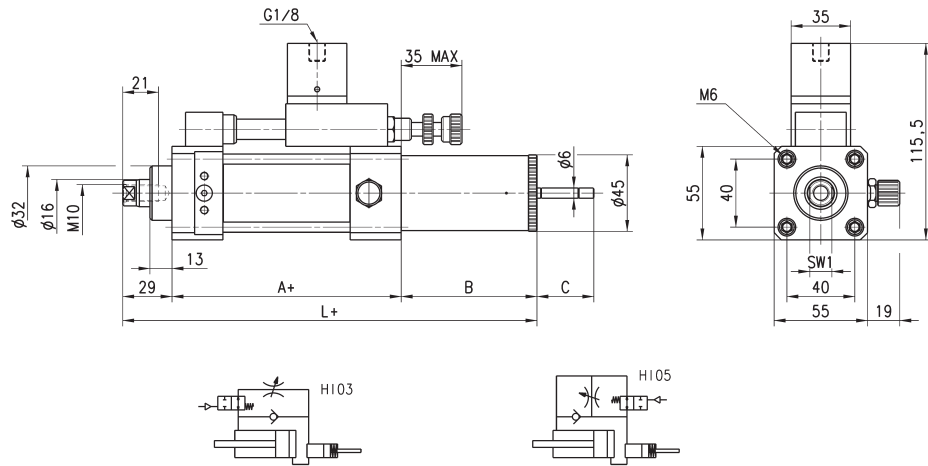
DIMENSIONS						
Mod.	Stroke (mm)	A+	B	C	L+	SW1
43N-LT0-40-050	50	85	80	32	194	13
43N-LT0-40-100	100	85	80	32	194	13
43N-LT0-40-150	150	85	100	47	214	13
43N-LT0-40-200	200	85	100	47	214	13

### Hydrochecks Mod. 43N-LTA-40 and 43N-LTV-40

On request



+ = add the stroke



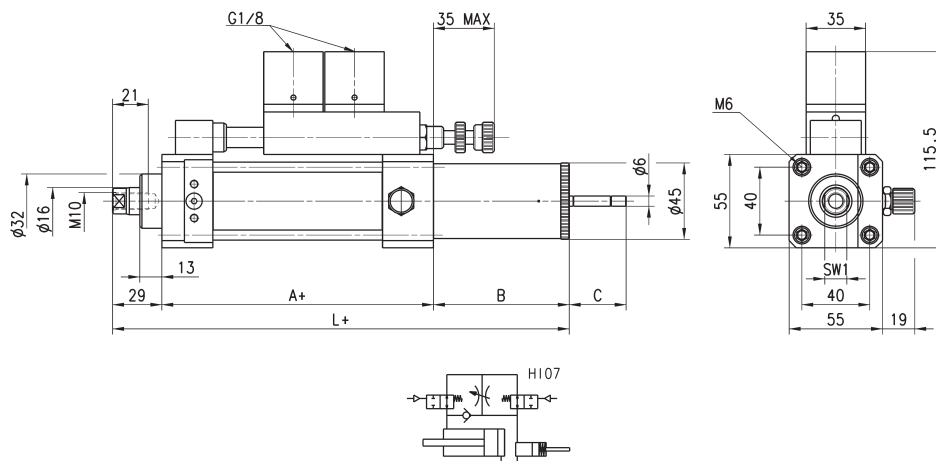
DIMENSIONS							
Mod.	Stroke (mm)	A+	B	C	L+	SW1	Pneumatic symbol
43N-LTA-40-050	50	85	80	32	194	13	HI05
43N-LTA-40-100	100	85	80	32	194	13	HI05
43N-LTA-40-150	150	85	100	47	214	13	HI05
43N-LTA-40-200	200	85	100	47	214	13	HI05
43N-LTV-40-050	50	85	80	32	194	13	HI03
43N-LTV-40-100	100	85	80	32	194	13	HI03
43N-LTV-40-150	150	85	100	47	214	13	HI03
43N-LTV-40-200	200	85	100	47	214	13	HI03

### Hydrochecks Mod. 43N-LTB-40

On request



+ = add the stroke



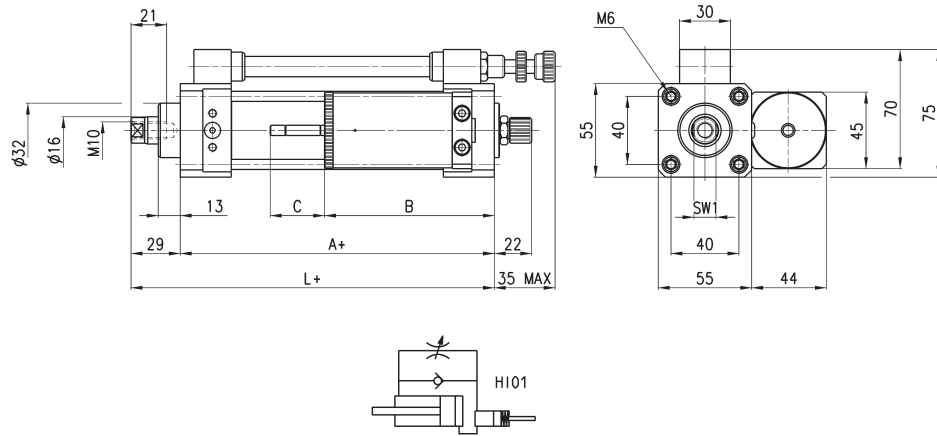
DIMENSIONS						
Mod.	Stroke (mm)	A+	B	C	L+	SW1
43N-LTB-40-050	50	85	80	32	194	13
43N-LTB-40-100	100	85	80	32	194	13
43N-LTB-40-150	150	85	100	47	214	13
43N-LTB-40-200	200	85	100	47	214	13

### Hydrochecks Mod. 43N-PTO-40

On request



+ = add the stroke

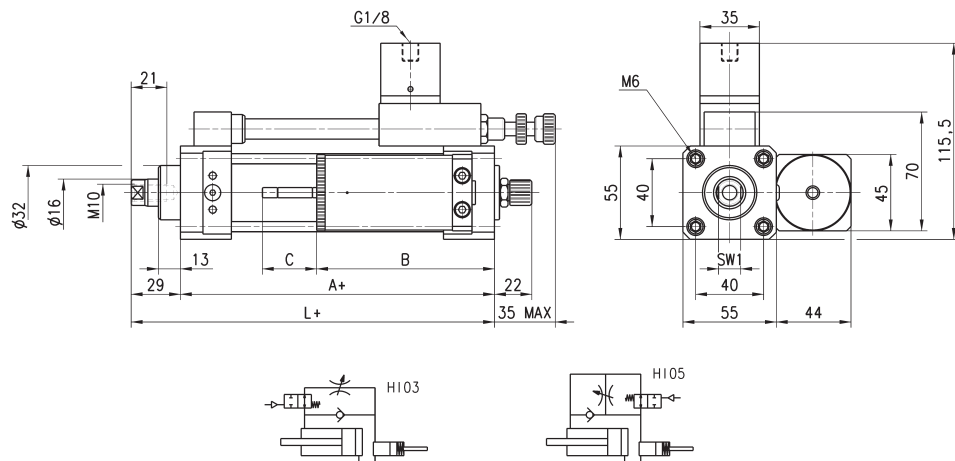


DIMENSIONS						
Mod.	Stroke (mm)	A+	B	C	L+	SW1
43N-PTO-40-050	50	85	100	32	114	13
43N-PTO-40-100	100	85	105	32	114	13
43N-PTO-40-150	150	85	125	47	114	13
43N-PTO-40-200	200	85	125	47	114	13

### Hydrochecks Mod. 43N-PTA-40 and 43N-PTV-40



+ = add the stroke

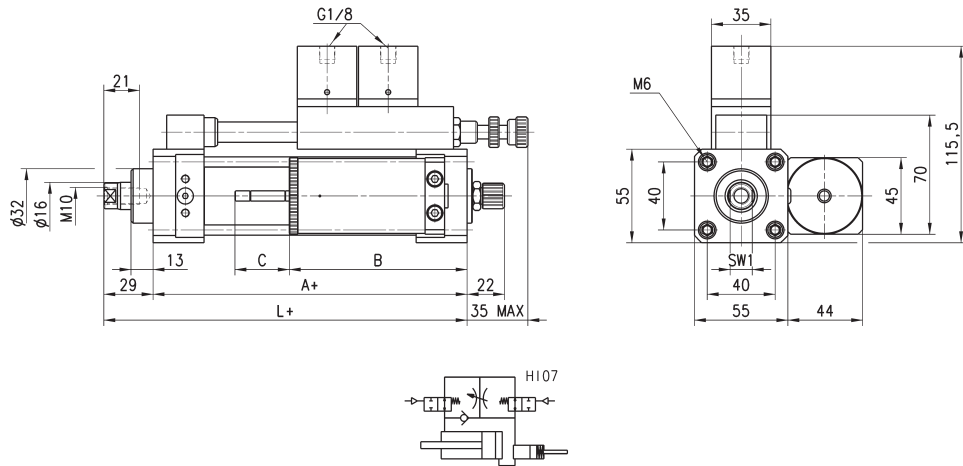


DIMENSIONS							
Mod.	Stroke (mm)	A+	B	C	L+	SW1	Pneumatic symbol
43N-PTA-40-050	50	85	100	32	114	13	H105
43N-PTA-40-100	100	85	105	32	114	13	H105
43N-PTA-40-150	150	85	125	47	114	13	H105
43N-PTA-40-200	200	85	125	47	114	13	H105
43N-PTV-40-050	50	85	100	32	114	13	H103
43N-PTV-40-100	100	85	105	32	114	13	H103
43N-PTV-40-150	150	85	125	47	114	13	H103
43N-PTV-40-200	200	85	125	47	114	13	H103

### Hydrochecks Mod. 43N-PTB-40



+ = add the stroke

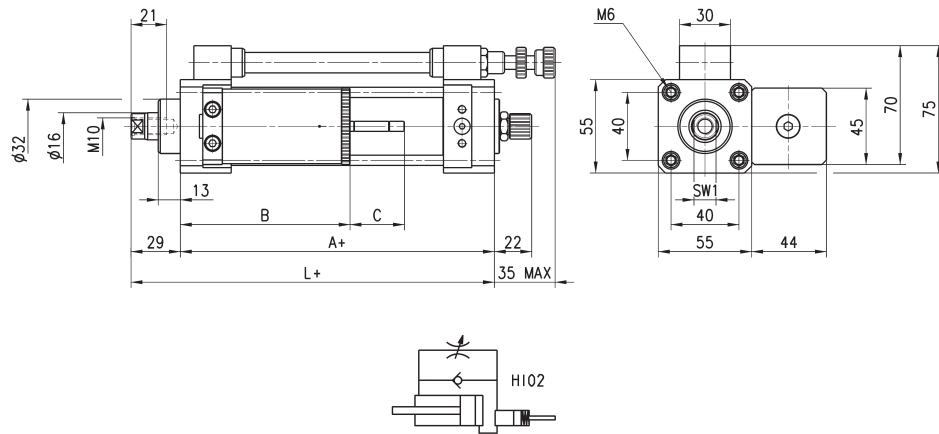


DIMENSIONS						
Mod.	Stroke (mm)	A+	B	C	L+	SW1
43N-PTB-40-050	50	85	100	32	114	13
43N-PTB-40-100	100	85	105	32	114	13
43N-PTB-40-150	150	85	125	47	114	13
43N-PTB-40-200	200	85	125	47	114	13

### Hydrochecks Mod. 43N-PS0-40



+ = add the stroke



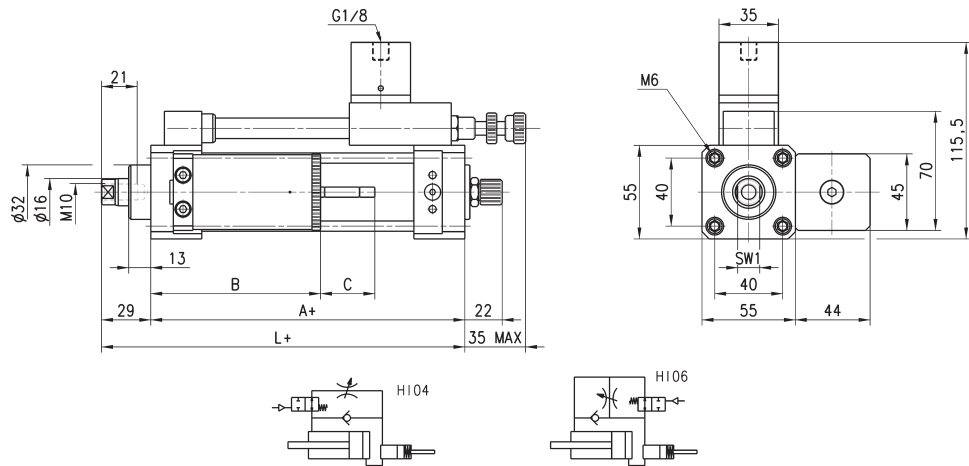
DIMENSIONS						
Mod.	Stroke (mm)	A+	B	C	L+	SW1
43N-PS0-40-050	50	85	100	32	114	13
43N-PS0-40-100	100	85	105	32	114	13
43N-PS0-40-150	150	85	125	47	114	13
43N-PS0-40-200	200	85	125	47	114	13

### Hydrochecks Mod. 43N-PSA-40 and 43N-PSV-40

On request



+ = add the stroke

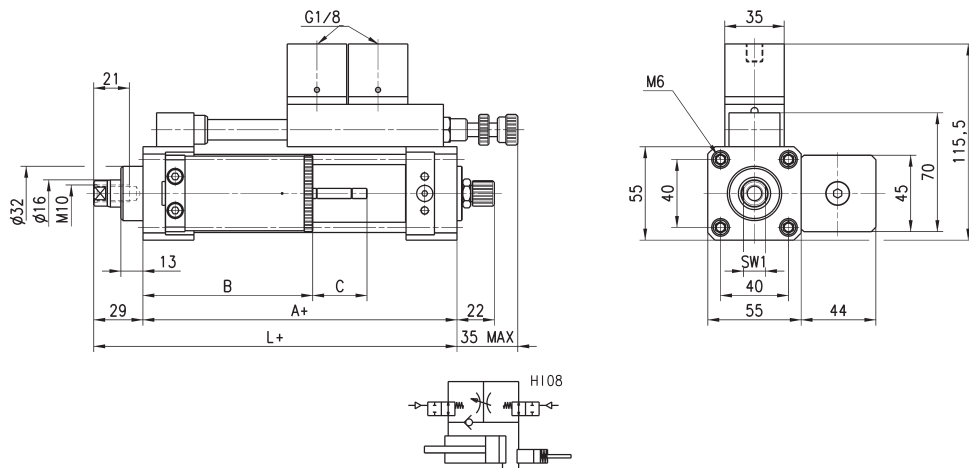


DIMENSIONS							
Mod.	Stroke (mm)	A+	B	C	L+	SW1	Pneumatic symbol
43N-PSA-40-050	50	85	100	32	114	13	HI06
43N-PSV-40-050	50	85	100	32	114	13	HI04
43N-PSA-40-100	100	85	105	32	114	13	HI06
43N-PSV-40-100	100	85	105	32	114	13	HI04
43N-PSA-40-150	150	85	125	47	114	13	HI06
43N-PSV-40-150	150	85	125	47	114	13	HI04
43N-PSA-40-200	200	85	125	47	114	13	HI06
43N-PSV-40-200	200	85	125	47	114	13	HI04

### Hydrochecks Mod. 43N-PSB-40



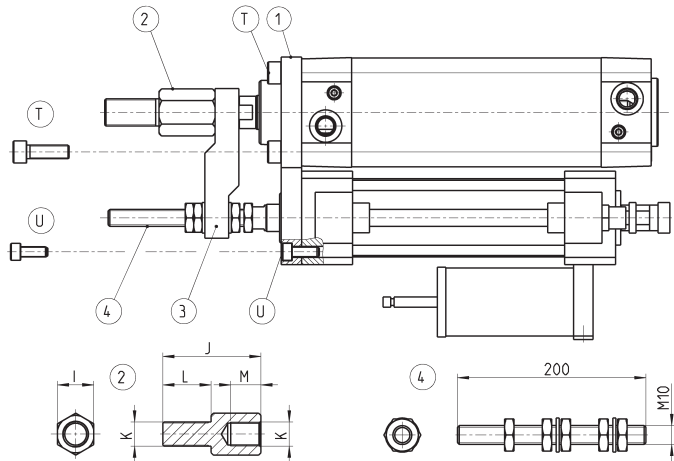
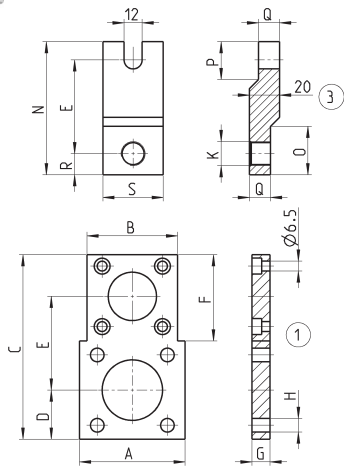
+ = add the stroke



DIMENSIONS						
Mod.	Stroke (mm)	A+	B	C	L+	SW1
43N-PSB-40-100	100	85	105	32	114	13
43N-PSB-40-150	150	85	125	47	114	13
43N-PSB-40-200	200	85	125	47	114	13

## Connecting kit Mod. 43N-40

Hydrocheck connecting kit to suit cylinders Ø 40 - 50 - 63 - 80 mm  
Material: phosphated steel



### DIMENSIONS

Mod.	A	B	C	D	E	F	G	H	I	J	K	L	M	N	O	P	Q	R	S	T (x4)	U (x4)
43N-40-40	60	-	110	26.5	56	-	12	7	19	47	M12X1.25	24	14	80	25	25	14	12	40	M6x25	M6x16
43N-40-50	70	60	122	32.5	62	57	12	9	24	65	M16X1.5	32	20	88	32	25	14	14	40	M8x25	M6x16
43N-40-63	80	60	132	37.5	67	57	20	9	24	65	M16X1.5	32	20	93	32	25	14	14	40	M8x35	M6x25
43N-40-80	100	60	152	47.5	77	57	20	11	30	78	M20X1.5	40	25	107	-	-	-	18	50	M10x35	M6x25

## Hydrocheck refilling pump Mod. 43N-PMP

Pump for refilling hydrocheck speed regulator



Mod.

43N-PMP