

# POSITIONING FEEDBACK CYLINDERS ISO 15552

## SERIES 6PF

Double-acting low friction, magnetic  
 ø 50, 63, 80, 100, 125 mm



- In compliance with ISO 15552 standard and with the previous DIN/ISO 6431 - VDMA 24562 standard
- Chrome plated steel rod
- Protection class IP67
- Minimal sliding speed of 5 mm/sec
- Minimal sliding pressure < 0,1 bar
- G variant for dusty applications (cement, resin, mud, residues from wood, etc...)
- ATEX version available

Series 6PF pneumatic actuators are equipped with a potentiometric linear position transducer integrated inside the rod. This type of cylinder allows, along the entire stroke, a constant control of the rod position which is read processing the change of the transducer internal resistance. The pistons have been equipped with a permanent magnet which enables the use of external end-stroke sensors. The dynamic seals are specific for low friction.

Thanks to the electrical connection, realized by means of an M12 male electric round connector positioned on the rear head, these cylinders fulfil the standards of IP67 protection class.

Series 6PF cylinders comply with the ISO 15552 standards and can be assembled with the entire range of standard accessories. They are available with bores from 50mm to 125mm with standard strokes from 50mm to 1000mm with intervals of 50mm.

The sturdy design, the flexible installation and the high performance make Series 6PF suitable for use in applications with tensioning cylinders, positioning cylinders and filling, cutting and measuring systems.

**POSITIONING FEEDBACK CYLINDERS ISO 15552**  
**SERIES 6PF - GENERAL DATA**
**GENERAL DATA**

<b>PNEUMATIC SECTION</b>	
<b>Construction</b>	inner tie-rods
<b>Operation</b>	double-acting low friction, not cushioned
<b>Materials</b>	see the table on the following page
<b>Mountings</b>	front and rear flange foot mounts front / rear / swivel / intermediate trunnion
<b>Bores</b>	50, 63, 80, 100, 125 mm
<b>Strokes min - max</b>	50 ÷ 1000 mm (step 50 mm)
<b>Operating temperature</b>	0°C ÷ 80°C (with dry air -20°C)
<b>Operating pressure</b>	0,1 ÷ 10 bar
<b>Speed (min - max)</b>	5 ÷ 1000 mm/sec (no load)
<b>Max acceleration</b>	10 m/sec <sup>2</sup>
<b>Fluid</b>	filtered air class 5.4.4 according to ISO 8573-1. If lubricated air is used, it is recommended to use oil ISOVG32. Once applied the lubrication should never be interrupted.
<b>Linearity</b>	0,1% of the stroke
<b>Repeatability</b>	0,03% of the stroke
<b>Resolution</b>	Infinite
<b>Hysteresis</b>	< di 0,5 mm
<b>Vibration test according EN 60068-2-6</b>	severity level 3
<b>Shock test according EN 60068-2-27</b>	severity level 2
<b>ELECTRICAL SECTION</b>	
<b>Electrical connection</b>	male connector M12 4 poles IP 67 (EN 60529)
<b>Max input voltage</b>	40 V (stroke 50 mm) 60 V (strokes from 100 to 500 mm)
<b>Max recommended cursor current</b>	< di 0,1 µA
<b>Electrical resistance</b>	5 kohm for strokes from 50 to 300 mm 10 kohm for strokes from 350 to 500 m
<b>Tolerance on resistance</b>	+/- 20%
<b>Max dissipation (40°C)</b>	1 W for stroke 50 mm 2 W for stroke 100 mm 3 W for strokes from 150 to 500 mm
<b>Suitable end-stroke sensors</b>	CST-532 (3 wires) CST-562 (M8)
<b>Suitable M12 connectors</b>	CS-LF04HB (connecteur droit femelle 4 pôles) CS-LR04HB (connecteur femelle à angle droit 4 pôles) CS-LF05HB-D200 (connecteur filaire femelle droit, 5 pôles, 2 mètres) ** CS-LF05HB-D500 (connecteur filaire femelle droit, 5 pôles, 5 mètres) ** CS-LR05HB-D200 (connecteur coudé à angle droit, femelle, 5 pôles, 2 mètres) ** CS-LR05HB-D500 (connecteur filaire femelle à angle droit 5 pôles, 5 mètres) **  ** la broche n° 5 ne doit pas être connectée

## STANDARD STROKES FOR SERIES 6PF CYLINDERS

✕ = Double-acting, low friction

∅	50	100	150	200	250	300	350	400	450	500	550	600	650	700	750	800	850	900	950	1000	
50	✕	✕	✕	✕	✕	✕	✕	✕	✕	✕	✕	✕	✕	✕	✕	✕	✕	✕	✕	✕	✕
63	✕	✕	✕	✕	✕	✕	✕	✕	✕	✕	✕	✕	✕	✕	✕	✕	✕	✕	✕	✕	✕
80	✕	✕	✕	✕	✕	✕	✕	✕	✕	✕	✕	✕	✕	✕	✕	✕	✕	✕	✕	✕	✕
100	✕	✕	✕	✕	✕	✕	✕	✕	✕	✕	✕	✕	✕	✕	✕	✕	✕	✕	✕	✕	✕
125	✕	✕	✕	✕	✕	✕	✕	✕	✕	✕	✕	✕	✕	✕	✕	✕	✕	✕	✕	✕	✕

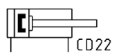
## CODING EXAMPLE

6PF	3	P	050	A	0200
<b>6PF</b>	SERIES				
<b>3</b>	OPERATION: 3 = double-acting low friction, no cushion				<b>PNEUMATIC SYMBOLS</b> CD22
<b>P</b>	MATERIALS: P = see the table on the following page				
<b>050</b>	BORES: 050 = 50 mm 063 = 63 mm 080 = 80 mm 100 = 100 mm 125 = 125 mm				
<b>A</b>	CONSTRUCTION: A = standard with rod nut RL = cylinder with rod lock				
<b>0200</b>	STROKES (see the table)				
	VERSIONS: = standard P = PU rod seal V = FKM rod seal L = without rod seal (rear supply only) * G = with brass rod scraper EX = ATEX ( _ _ _ ) = extended piston rod _ _ _ mm  * The possibility to order the cylinder without piston rod seal further reduces the friction force.				

## PNEUMATIC SYMBOLS

The pneumatic symbols which have been indicated in the CODING EXAMPLE are shown below.

### CD22

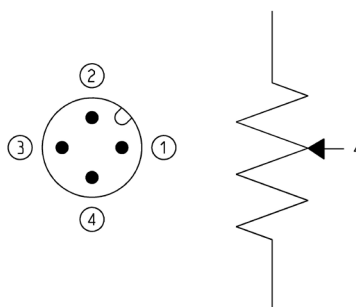
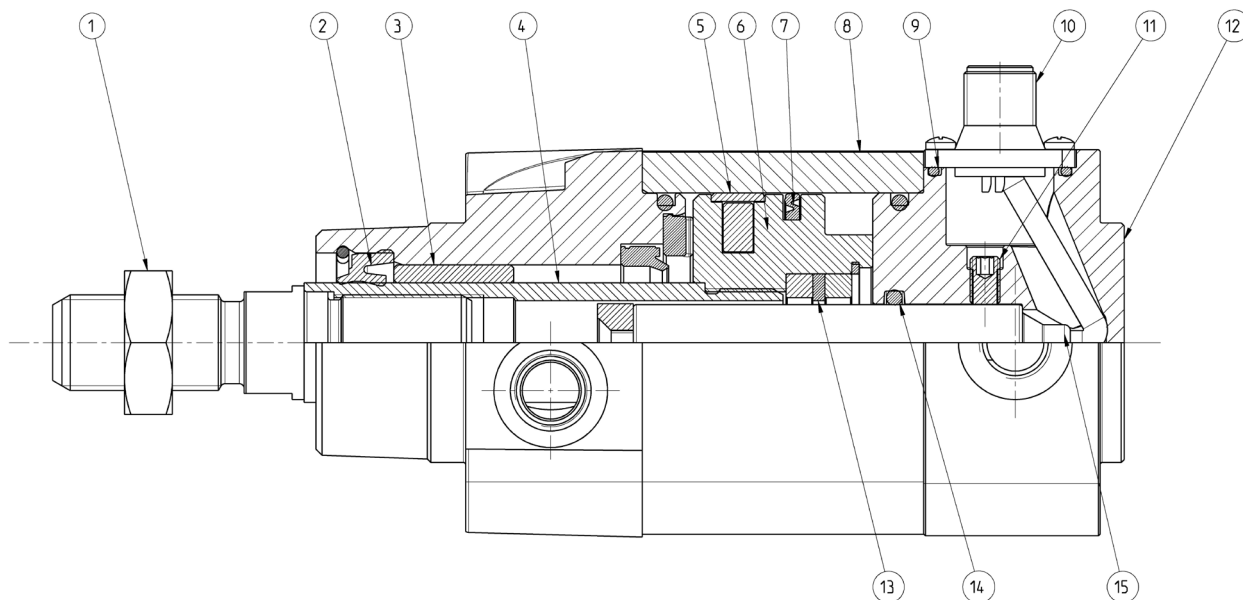


**GENERAL INFORMATION**

To function properly, the potentiometer must be used as a voltage divider and not as a variable resistor.  
 The measurement must be carried out detecting the voltage and not the resistance.  
 The electrical connection must be done at an high impedance inlet.  
 Information about pinout can be found in the instruction sheet or on the product itself.

PNEUMATIC ACTUATION

1



**NOTE TO THE CONNECTOR DRAWING:**  
 1, 3 = inlet voltage  
 4 = outlet signal  
 2 = not used

PARTS	Materials
1. Rod nut	Steel
2. Rod seal	NBR
3. Rod guide bush	Sintered bronze
4. Rod	Chrome plated steel
5. Piston guide element	Acetal resin
6. Piston	Aluminium
7. Piston seal	NBR
8. Extrusion profile	Anodized aluminium
9. OR seal	NBR
10. M12 connector	Nickel plated brass
11. Grain	Steel
12. Rear endcap	Aluminium
13. Magnetic actuator	Neodymium
14. OR seal	NBR
15. Positioning sensor	-

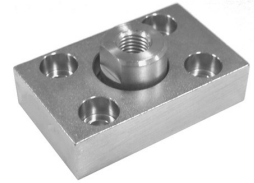
## CYLINDERS ACCESSORIES SERIES 6PF

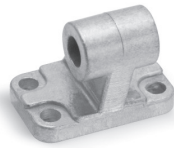
 Piston rod socket joint  
 Mod. GY

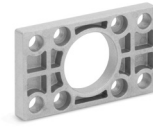
 Piston rod lock nut  
 Mod. U


Clevis pin Mod. S


 Rear trunnion ball-joint  
 Mod. R

 Coupling piece Mod.  
 GKF

 Swivel ball joint Mod.  
 GA

 90° male trunnion Mod.  
 ZC

 Swivel Combination  
 Mod. C+L+S

 Front and rear flange  
 Mod. D-E

 Self aligning rod Mod.  
 GK

 Centre trunnion Mod.  
 F

 Foot mount Mod.  
 B-41

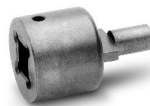
 Front female trunnion  
 Mod. H and C-H

 Rear female trunnion  
 Mod. C and C-H


Rod fork end Mod. G


 Rear trunnion male  
 Mod. L

 Counter bracket for  
 centre trunnion Mod.  
 BF

 Disassemble cyl. key  
 Ø 80 and 100, round  
 tube

 Straight conn. for  
 power supply Mod. CS-  
 LF04HB

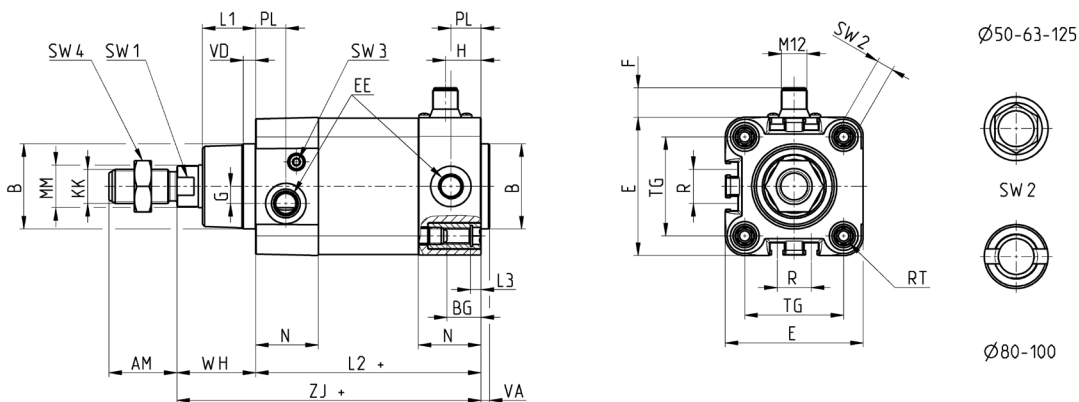
 Angular conn. for  
 power supply Mod. CS-  
 LR04HB

 Cable Mod. CS-  
 LF05HB-D...

 Cable Mod. CS-  
 LR05HB-D...


**POSITIONING FEEDBACK CYLINDERS ISO 15552**  
**SERIES 6PF - DIMENSIONAL CHARACTERISTICS**
**Series 6PF cylinders**

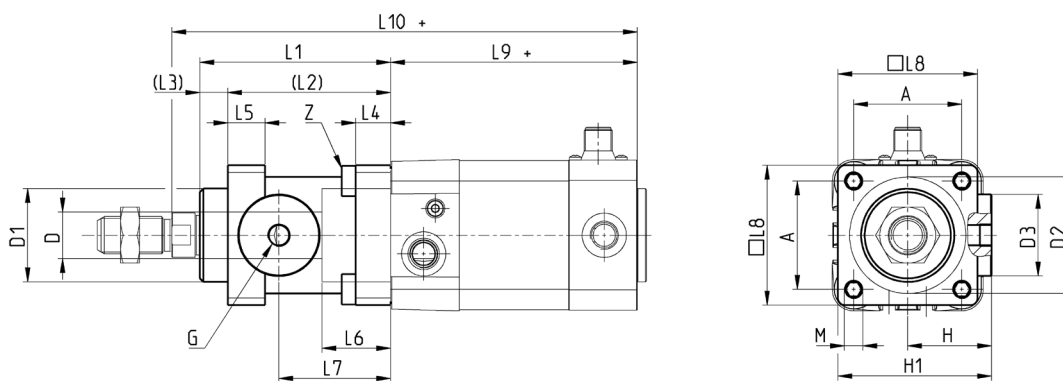
PNEUMATIC ACTUATION

**1**


+ = add the stroke

Ø	AM	B	BG	E	EE	F	G	H	KK	L1	L2	L3	MM	N	PL	R	RT	SW1	SW2	SW3	SW4	TG	VA	VD	WH	ZJ
50	32	40	16	64.5	G1/4	14	8	17	M16x1.5	25	106	5	20	29.5	15	16	M8	17	8	3	24	46.5	4	6	37	143
63	32	45	16	75	G3/8	14	8	24	M16x1.5	26	121	5	20	36.5	21	28	M8	17	8	3	24	56.5	4	6	37	158
80	40	45	19	93	G3/8	14	8	24	M20x1.5	30	128	0	25	36	21	30	M10	22	*	5	30	72	4	7	46	174
100	40	55	19.5	110	G1/2	14	8	26	M20x1.5	35	138	0	25	38.5	23	40	M10	22	*	5	30	89	4	7	51	189
125	54	60	23	135	G1/2	14	10.5	30	M27x2	42	160	0	32	43	23.5	50	M12	27	12	4	41	110	6	8	65	225

Table note: \* = special key 80-62/8C (see accessories)

**Series 6PF cylinders - with rod lock**


+ = add the stroke

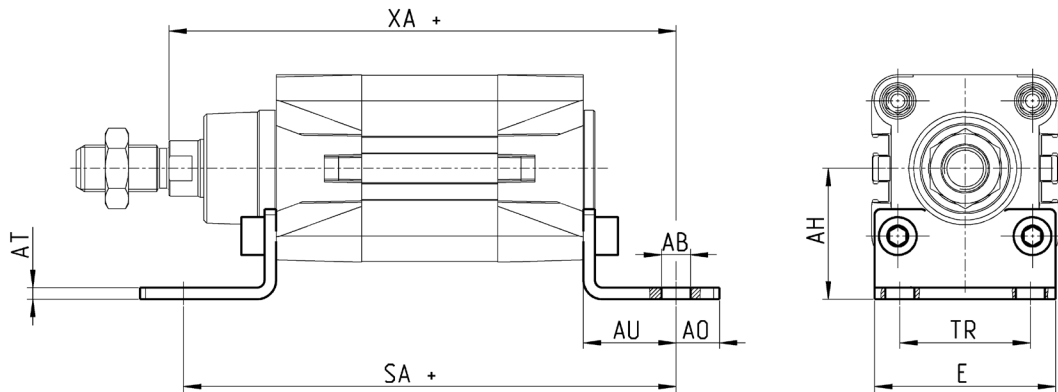
Ø	D	D1	D2	D3	A	G	H	H1	L1	L2	L3	L4	L5	L6	L7	L8	L9+	L10+	M	Z
50	20	40	50	35	46,5	G1/8	36	64	82	70	12	15	16	29,5	48	60	106	200	M8	M6x20
63	20	45	60	38	56,5	G1/8	40	75	82	70	12	15	16	29,5	49,5	70	121	215	M8	M8x30
80	25	45	80	48	72	G1/8	50	95	110	90	20	18	20	35	61	90	128	254	M10	M10x35
100	25	55	100	58	89	G1/8	58	110,5	115	100	15	18	20	39	69	105	138	269	M10	M10x35
125	32	60	130	65	110	G1/8	80	150	167	122	45	22	30	51	86,5	140	160	350	M12	M12x40

### Foot mount Mod. B



**Material:**  
zinc plated steel

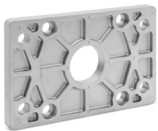
Supplied with:  
2x feet mount  
4x screws



+ = add the stroke

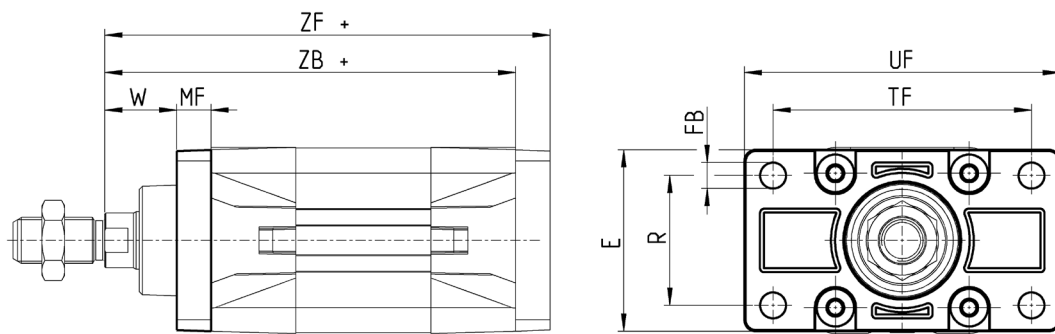
Mod.	Ø	AT	SA +	XA +	TR	E	AB	AH	AO	AU	Torque force
B-41-50	50	4	170	175	45	62,5	10	45	15	32	13 Nm
B-41-63	63	5	185	190	50	73	10	50	15	32	13 Nm
B-41-80	80	6	210	216	63	92	12	63	20	41	19 Nm
B-41-100	100	6	220	230	75	108,5	14,5	71	25	41	22 Nm
B-41-125	125	7	250	270	90	132	16,5	90	25	45	26 Nm

### Front flange Mod. D-E



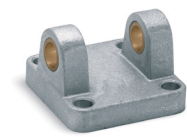
**Material:**  
aluminium for Ø 50 ÷ Ø 125

Supplied with:  
1x flange  
4x screws



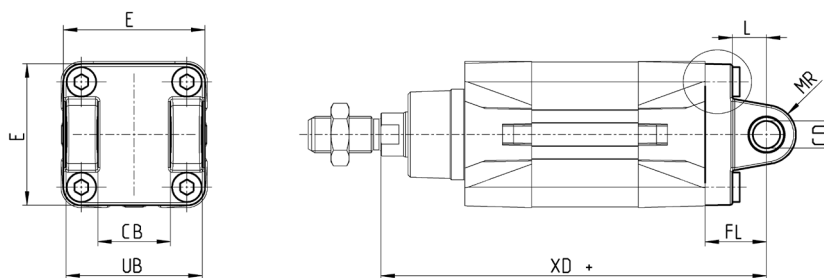
+ = add the stroke

Mod.	Ø	W	MF	ZB +	TF	R	UF	E	FB	ZF +	Torque force
D-E-41-50	50	25	12	143	90	45	110	65	9	155	13 Nm
D-E-41-63	63	25	12	158	100	50	120	75	9	170	13 Nm
D-E-41-80	80	30	16	174	126	63	148	95	12	190	19 Nm
D-E-41-100	100	35	16	189	150	75	176	115	14	205	22 Nm
D-E-41-125	125	45	20	225	180	90	220	140	16	245	26 Nm

**Rear female trunnion Mod. C**


**Material:**  
aluminium

Supplied with:  
1x female trunnion  
4x screws

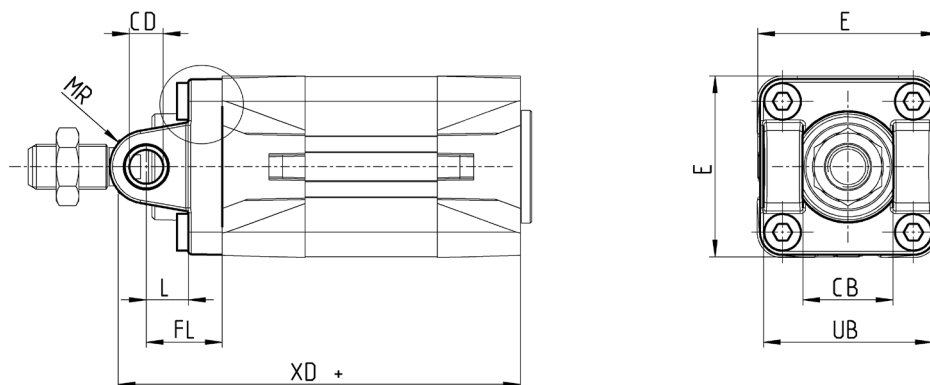


Mod.	∅	CD	L	FL	XD	MR	E	CB	UB	Torque force
C-41-50	50	12	16	27	170	12	64	32	60	13 Nm
C-H-41-63	63	16	21	32	190	16	74	40	70	13 Nm
C-H-41-80	80	16	22	36	210	16	94	50	90	19 Nm
C-H-41-100	100	20	27	41	230	20	114	60	110	22 Nm
C-H-41-125	125	25	30	50	275	25	32,5	70	130	26 Nm

**Front female trunnion Mod. H**


**Material:**  
Aluminium

Supplied with:  
1x female trunnion  
4x screws



Mod.	∅	CB	UB	E	XD+	FL	L	CD	MR	Torque force
H-41-50	50	32	60	64	143	27	16	12	12	13 Nm
H-60-63	63	40	70	74	158	32	21	16	16	13 Nm
C-H-41-80	80	50	90	94	174	36	22	16	16	19 Nm
C-H-41-100	100	60	110	114	189	41	27	20	20	22 Nm
C-H-41-125	125	70	130	140	225	50	30	25	25	26 Nm

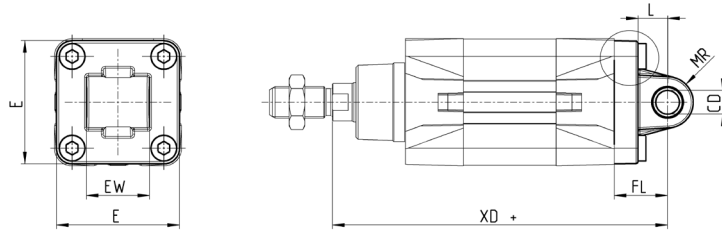


## Rear male trunnion Mod. L



**Material:**  
aluminium

Supplied with:  
1x male trunnion  
4x screws

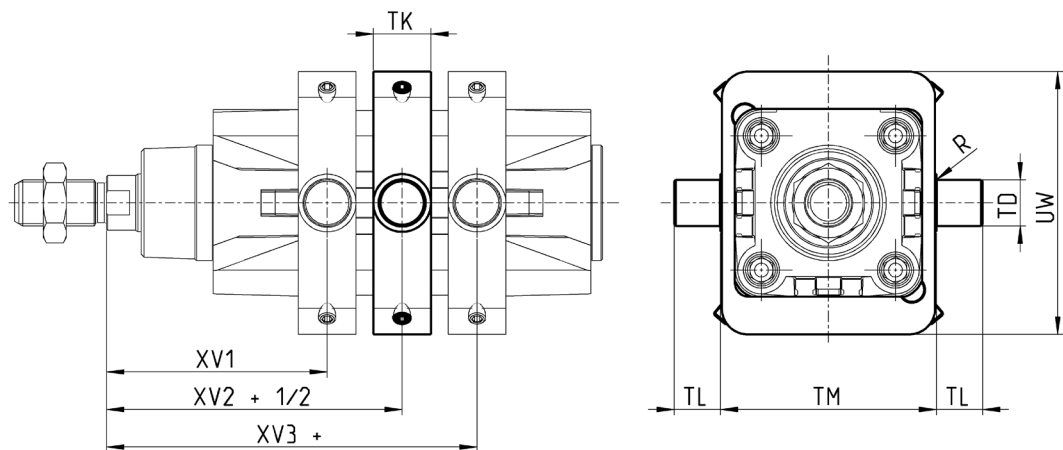


Mod.	∅	CD	L	FL	XD+	MR	E	EW	Torque force
L-41-50	50	12	16	27	170	12	64	32	13 Nm
L-41-63	63	16	21	32	190	15.5	74	40	13 Nm
L-41-80	80	16	22	36	210	16	94	50	19 Nm
L-41-100	100	20	27	41	230	20	114	60	22 Nm
L-41-125	125	25	30	50	275	25	140	70	26 Nm

## Centre trunnion Mod. F



Supplied with:  
1x centre trunnion  
4x screws  
4x fixing elements



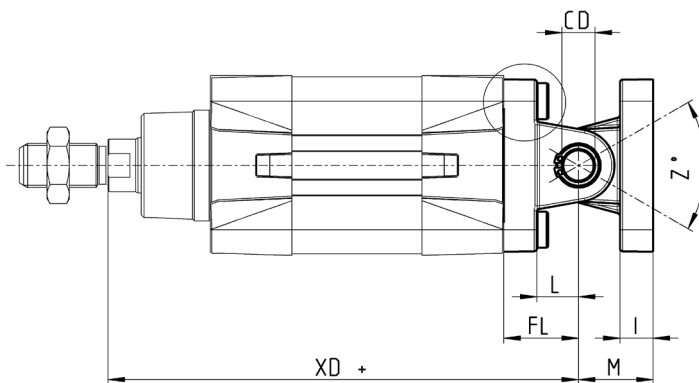
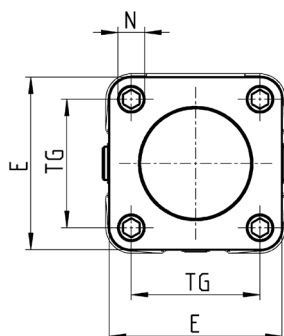
+ = add the stroke

Mod.	∅	XV1	XV2+	XV3+	TM	TK	TD	TL	UW	R
F-61-50	50	76,5	90	103,5	75	20	16	16	91	0,15
F-61-63	63	86	97,5	109	90	25	20	20	94	0,15
F-61-80	80	94,5	110	125,5	110	25	20	20	130	0,15
F-61-100	100	104,5	120	135,5	132	30	25	25	145	0,2
F-61-125	125	123	145	167	160	30	25	25	155	0,2

**Accessory combination Mod. C+L+S**

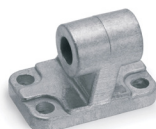
PNEUMATIC ACTUATION

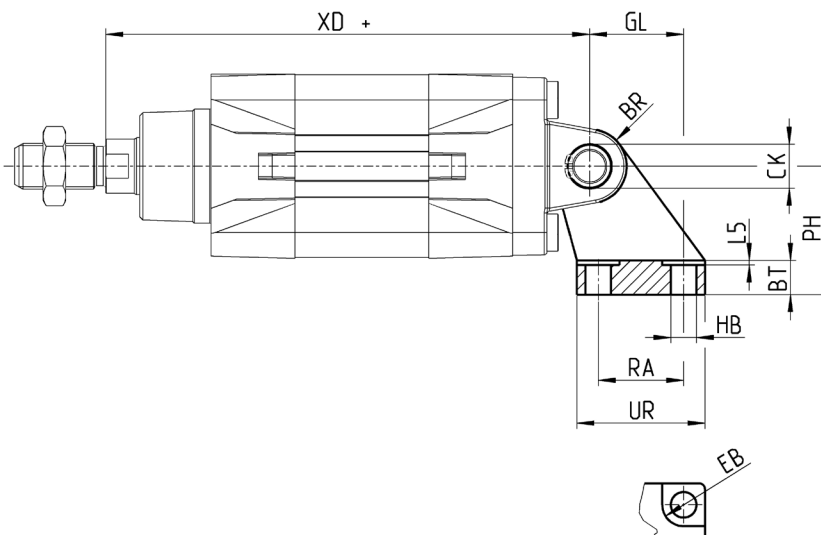
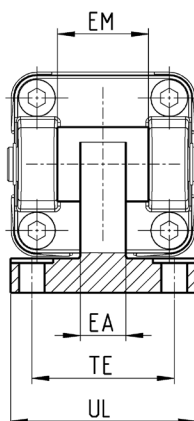
**1**

 Material:  
aluminium


+ = add the stroke

Mod.	∅	∅ <sub>CD</sub>	L	FL	XD +	TG	E	I	M	∅ <sub>N</sub>	Torque force
C+L+S	50	12	16	27	170	46,5	64	11	27	9	13 Nm
C+L+S	63	16	21	32	190	56,5	74	11	32	9	13 Nm
C+L+S	80	16	22	36	210	72	94	14	36	11	19 Nm
C+L+S	100	20	27	41	230	89	114	14	41	11	22 Nm
C+L+S	125	25	30	50	275	110	140	20	50	13	26 Nm

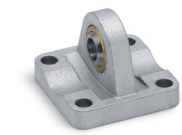
**90° male trunnion Mod. ZC**

 Material:  
aluminium

 Supplied with:  
1x male support


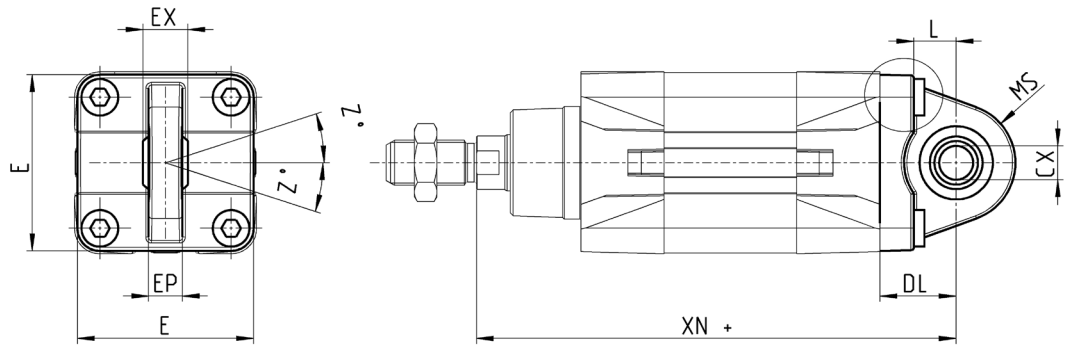
+ = add the stroke

Mod.	∅	EB	CK	HB	XD	TE	UL	EA	GL	L5	RA	EM	UR	PH	BT	BR
ZC-50	50	15	12	9	170	50	65	16	33	1,6	30	32	45	45	12	13
ZC-63	63	15	16	9	190	52	67	16	37	1,6	35	40	50	50	14	15
ZC-80	80	18	16	11	210	66	86	20	47	2,5	40	50	60	63	14	15
ZC-100	100	18	20	11	230	76	96	20	55	2,5	50	60	70	71	17	19
ZC-125	125	20	25	14	275	94	124	30	70	3,2	60	70	90	90	20	22,5

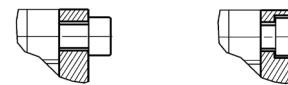
### Trunnion ball-joint Mod. R



**Material:**  
aluminium  
  
Supplied with:  
1x trunnion ball joint  
4x screws



Ø R-41-50/80/125



+ = add the stroke

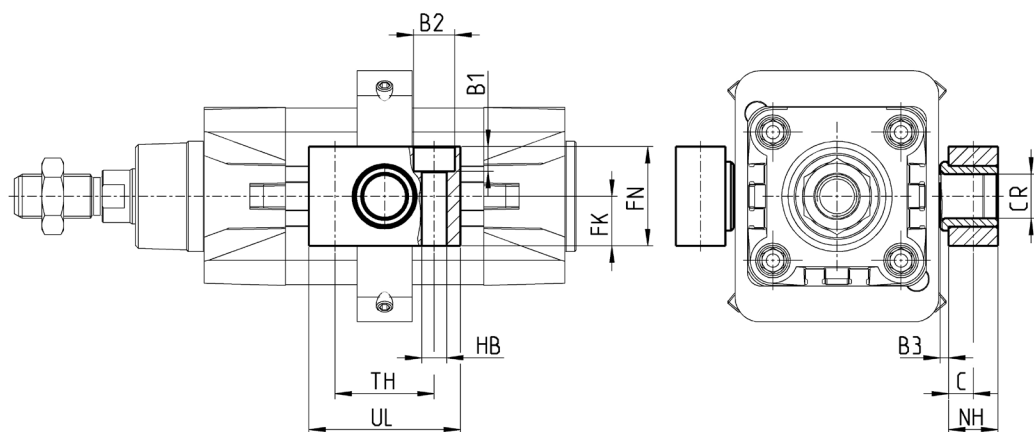
Mod.	Ø	CX	L	DL+	XN+	MS	E	EX	EP	Z	Torque force
R-41-50*	50	12	15	27	170	21	62.5	16	12	4	13 Nm
R-50	50	16	16	27	170	21.5	65	21	15	4	10 Nm
R-41-63	63	16	20	32	190	23	75	21	15	4	13 Nm
R-41-80*	80	16	24	36	210	28	92	21	15	4	19 Nm
R-80	80	20	22	36	210	28.5	95	25	18	4	15 Nm
R-41-100	100	20	25	41	230	30	115	25	18	4	22 Nm
R-41-125	125	30	30	50	275	40	140	37	25	4	26 Nm

\*This trunnion doesn't comply with the ISO 15552 standard

### Counter bracket for centre trunnion Mod. BF



**Material:**  
aluminium  
  
Supplied with:  
2x supports

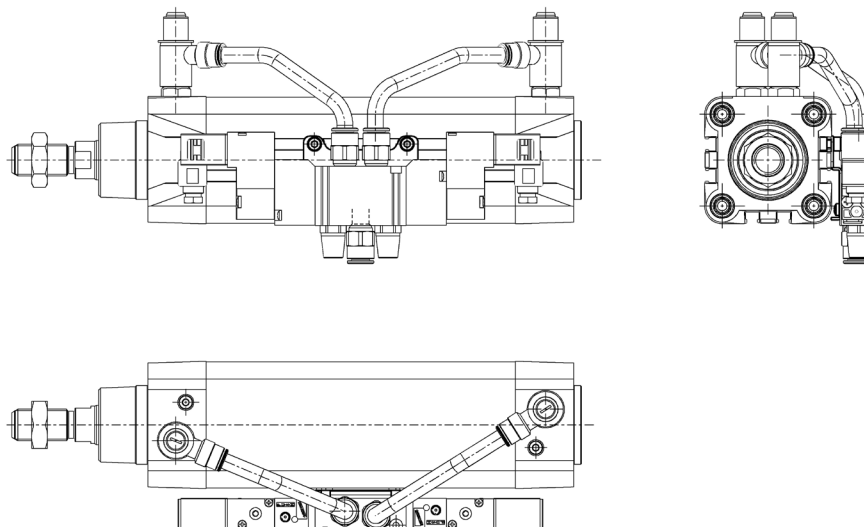


Mod.	Ø	ø <sub>CR</sub>	NH	C	B3	TH	UL	FK	FN	B1	ø <sub>B2</sub>	ø <sub>HB</sub>
BF-40-50	50	16	18	9	3	36	55	18	36	9	15	9
BF-63-80	63 - 80	20	20	10	3	42	65	20	40	11	18	11
BF-100-125	100 - 125	25	25	12,5	3,5	50	75	25	50	13	20	14

## Accessory to mount valves on the cylinder



The mounting sub-base Mod. PCV enables the valve or solenoid valve to be mounted directly on the cylinder.



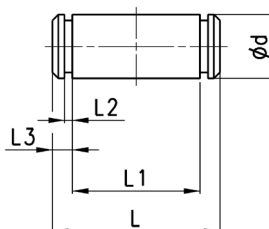
Mod.	
PCV-61-K3	to connect valves - solenoid valves Series 3
PCV-61-K4	to connect valves - solenoid valves Series 4 port G1/4
PCV-62-KEN	to connect valves - solenoid valves Series EN, Series D1, Series D2
PCV-61-K8	to connect valves - solenoid valves Series 4 port G1/8 and Series 3 port G1/4

## Clevis pin Mod. S



**Materials:**  
 Stainless steel Clevis pin,  
 Steel Seeger

Supplied with:  
 1x clevis pin  
 2x seeger in steel



Mod.	$\phi$	d	L	L1	L2	L3
S-50	50	12	67	61	1,1	3
S-63	63	16	77	71	1,1	3
S-80	80	16	97	91	1,1	3
S-100	100	20	121	111	1,3	5
S-125	125	25	140,5	132	1,3	4,25

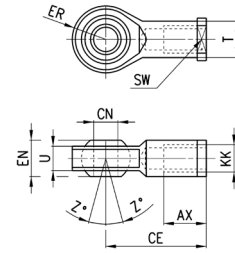
## Swivel ball joint Mod. GA



ISO 8139

Material:  
zinc-plated steel

Mod.	øCN	U	EN	ER	AX	CE	KK	T	Z	SW
GA-50-63	16	15	21	21	28	64	M16x1,5	22	7,5	22
GA-80-100	20	18	25	25	33	77	M20x1,5	27,5	7	30
GA-41-125	30	25	37	37	51	110	M27x2	40	7,5	41

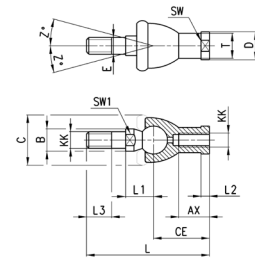


## Piston rod socket joint Mod. GY



Material:  
zama and zinc-plated steel

Mod.	ø	KK	L	CE	L2	AX	SW	SW1	L1	L3	T	D	E	B	C	Z
GY-50-63	50-63	M16x1,5	112	50	8	27	22	19	27,5	23	22	27	16	22	40	11
GY-80-100	80-100	M20x1,5	133	63	10	38	30	24	31,5	25	27,5	34	20	27	45	7,5



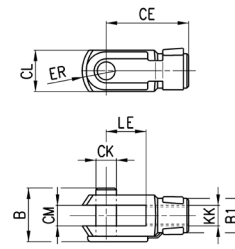
## Rod fork end Mod. G



ISO 8140

Material:  
zinc-plated steel

Mod.	øCK	LE	CM	CL	ER	CE	KK	B	øB1
G-50-63	16	32	16	32	19	64	M16x1,5	40	26
G-80-100	20	40	20	40	25	80	M20x1,5	48	34
G-41-125	30	54	30	55	38	110	M27x2	74	48



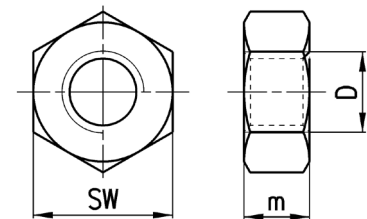
## Piston rod lock nut Mod. U



UNI EN ISO 4035

Material:  
zinc-plated steel

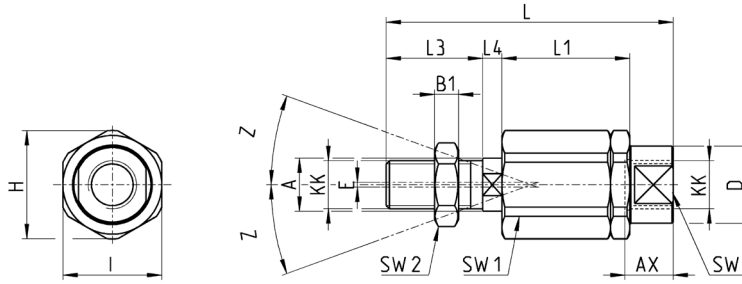
Mod.	D	m	SW
U-50-63	M16x1,5	8	24
U-80-100	M20x1,5	9	30
U-41-125	M27x2	12	41



### Self aligning rod Mod. GK



**Material:**  
zinc-plated steel

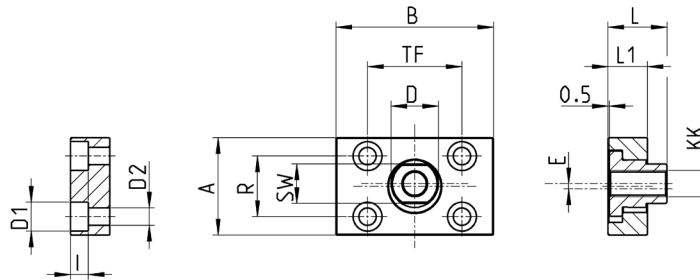


Mod.	∅	KK	L	L1	L3	L4	A	D	H	I	SW	SW1	SW2	B1	AX	Z	E
GK-50-63	50-63	M16x1,5	104	53	32	10	22	32	45	41	27	20	24	8	30	3	2
GK-80-100	80-100	M20x1,5	119	53	40	10	22	32	45	41	27	20	30	10	37	3	2
GK-125	125	M27x2	147	60	54	10	32	57	70	65	54	24	41	12	48	4	2

### Coupling piece Mod. GKF



**Material:**  
zinc-plated steel

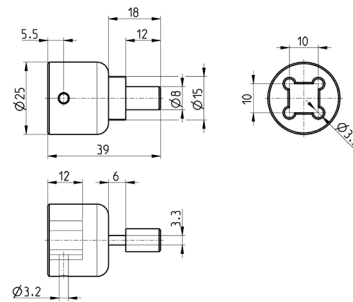


Mod.	∅	KK	A	B	R	TF	L	L1	I	∅ D	∅ D2	SW	E
GKF-50-63	50-63	M16x1,5	80	80	58	58	26,5	15	10,5	25	18	11	2,5
GKF-80-100	80-100	M20x1,5	90	90	65	65	32,5	20	13	30,5	20	14	2,5
GKF-125	125	M27x2	90	90	65	65	35,5	20	13	40	20	14	4

### Special key to disassemble cylinders ∅ 80 and 100



**Material:** hardened steel

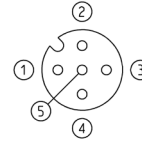
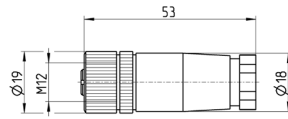


Mod.
80-62/8C

## Straight connector for power supply

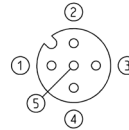
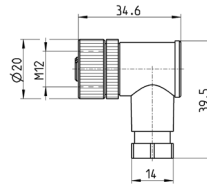


Connector for power supplies (PWR)



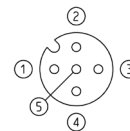
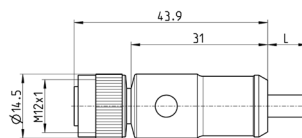
Mod.	Description	Type of connector	Connection		Cable length (m)
CS-LF04HB	for wiring	straight	M12 A 4 pin female -	Pin 5 is not connected	-

## Angular connector for power supply



Mod.	Description	Type of connector	Connection		Cable length (m)
CS-LR04HB	for wiring	90°	M12 A 4 pin female -	Pin 5 is not connected	-

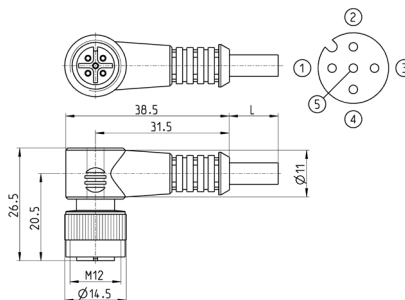
## Cable with M12 5 pin straight connector, female



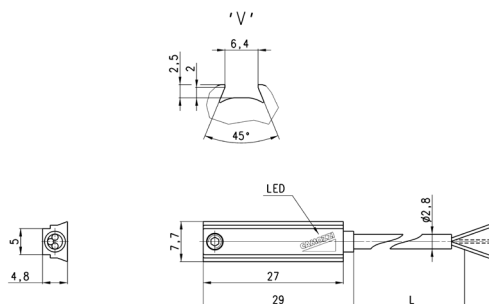
Mod.	Cable length (m)	Shielding	Pins
CS-LF05HB-C200	2	UNSHIELDED	5
CS-LF05HB-C500	5	UNSHIELDED	5
CS-LF05HB-D200	2	SHIELDED	5
CS-LF05HB-D500	5	SHIELDED	5

**POSITIONING FEEDBACK CYLINDERS ISO 15552**  
**SERIES 6PF - ACCESSORIES**
**Cable with M12 connector, 90°, female**

PNEUMATIC ACTUATION

**1**


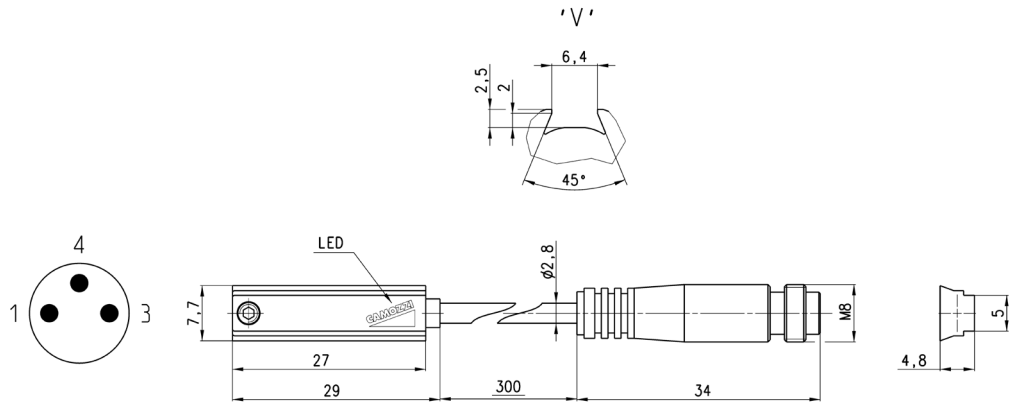
Mod.	Cable length (m)	Shielding	Pins
CS-LR05HB-C200	2	UNSHIELDED	5
CS-LR05HB-C500	5	UNSHIELDED	5
CS-LR05HB-D200	2	SHIELDED	5
CS-LR05HB-D500	5	SHIELDED	5

**Magnetic proximity switches with 2 or 3 wire cable for V-slot**


Mod.	Operation	Connections	Voltage	Output	Max. current	Max Load	Protection	L = length cable
CSV-220	Reed	2 wires	10 ÷ 110 VAC/DC-230 VAC	-	250 mA	10 VA / 8 W	None	2 m
CSV-232	Reed	3 wires	5 ÷ 30 VAC/DC	PNP	250 mA	10 VA / 8 W	Against polarity reversing	2 m
CSV-332	Magneto-resistive	3 wires	10 ÷ 27 V DC	PNP	100 mA	6 W	Against polarity reversing and overvoltage	2 m

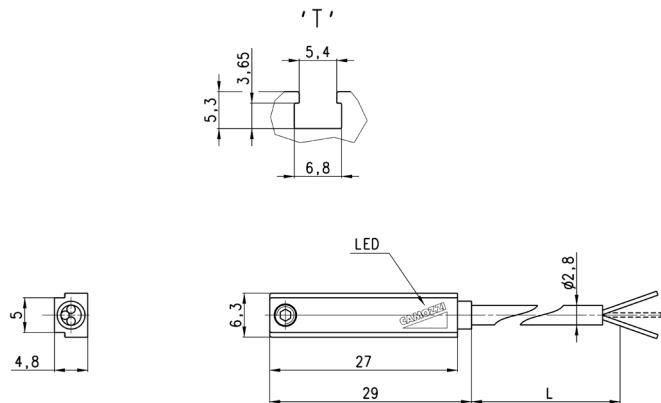


## Magnetic proximity switches with M8 3-pin connector for V-slot



Mod.	Operation	Connection	Voltage	Output	Max. current	Max Load	Protection
CSV-250N	Reed	2 wires M8 male 3 pin	10 ÷ 110 V AC/DC	-	250 mA	10 VA / 8 W	None
CSV-262	Reed	3 wires M8 male 3 pin	5 ÷ 30 V AC/DC	PNP	250 mA	10 VA / 8 W	Against polarity reversing
CSV-362	Magneto-resistive	3 wires M8 male 3 pin	10 ÷ 27 V DC	PNP	100 mA	6 W	Against polarity reversing and overvoltage

## Magnetic proximity switches with M8 3-pin connector for T-slot



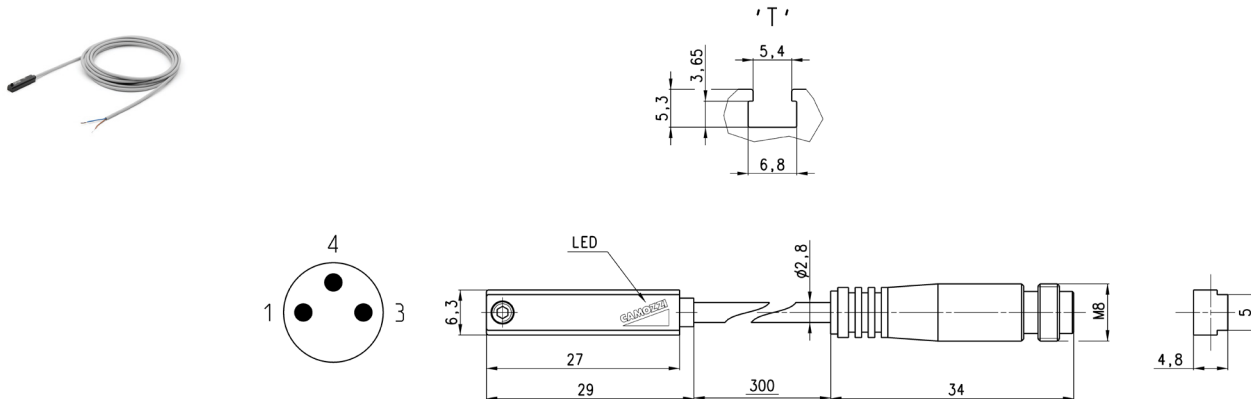
Mod.	Operation	Connection	Voltage	Output	Max. current	Max Load	Protection
CST-250N	Reed	2 wires M8 male 3 pin	10 ÷ 110 V AC/DC	-	250 mA	10 VA / 8 W	None
CST-250NEX	Reed	2 wires M8 male 3 pin	10 ÷ 110 V AC/DC	-	250 mA	10 VA / 8 W	None
CST-262	Reed	3 wires M8 male 3 pin	5 ÷ 30 V AC/DC	PNP	250 mA	10 VA / 8 W	Against polarity reversing
CST-262EX	Reed	3 wires M8 male 3 pin	5 ÷ 30 V AC/DC	PNP	250 mA	10 VA / 8 W	Against polarity reversing
CST-362	Magneto-resistive	3 wires M8 male 3 pin	10 ÷ 27 V DC	PNP	100 mA	6 W	Against polarity reversing and overvoltage
CST-362EX	Magneto-resistive	3 wires M8 male 3 pin	10 ÷ 27 V DC	PNP	100 mA	6 W	Against polarity reversing and overvoltage
CST-562	Hall effect	3 wires M8 male 3 pin	10 ÷ 27 V DC	PNP	100 mA	6 W	Against polarity reversing and overvoltage
CST-562EX	Hall effect	3 wires M8 male 3 pin	10 ÷ 27 V DC	PNP	100 mA	6 W	Against polarity reversing and overvoltage

Note for 2-wire switch Mod. CST-250N:  
in case of polarity reversing the sensor will still be operating, but the LED diode won't turn on

**POSITIONING FEEDBACK CYLINDERS ISO 15552**  
**SERIES 6PF - ACCESSORIES**
**Magnetic proximity switches with 2 or 3 wire cable for T-slot**

PNEUMATIC ACTUATION

1



Cable length: 0,3 m

Mod.	Operation	Connection	Voltage	Output	Max. current	Max Load	Protection
<b>CST-250N</b>	Reed	2 wires M8 male 3 pin	10 ÷ 110 V AC/DC	-	250 mA	10 VA / 8 W	None
<b>CST-250NEX</b>	Reed	2 wires M8 male 3 pin	10 ÷ 110 V AC/DC	-	250 mA	10 VA / 8 W	None
<b>CST-262</b>	Reed	3 wires M8 male 3 pin	5 ÷ 30 V AC/DC	PNP	250 mA	10 VA / 8 W	Against polarity reversing
<b>CST-262EX</b>	Reed	3 wires M8 male 3 pin	5 ÷ 30 V AC/DC	PNP	250 mA	10 VA / 8 W	Against polarity reversing
<b>CST-362</b>	Magneto-resistive	3 wires M8 male 3 pin	10 ÷ 27 V DC	PNP	100 mA	6 W	Against polarity reversing and overvoltage
<b>CST-362EX</b>	Magneto-resistive	3 wires M8 male 3 pin	10 ÷ 27 V DC	PNP	100 mA	6 W	Against polarity reversing and overvoltage
<b>CST-562</b>	Hall effect	3 wires M8 male 3 pin	10 ÷ 27 V DC	PNP	100 mA	6 W	Against polarity reversing and overvoltage
<b>CST-562EX</b>	Hall effect	3 wires M8 male 3 pin	10 ÷ 27 V DC	PNP	100 mA	6 W	Against polarity reversing and overvoltage

 Note for 2-wire switch Mod. CST-250N:  
 in case of polarity reversing the sensor will still be operating, but the LED diode won't turn on