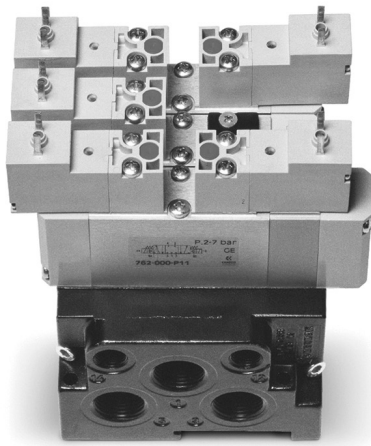


# Series 7 valves and solenoid valves

VDMA 24563 (ISO 15407-1)  
5/2 - 5/3-way CC CO CP



Size 26 mm (VDMA 24563-01)  
Size 18 mm (VDMA 24563-02)

## GENERAL DATA

<b>Construction</b>	balanced spool type
<b>Valve functions</b>	5/2 - 5/3-way CC CO CP
<b>Materials</b>	AL body, spool base, polyamide endcovers, NBR seals
<b>Mounting</b>	by means of screws on the base
<b>Ports</b>	on sub-base
<b>Operating temperature</b>	0° C min. +50° C max
<b>Fluid</b>	filtered air (5 micron or less), without lubrication. If lubricated air is used, it is recommended to use ISOVG32 oil. Once applied the lubrication should never be interrupted.
<b>Size</b>	26 mm 18 mm
<b>Installation</b>	in any position
<b>Operating pressure</b>	P. max 7 bar
<b>Nominal pressure</b>	6 bar
<b>Nominal flow</b>	Qn Size 26 mm = 900 NL/min Qn Size 18 mm = 450 NL/min
<b>Voltage</b>	see coding
<b>Voltage tolerance</b>	± 10%
<b>Power consumption</b>	2W
<b>Class of insulation</b>	class F
<b>Protection</b>	IP54 (IP65 with connector DIN 40050)

## CODING EXAMPLE

<b>7</b>	<b>5</b>	<b>1</b>	<b>-</b>	<b>N</b>	<b>1</b>	<b>A</b>	<b>-</b>	<b>P16</b>	<b>-</b>	<b>15</b>	<b>-</b>	<b>W</b>	<b>2</b>	<b>3</b>
----------	----------	----------	----------	----------	----------	----------	----------	------------	----------	-----------	----------	----------	----------	----------

<b>7</b>	SERIES:
<b>5</b>	NUMBER OF WAYS - POSITIONS: 5 = 5/2 6 = 5/3 CC 7 = 5/3 CO 8 = 5/3 CP
<b>1</b>	SIZES: 1 = size 26 mm 2 = size 18 mm
<b>N</b>	SUBBASE: N = sub-base with front outlets
<b>1</b>	PORTS: 1 = G1/4 (Size 26 mm) 2 = G1/8 (Size 18 mm)
<b>A</b>	NUMBER OF SUBBASES: A = 1 * B = 2 * C = 3 * D = 4 * E = 5 * F = 6 * G = 7 * H = 8 * K = 9 * L = 10 * M = 11 * N = 12 ** P = 13 ** R = 14 ** S = 15 *
<b>P16</b>	ACTUATION: 33 = pneumatic, bistable 36 = pneumatic, monostable P11 = electro-pneumatic, bistable P16 = electro-pneumatic, monostable
<b>15</b>	SOLENOID INTERFACE: 15 = 15x15
<b>W</b>	SOLENOID TYPES: W = Series W (24V - 48V DC only) P = Series P **
<b>2</b>	CONNECTION: 1 = wire 300 mm (Series W, 24V DC only) ** 2 = 2 pins (Series W, 24V - 48V DC) 5 = 2 pins+earth (Series P) **
<b>3</b>	SOLENOID VOLTAGE: 3 = 24V DC 4 = 48V DC ** 6 = 110V DC (with Series P solenoids only) ** B = 24V 50/60 Hz (with Series P solenoids only) ** C = 48V 50/60 Hz (with Series P solenoids only) ** D = 110V 50/60 Hz (with Series P solenoids only) **
	NOTES: * complete with the two end blocks ** on request

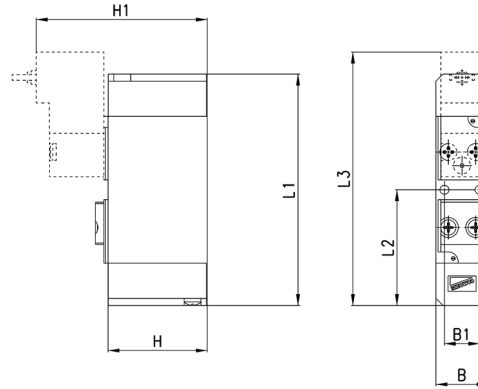
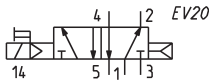
**5/2-way valves, ISO 26 mm - 18 mm monostable**



The Series 7 solenoid valves with interface ISO 26 mm and 18 mm which have electropneumatic actuation and spring return are suitable for mounting on a sub-base. For electrical actuation, 2 types of solenoid, Series W and Series P (available with a wide range of voltages, on request).

Connector Mod. 126-800.

The following is supplied:  
1x interface seal  
2x fixing screws



DIMENSIONS									
Mod.	Size ISO	B	B1	L1	L2	L3	H	H1	Min. operating pressure
751-000-P16-15-W20	26 mm	26,5	19	99,7	49,85	98,8	39	64,3	3 bar
752-000-P16-15-W20	18 mm	18,5	12,5	82,2	41,1	90	35,2	60,5	3 bar

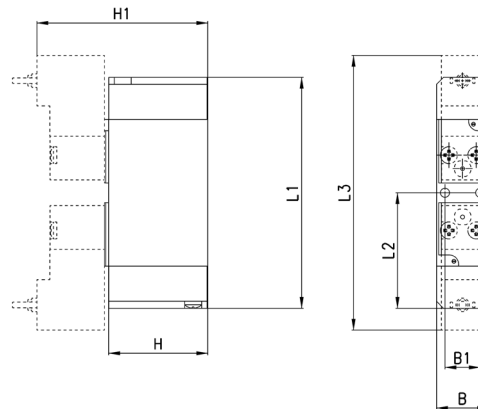
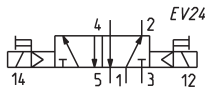
**5/2-way valves, ISO 26 mm - 18 mm, bistable**



The Series 7 solenoid valves with ISO 26 mm and 18 mm interface which have electropneumatic actuation and return are suitable for mounting on a sub-base. For electrical actuation, 2 types of solenoid Series W and Series P (available with a wide range of voltages, on request).

Connector Mod. 126-800.

The following is supplied:  
1x interface seal  
2x fixing screws



DIMENSIONS									
Mod.	Size ISO	B	B1	L1	L2	L3	H	H1	Min. operating pressure
751-000-P11-15-W20	26 mm	26,5	19	99,7	49,85	98,8	39	64,3	2 bar
752-000-P11-15-W20	18 mm	18,5	12,5	82,2	41,1	97,8	35,2	60,5	2 bar

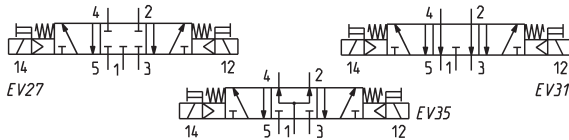
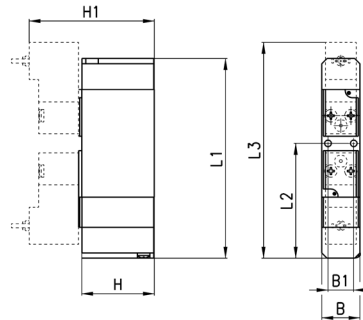
### 5/3-way valves, ISO 26 mm - 18 mm



The Series 7 solenoid valves with ISO 26 mm - 18 mm interface which have electropneumatic actuation and spring return are suitable for mounting on a sub-base. For electrical actuation, two types of solenoid Series W and Series P (are available with a large range of voltages, on request).

Connector Mod. 126-800.

The following is supplied:  
1x interface seal  
2x fixing screws



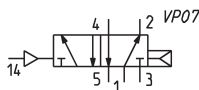
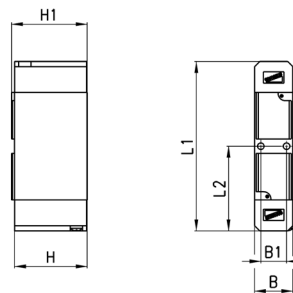
DIMENSIONS										
Mod.	Size ISO	B	B1	L1	L2	L3	H	H1	Min. operating pressure	Symbol
761-000-P11-15-W20	26 mm	26,5	19	111,7	61,85	110,8	39	64,3	3 bar	EV27
762-000-P11-15-W20	18 mm	18,5	12,5	96,7	55,6	104,5	35,2	60,5	3 bar	EV27
771-000-P11-15-W20	26 mm	26,5	19	111,7	61,85	110,8	39	64,3	3 bar	EV31
772-000-P11-15-W20	18 mm	18,5	12,5	96,7	55,6	104,5	35,2	60,5	3 bar	EV31
781-000-P11-15-W20	26 mm	26,5	19	111,7	61,85	110,8	39	64,3	3 bar	EV35
782-000-P11-15-W20	18 mm	18,5	12,5	96,7	55,6	104,5	35,2	60,5	3 bar	EV35

### 5/2-way valves ISO 26 mm - 18 mm, monostable



The Series 7 solenoid valves with ISO 26 mm and 18 mm interface which have pneumatic actuation and pneumatic spring return are suitable for mounting on a sub-base. For the correct use of the valve, the pilot pressure must be the same or higher than the operating pressure.

The following is supplied:  
1x interface seal  
2x fixing screws



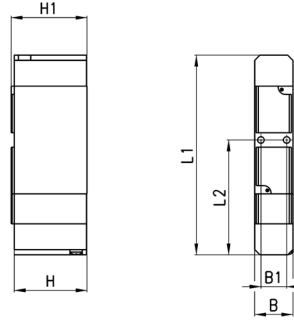
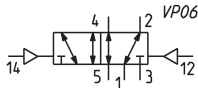
DIMENSIONS									
Mod.	Size ISO	B	B1	L1	L2	H	H1	Min. operating pressure	
751-000-36	26 mm	26,5	19	99,7	49,85	39	40,5	3 bar	
752-000-36	18 mm	18,5	12,5	82,2	41,1	35,2	36,7	3 bar	

### 5/2-way valves ISO 26 mm - 18 mm, bistable



The Series 7 solenoid valves with ISO 26 mm and 18 mm interface which have pneumatic actuation and return are suitable for mounting on a sub-base.

The following is supplied:  
1x interface seal  
2x fixing screws



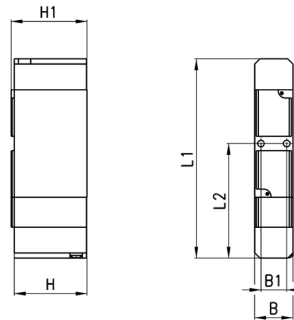
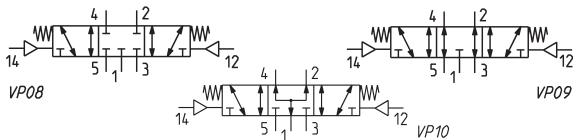
DIMENSIONS								
Mod.	Size ISO	B	B1	L1	L2	H	H1	Min. operating pressure
751-000-33	26 mm	26,5	19	99,7	49,85	39	40,5	2 bar
752-000-33	18 mm	18,5	12,5	82,2	41,1	35,2	36,7	2 bar

### 5/3-way valves, ISO 26 mm - 18 mm



The Series 7 solenoid valves with ISO 26 mm and 18 mm interface which have pneumatic actuation and mechanical spring return are suitable for mounting on a sub-base.

The following is supplied:  
1x interface seal  
2x fixing screws



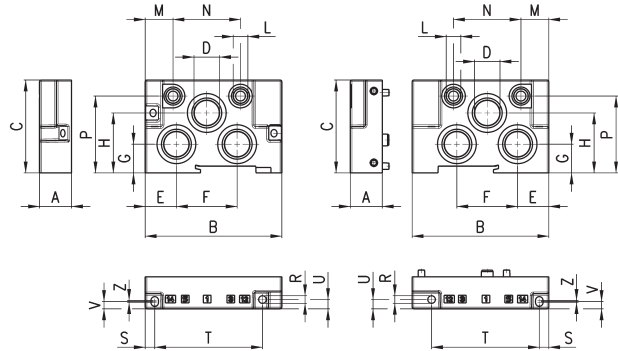
DIMENSIONS									
Mod.	Size ISO	B	B1	L1	L2	H	H1	Min. operating pressure	Symbol
761-000-33	26 mm	26,5	19	117,7	61,85	39	40,5	3 bar	VP08
762-000-33	18 mm	18,5	12,5	96,7	55,6	35,2	36,7	3 bar	VP08
771-000-33	26 mm	26,5	19	117,7	61,85	39	40,5	3 bar	VP09
772-000-33	18 mm	18,5	12,5	96,7	55,6	35,2	36,7	3 bar	VP09
781-000-33	26 mm	26,5	19	117,7	61,85	39	40,5	3 bar	VP10
782-000-33	18 mm	18,5	12,5	96,7	55,6	35,2	36,7	3 bar	VP10

### End blocks for subbase



End blocks for subbase with conveyed inlets and exhausts and front outlets.

The following is supplied:  
1x seal  
2x fixing screws



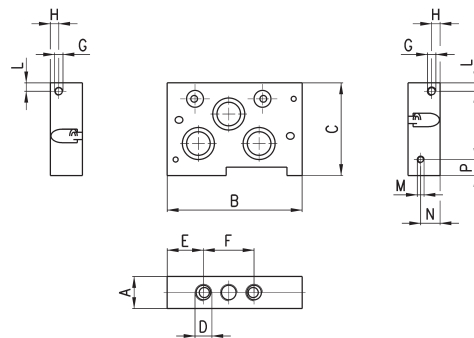
DIMENSIONS																			
Mod.	Size ISO	A	B	C	D	E	F	G	H	L	M	N	P	R	S	T	U	V	Z
701C-HN1	26 mm	27	107	65	G1/2	23	60	24,5	43	G1/8	21,5	58	55,5	4,5	7,5	61,5	6	6,2	4
702C-HN2	18 mm	19	81	55	G3/8	18,5	36	17	35,5	G1/8	16,5	40	45,5	4,5	4,65	63,85	5,5	4,35	1,3

### Intermediate supply module



Intermediate supply module for manifold bases with conveyed inlets and exhausts and front outlets.

The following is supplied:  
1x seal  
2x fixing screws



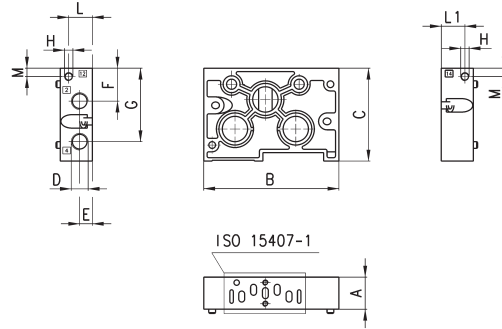
DIMENSIONS													
Mod.	Size ISO	A	B	C	D	E	F	G	H	L	M	N	P
701C-N1N	26 mm	27	100	65	G1/4	29	42	M5	6,5	10	M4	10	10
702C-N2N	18 mm	19	81	55	G1/8	22,5	28	M5	5	5	M4	11,5	9,5

## Subbase for manifolds



Manifold subbase with conveyed inlets and exhausts and front outlets.

The following is supplied:  
1x seal  
2x fixing screws

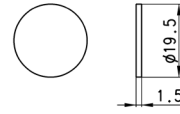


### DIMENSIONS

Mod.	Size ISO	A	B	C	D	E	F	G	H	L	L1	M
<b>701C-N1A</b> for pneumatic valves	26 mm	27	107	65	G1/4	11	23	53	M5	20,7	20,7	6,5
<b>702C-N2A</b> for pneumatic valves	18 mm	19	81	55	G1/8	7,5	19,5	44,5	M5	13	6	7
<b>701C-N1C</b>	26 mm	27	107	65	G1/4	11	23	53	M5	20,7	20,7	6,5
<b>702C-N2C</b>	18 mm	19	81	55	G1/8	7,5	19,5	44,5	M5	13	6	7

### Diaphragm cover for subbase

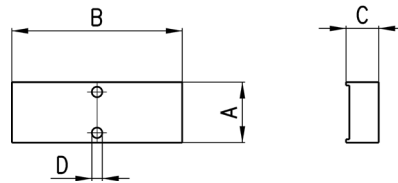
Diaphragm for subbase with conveyed inlet and exhausts and side outlets.



Mod.
701C-N1A-TP
702C-N2A-TP

### Excluder tap for subbase

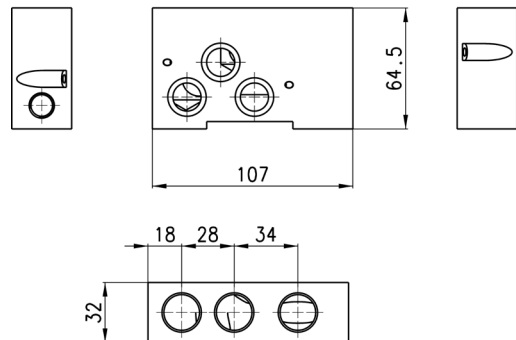
The following is supplied:  
1x seal  
2x screws



DIMENSIONS					
Mod.	Size ISO	A	B	C	D
701-TP	26 mm	26,5	61,7	10	4,2
702-TP	18 mm	18,5	52,2	10	3,2

### Interface between ISO 01 and ISO 02

The following is supplied:  
1x tap S2610 3/8  
5x OR  
2x screws



Mod.
701C-702C-A