

Pressure booster Series BPA



Size: 40



- » Easy and flexible installation
- » Focused pressure increase
- » Optimisation of the pneumatic circuit
- » Energy efficient

This pressure booster, with ratio of 1:2, increases outlet pressure by up to 20 bar. It operates automatically when needed to generate a constant pressure increase while its mechanical design guarantees quick and easy installation, minimises heat generation and improves machine safety.

Two versions are available, with or without an integrated regulator that allows to adjust the desired outlet pressure and enables the efficient management of energy consumption.

It offers a compact, functional design with rapid filling times that makes the Series BPA ideal for applications where high pressure is only needed at specific points in the pneumatic circuit such as woodworking, marble and glass processing or with testing and assembly machines.

General data

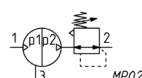
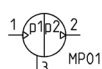
Multiplication Ratio	2
Inlet pressure	2-10 bar
Operating temperature	0-50 C°
Mounting position	any position
Flow rate (Pin = Pout = 5 bar)	250 l/min ANR
Pneumatic connection	G1/4"
Weight (standard version)	0.85 Kg
Weight (version with regulator)	1.1 Kg
Materials	Die cast AL body - Stainless steel rod - Seals NBR

CODING EXAMPLE

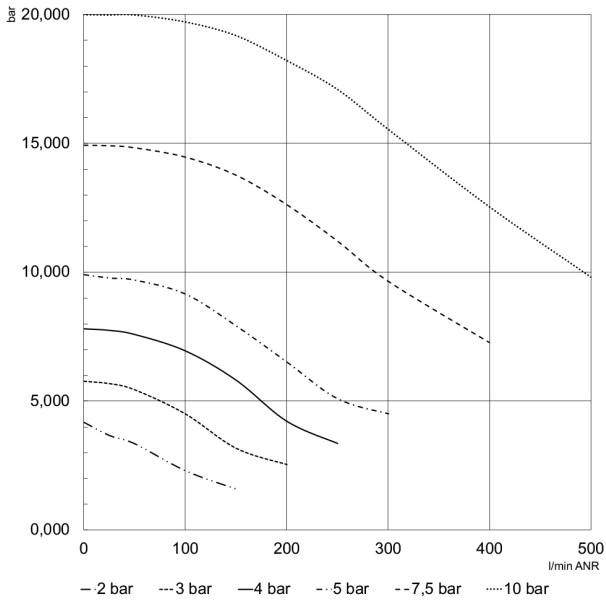
BPA	-	040	-	R1
------------	---	------------	---	-----------

BPA	SERIES
040	SIZE: 40
R1	REGULATOR = without regulator R1 = with regulator (P.IN 2-8bar - P.OUT 0-10bar) R2 = with regulator (P.IN 2-10bar - P.OUT 0-16bar)

PNEUMATIC SYMBOLS

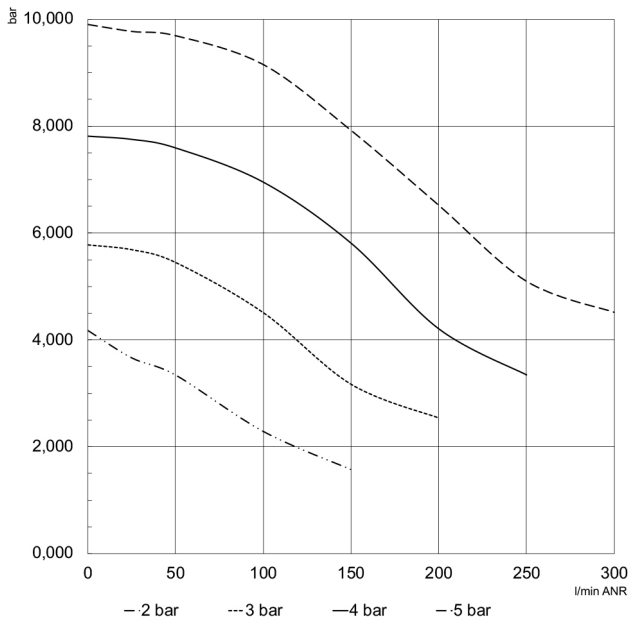


Booster flow rate without regulator



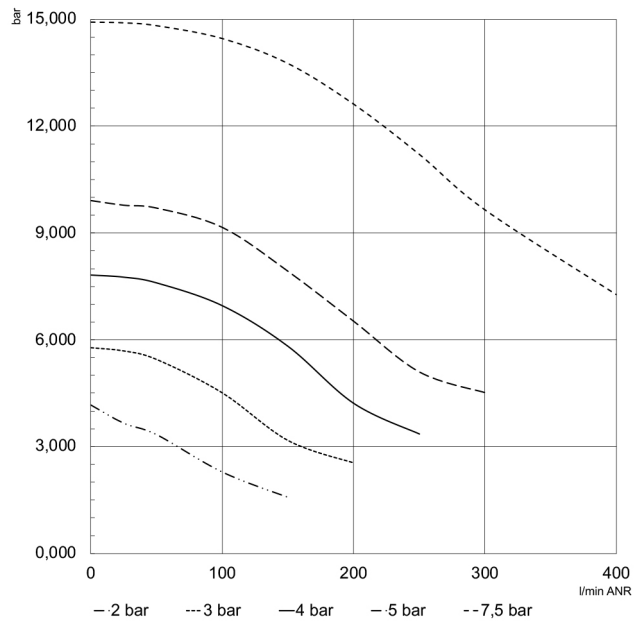
Booster flow rate with regulator

BPA-040-R1



P.IN MAX = 8 bar
P.OUT MAX = 10 bar

BPA-040-R2

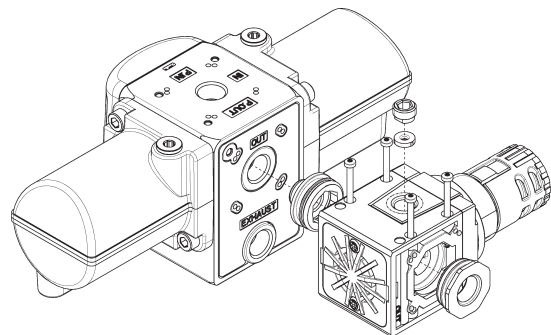
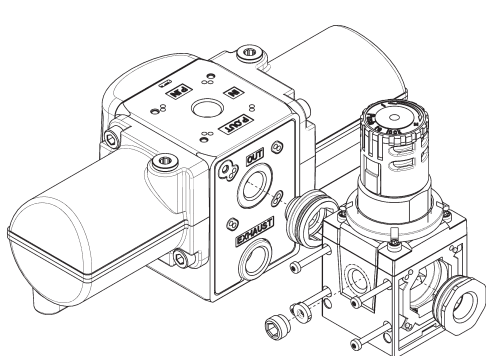
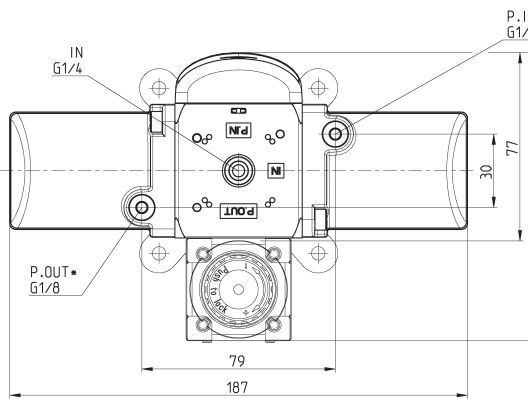
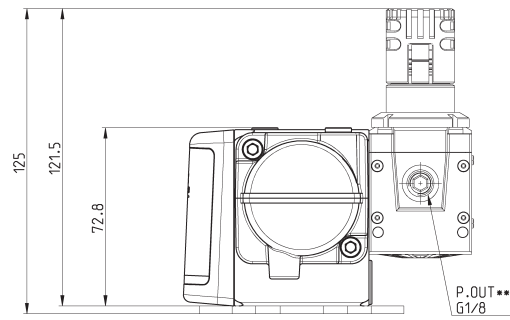
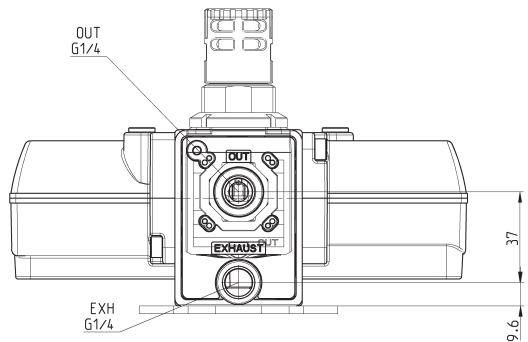
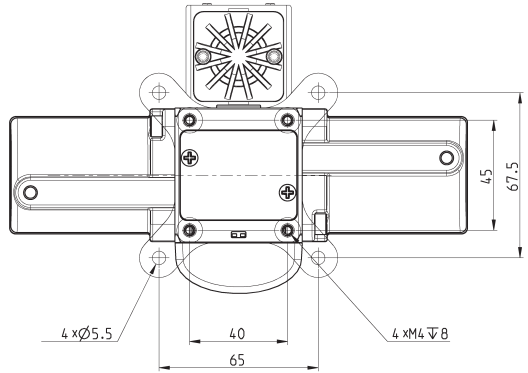


P.IN MAX = 10 bar
P.OUT MAX = 16 bar

Dimensions BPA multiplier - size 40



* = version without regulator
 ** = version with R1, R2 regulator

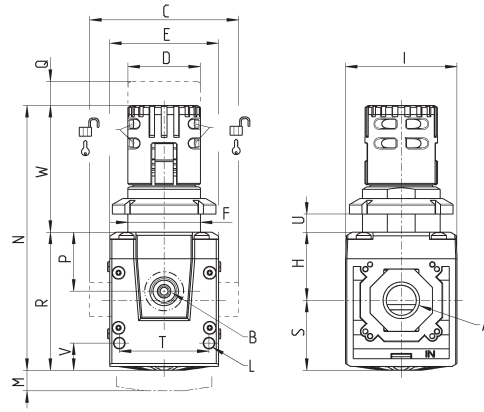
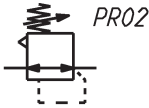


Pressure Regulator - dimensions



P.IN MAX = 16bar
P.OUT MAX = 10bar

PR02 = Regulator with relieving



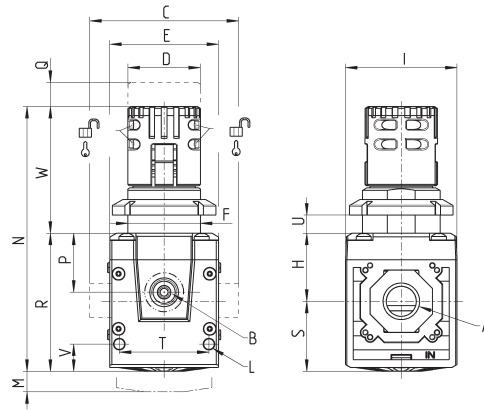
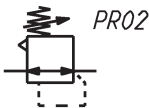
Mod.	A	B	C	D	E	F	H	I	L	M	N	P	Q	R	S	T	U	V	W	Weight (Kg)
MD1-R000	-	G1/8	42	Ø28	42	M28X1,5	26.2	43	Ø4	16	102	22.7	4	53.2	27	34.6	0 ÷ 11	10.5	48.8	0.2

High pressure regulator - dimensions



P.IN MAX = 20bar
P.OUT MAX = 16bar

PR02 = Multiplier with relieving

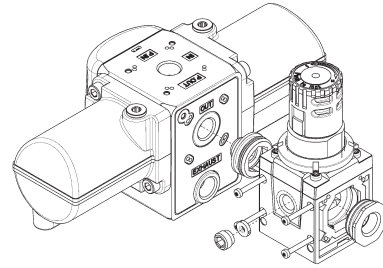


Mod.	A	B	C	D	E	F	H	I	L	M	N	P	Q	R	S	T	U	V	W	Weight (Kg)
MD1-R900	-	G1/8	42	Ø28	42	M28X1,5	26.2	43	Ø4	16	102	22.7	4	53.2	27	34.6	0 ÷ 11	10.5	48.8	0.2

BPA fixing kit with MD Series

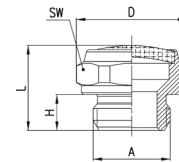


The kit includes:
 2x bushing with OR
 4x special Ø4.5x34 white zinc-plated screws
 1x plug with seal



DIMENSIONS	
Mod.	A
BPA-1/4-C	G1/4

Silencers Series 2901

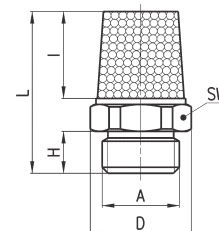


DIMENSIONS								
Mod.	A	D	H	L	SW	Max operating pressure (bar)	Flow rate (NL/min)	Noise db (A)
2901 1/4-17	G1/4	18.5	6	14	17	10	1000	78

SIL1



Silencers Series 2931

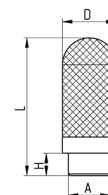


DIMENSIONS									
Mod.	A	D	H	I	L	SW	Max. Oper. Pressure	Flow rate NL/Min	Noise db (A)
2931 1/4	G1/4	16,2	6	16,5	27	15	10	3200	86

SIL1



Silencers Series 2928



DIMENSIONS							
Mod.	A	D	H	L	Max. Oper. Pressure	Flow rate NL/Min	Noise db (A)
2928 1/4	G1/4	16,6	7	42,5	10	2730	72

Operating temperature:
 - 40 / + 80 °C

SIL1

