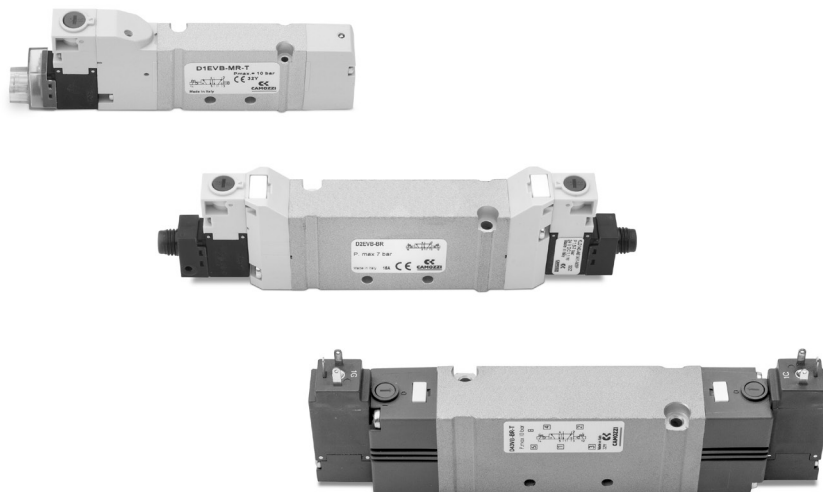




# Series D Solenoid valves VB version

2x3/2; 5/2; 5/3-way  
Manifold assembly  
Size 10,5 - 16 - 25 mm



Camozzi has developed a new series of valves for applications with limited installation space where it is necessary to have the control elements as close to the actuator as possible. Thanks to the extreme robust aluminium body, the Series D valves guarantee maximum reliability even under difficult operating conditions.

- » Flow up to 2000 Nl/min
- » Aluminium body and technopolymer end caps
- » Installation in narrow spaces
- » Electric connection also with M8 connector

## GENERAL DATA

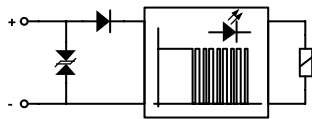
Valve construction	spool- type
Valve functions	2x3/2 NC/NO/NC+NO; 5/2; 5/3 CC/CO/CP
Materials	body, spool, bases = AL; end caps = technopolymer; seals = HNBR
Ambient temperature	0°C ÷ 50° C
Medium	compressed, filtered and non-lubricated air in class [7:4:4] according to ISO 8573-1:2010. In case lubrication should be necessary, only use oils with a maximum viscosity of 32 Cst and the version with external servo pilot. The air quality for the servo pilot should be of class [7:4:4] according to ISO 8573-1:2010
Voltage	24V DC
Voltage tolerance	± 10%
Power consumption	1W
Class of insulation	class F
Protection class	IP65 with EN 175301 C connector ("3" actuation. Ex DIN 43650)* IP65 with M8 connector ("C" actuation)* IP40 with micro connector ("E" actuation)* *See coding example

**CODING EXAMPLE**

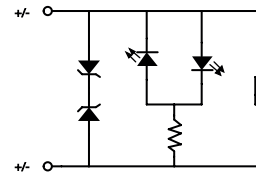
<b>D</b>	<b>1</b>	<b>E</b>	<b>VB</b>	<b>-</b>	<b>B</b>	<b>P</b>
<b>D</b>	SERIES					
<b>1</b>	SIZE: 1 = 10,5 mm 2 = 16 mm 4 = 25 mm					
<b>E</b>	ACTUATION: E = electric (D1 and D2) 3 = electric 15 mm (D2 and D4) C = electric with M8 connections (D1 and D2)					
<b>VB</b>	COMPONENT: VB = Valve with body for sub-base					
<b>B</b>	TYPE OF SOLENOID VALVE: M = 5/2 Monostable B = 5/2 Bistable C = 2 x 3/2 NC A = 2 x 3/2 NO G = 2 x 3/2 (NC+NO) N = 5/3 CP V = 5/3 CC K = 5/3 CO					
<b>P</b>	TYPE OF MANUAL OVERRIDE: P = push button (not for D4) R = with push and turn device					
VERSION 3, through the connector with rectifier bridge 125-571-3, can be used for AC applications. (see the connectors at the end of the section)						

SOLENOID VALVES VB VERSION

Solenoid valve model DxEVA is equipped with a reverse polarity protection circuit



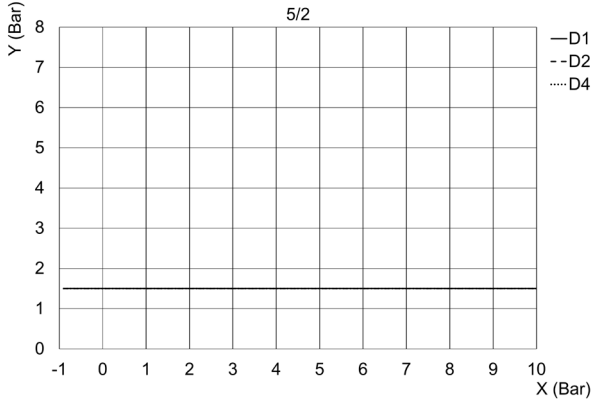
Solenoid valve model DxCVA can also operate in the event of reverse polarity



Absorption for both models is 1W (with a reduction of 50% after 150 ms)

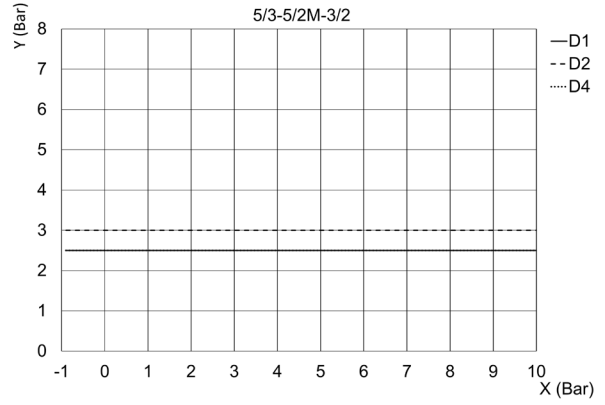
**PILOT PRESSURE GRAPHS**

**Valve model**



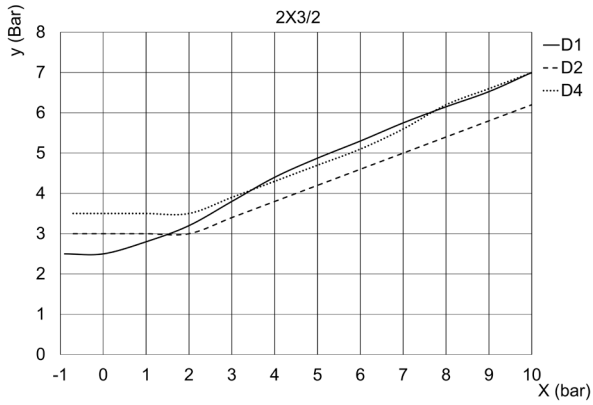
x = Inlet pressure  
y = Pilot pressure

**Valve model**



x = Inlet pressure  
y = Pilot pressure

**Valve model**



x = Inlet pressure  
y = Pilot pressure

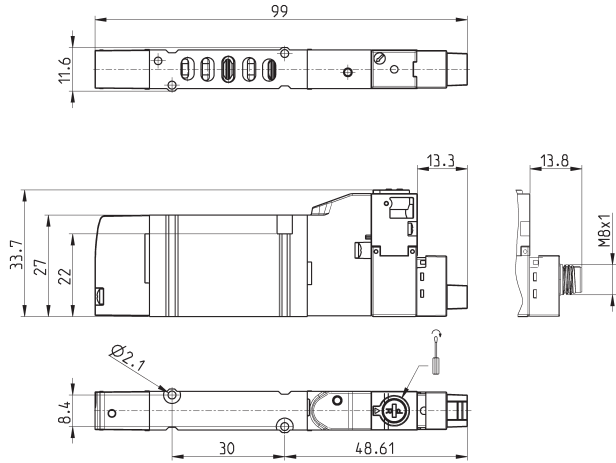
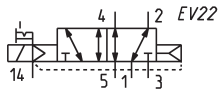
SOLENOID VALVES VB VERSION

### 5/2-way solenoid valve, monostable, outlets on subbase - size 10.5



The symbols of the versions with manual override type P are shown in the Appendix.

Connectors at the end of this section.  
The valve is supplied with screws and seal.



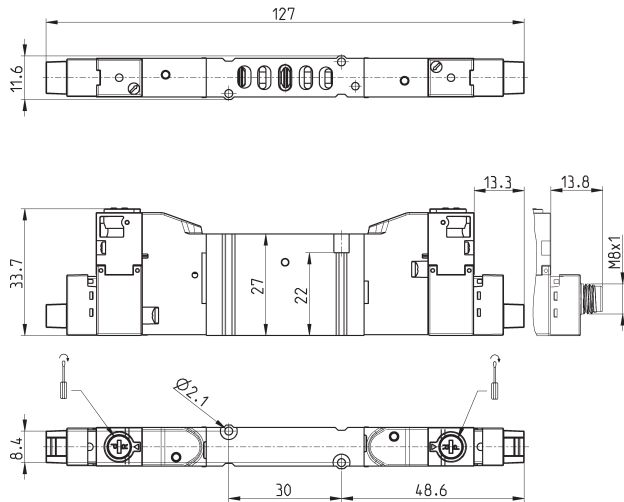
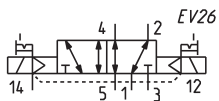
Mod.	Pilot supply pressure (bar)	Operating pressure (bar)	Flow (NL/min)	Symbol
D1EVB-MR / D1CVB-MR	2.5 ÷ 7	-0.9 ÷ 10	300	EV22

### 5/2-way solenoid valve, bistable, outlets on subbase - size 10.5



The symbols of the versions with manual override type P are shown in the Appendix.

Connectors at the end of this section.  
The valve is supplied with screws and seal.



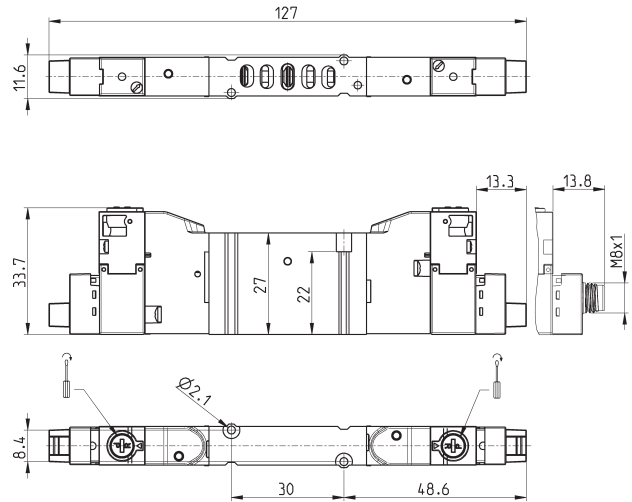
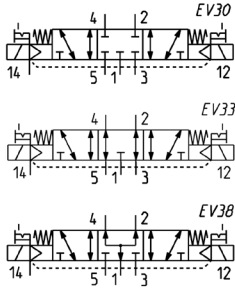
Mod.	Pilot supply pressure (bar)	Operating pressure (bar)	Flow (NL/min)	Symbol
D1EVB-BR / D1CVB-BR	2.5 ÷ 7	-0.9 ÷ 10	300	EV26

### 5/3-way solenoid valve, outlets on subbase - size 10.5



CC = Centres Closed  
 CO = Centres Open  
 CP = Centres Pressurized  
 The symbols of the versions with manual override type P are shown in the Appendix.

Connectors at the end of this section.  
 The valve is supplied with screws and seal.



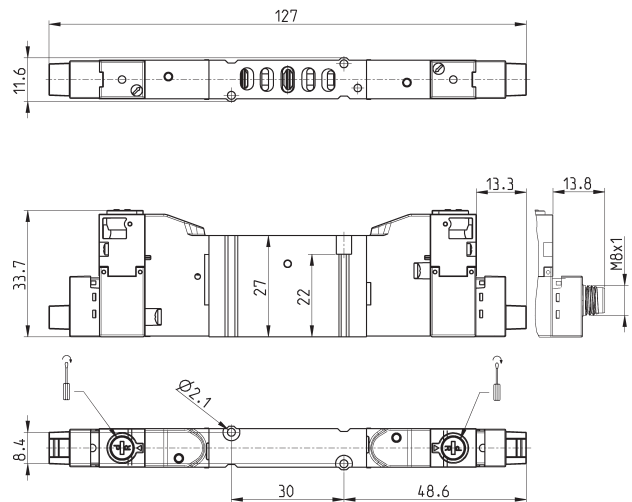
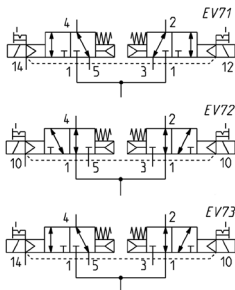
Mod.	Function	Pilot supply pressure (bar)	Operating pressure (bar)	Flow (NI/min)	Symbol
D1EVB-VR / D1CVB-VR	CC	2.5 ÷ 7	-0.9 ÷ 10	260	EV30
D1EVB-KR / D1CVB-KR	CO	2.5 ÷ 7	-0.9 ÷ 10	260	EV33
D1EVB-NR / D1CVB-NR	CP	2.5 ÷ 7	-0.9 ÷ 10	260	EV38

### 2x3/2-way solenoid valve, outlets on subbase - size 10.5



These solenoid valves integrate two 3/2-way functions in the same body.  
 The symbols of the versions with manual override type P are shown in the Appendix.

Connectors at the end of this section.  
 The valve is supplied with screws and seal.



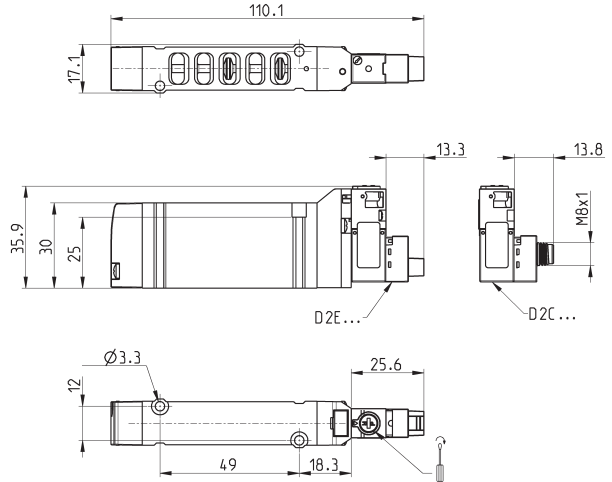
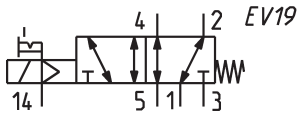
Mod.	Function	Pilot supply pressure (bar)	Operating pressure (bar)	Flow (NI/min)	Symbol
D1EVB-CR / D1CVB-CR	2 x 3/2 NC	2.5 ÷ 7	-0.9 ÷ 10	280	EV71
D1EVB-AR / D1CVB-AR	2 x 3/2 NO	2.5 ÷ 7	-0.9 ÷ 10	280	EV72
D1EVB-GR / D1CVB-GR	1 x 3/2 NC + 1 x 3/2 NO	2.5 ÷ 7	-0.9 ÷ 10	280	EV73

### 5/2-way solenoid valve, monostable, outlets on subbase - size 16



The symbols of the versions with manual override type P are shown in the Appendix

Connectors at the end of this section.  
The valve is supplied with screws and seal.



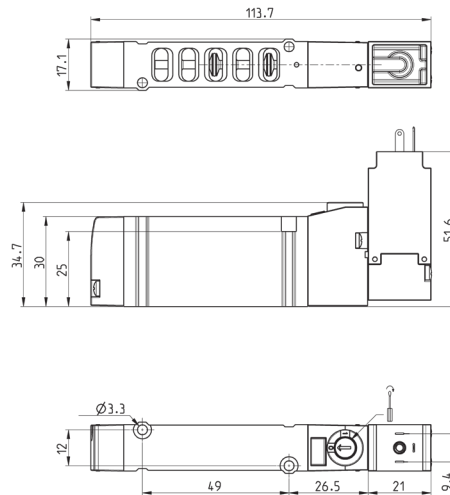
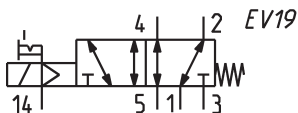
Mod.	Pilot supply pressure (bar)	Operating pressure (bar)	Flow (NL/min)	Symbol
D2EVB-MR / D2CVB-MR	3 ÷ 7	-0.9 ÷ 10	950	EV19

### 5/2-way solenoid valve, monostable, outlets on subbase with 15 mm coil -



The symbols of the versions with manual override type P are shown in the Appendix

Connectors at the end of this section.  
The valve is supplied with screws and seal.



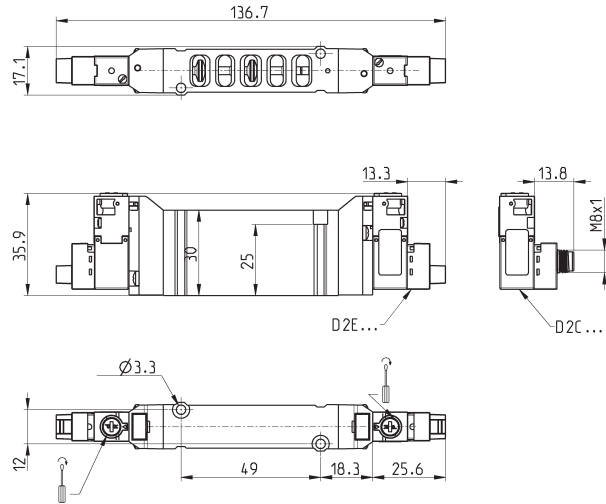
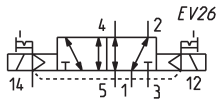
Mod.	Pilot supply pressure (bar)	Operating pressure (bar)	Flow (NL/min)	Symbol
D23VB-MR	3 ÷ 10	-0.9 ÷ 10	950	EV19

**5/2-way solenoid valve, bistable, outlets on subbase - size 16**

The symbols of the versions with manual override type P are shown in the Appendix



Connectors at the end of this section.  
The valve is supplied with screws and seal.



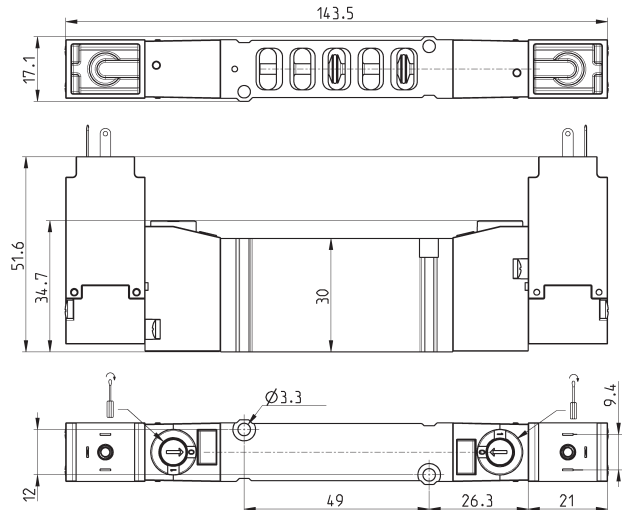
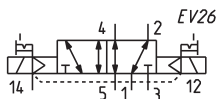
Mod.	Pilot supply pressure (bar)	Operating pressure (bar)	Flow (NL/min)	Symbol
D2EVB-BR / D2CVB-BR	1.5 ÷ 7	-0.9 ÷ 10	950	EV26

**5/2-way solenoid valve, bistable, outlets on subbase with 15 mm coil - size**

The symbols of the versions with manual override type P are shown in the Appendix



Connectors at the end of this section.  
The valve is supplied with screws and seal.



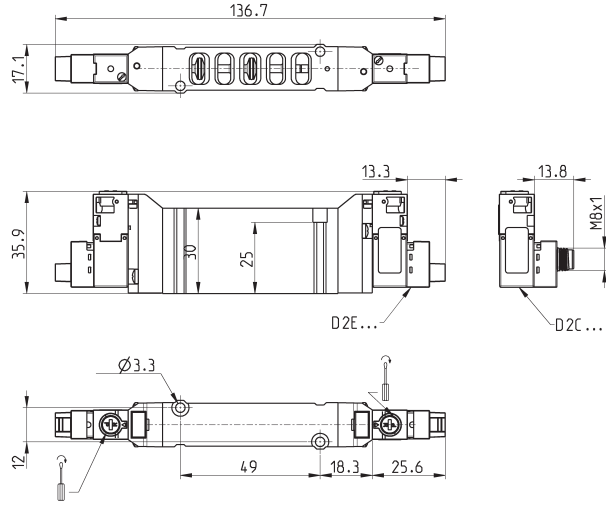
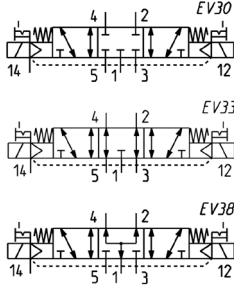
Mod.	Pilot supply pressure (bar)	Operating pressure (bar)	Flow (NL/min)	Symbol
D23VB-BR	1.5 ÷ 10	-0.9 ÷ 10	950	EV26

### 5/3-way solenoid valve, outlets on subbase - size 16



CC = Centres Closed  
 CO = Centres Open  
 CP = Centres Pressurized  
 The indications given are valid for versions: D2EVB and D2CVB  
 The symbols of the versions with manual override type P are available in the "appendix" section

Connectors at the end of this section.  
 The valve is supplied with screws and seal.



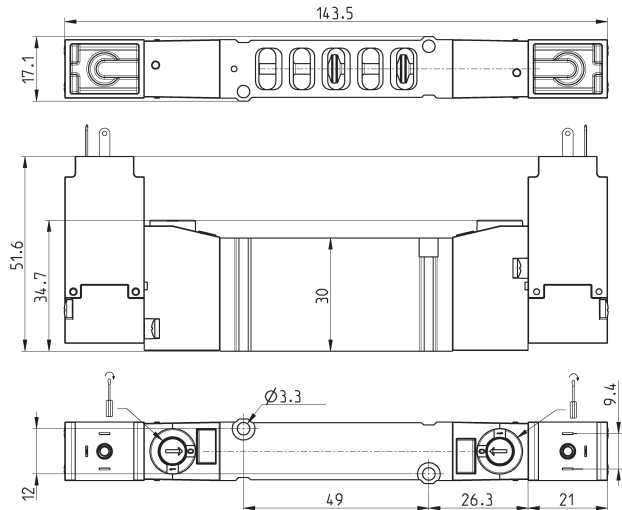
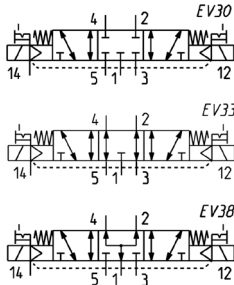
Mod.	Function	Pilot supply pressure (bar)	Operating pressure (bar)	Flow (NL/min)	Symbol
D2EVB-VR / D2CVB-VR	CC	1.5 ÷ 7	-0.7 ÷ 10	950	EV30
D2EVB-KR / D2CVB-KR	CO	1.5 ÷ 7	-0.7 ÷ 10	950	EV33
D2EVB-NR / D2CVB-NR	CP	1.5 ÷ 7	-0.7 ÷ 10	950	EV38

### 5/3-way solenoid valve, outlets on subbase with 15 mm coil - size 16



CC = Centres Closed  
 CO = Centres Open  
 CP = Centres Pressurized  
 The symbols of the versions with manual override type P are available in the "appendix" section

Connectors at the end of this section.  
 The valve is supplied with screws and seal.



Mod.	Function	Pilot supply pressure (bar)	Operating pressure (bar)	Flow (NL/min)	Symbol
D23VB-VR	CC	1.5 ÷ 10	-0.9 ÷ 10	950	EV30
D23VB-KR	CO	1.5 ÷ 10	-0.9 ÷ 10	950	EV33
D23VB-NR	CP	1.5 ÷ 10	-0.9 ÷ 10	950	EV38



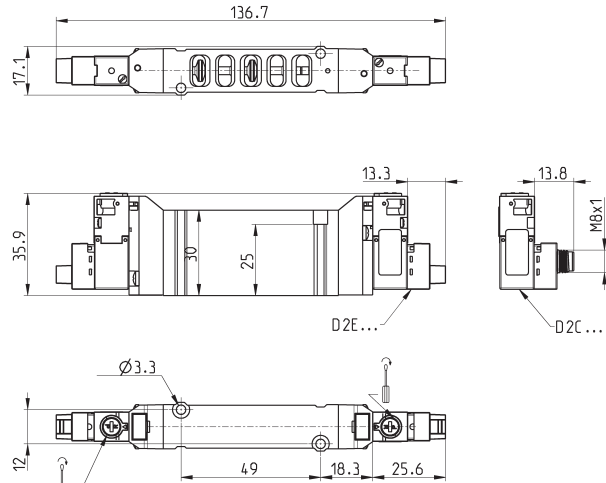
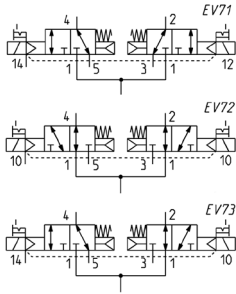
### 2x3/2-way solenoid valve, outlets on subbase - size 16



These solenoid valves integrate two 3/2-way functions in the same body.

The symbols of the versions with manual override type P are shown in the Appendix.

Connectors at the end of this section.  
The valve is supplied with screws and seal.



Mod.	Function	Pilot supply pressure (bar)	Operating pressure (bar)	Flow (NI/min)	Symbol
D2EVB-CR / D2CVB-CR	2 x 3/2 NC	1.5 ÷ 7	-0.7 ÷ 10	950	EV71
D2EVB-AR / D2CVB-AR	2 x 3/2 NO	1.5 ÷ 7	-0.7 ÷ 10	950	EV72
D2EVB-GR / D2CVB-GR	1 x 3/2 NC + 1 x 3/2 NO	1.5 ÷ 7	-0.7 ÷ 10	950	EV73

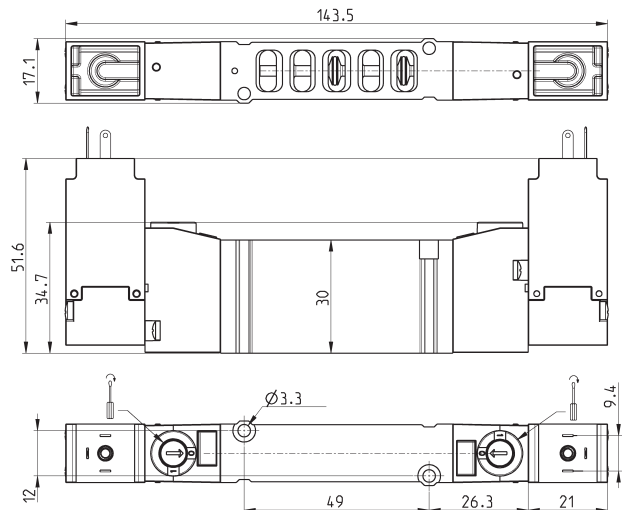
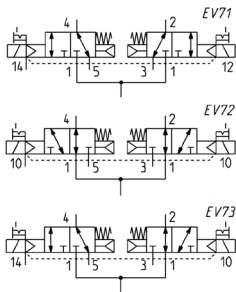
### 2x3/2-way solenoid valve, outlets on subbase with 15 mm coil - size 16



These solenoid valves integrate two 3/2-way functions in the same body.

The symbols of the versions with manual override type P are shown in the Appendix.

Connectors at the end of this section.  
The valve is supplied with screws and seal.

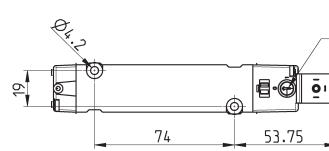
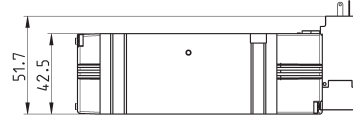
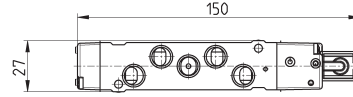
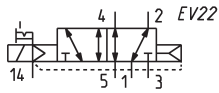


Mod.	Function	Pilot supply pressure (bar)	Operating pressure (bar)	Flow (NI/min)	Symbol
D23VB-CR	2 x 3/2 NC	1.5 ÷ 10	-0.7 ÷ 10	950	EV71
D23VB-AR	2 x 3/2 NO	1.5 ÷ 10	-0.7 ÷ 10	950	EV72
D23VB-GR	1 x 3/2 NC + 1 x 3/2 NO	1.5 ÷ 10	-0.7 ÷ 10	950	EV73

**5/2-way solenoid valve, monostable, outlets on subbase - size 25**



Connectors at the end of this section.  
The valve is supplied with screws and seal.

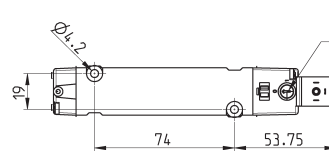
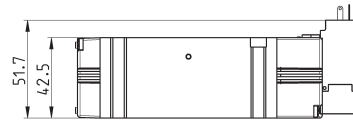
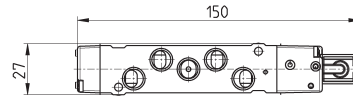
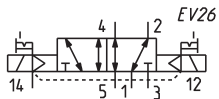


Mod.	Pilot supply pressure (bar)	Operating pressure (bar)	Flow (NL/min)	Symbol
D43VB-MR	2.5 ÷ 10	-0.9 ÷ 10	2000	EV22

**5/2-way solenoid valve, bistable, outlets on subbase - size 25**



Connectors at the end of this section.  
The valve is supplied with screws and seal.



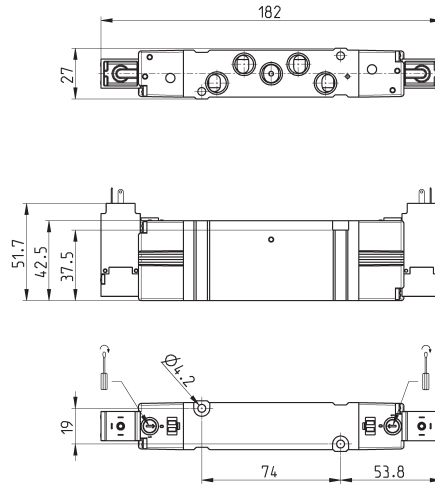
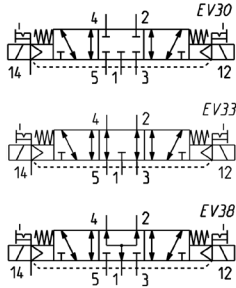
Mod.	Pilot supply pressure (bar)	Operating pressure (bar)	Flow (NL/min)	Symbol
D43VB-BR	2.5 ÷ 10	-0.9 ÷ 10	2000	EV26

### 5/3-way solenoid valve, outlets on subbase - size 25

CC = Centres Closed  
 CO = Centres Open  
 CP = Centres Pressurized



Connectors at the end of this section.  
 The valve is supplied with screws and seal.



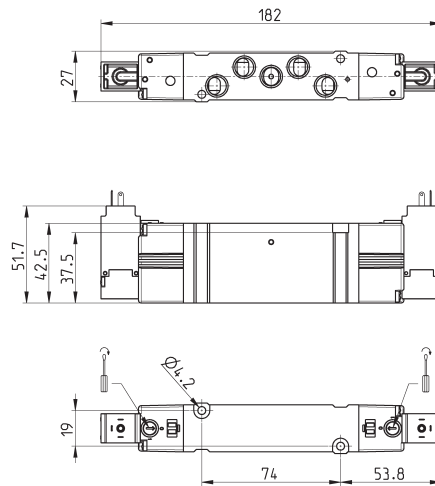
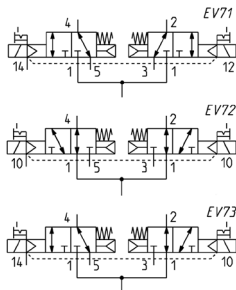
Mod.	Function	Pilot supply pressure (bar)	Operating pressure (bar)	Flow (NL/min)	Symbol
D43VB-VR	CC	2.5 ÷ 10	-0.9 ÷ 10	1800	EV30
D43VB-KR	CO	2.5 ÷ 10	-0.9 ÷ 10	1800	EV33
D43VB-NR	CP	2.5 ÷ 10	-0.9 ÷ 10	1800	EV38

### 2x3/2-way solenoid valve, outlets on subbase - size 25

Solenoid valves available in versions with 2x3/2-way valves on the same valve body



Connectors at the end of this section.  
 The valve is supplied with screws and seal.



Mod.	Function	Pilot supply pressure (bar)	Operating pressure (bar)	Flow (NL/min)	Symbol
D43VB-CR	2x3/2NC	2.5 ÷ 10	-0.7 ÷ 10	1800	EV71
D43VB-AR	2x3/2NO	2.5 ÷ 10	-0.7 ÷ 10	1800	EV72
D43VB-GR	1 x 3/2 NC + 1 x 3/2 NO	2.5 ÷ 10	-0.7 ÷ 10	1800	EV73

**CODING EXAMPLE**

<b>DC</b>	<b>B</b>	<b>1</b>	<b>0</b>	<b>-</b>	<b>12</b>
-----------	----------	----------	----------	----------	-----------

<b>DC</b>	SERIES
<b>B</b>	MANIFOLD: B = For type VB solenoid valves
<b>1</b>	SIZE 1 = 10.5 mm 2 = 16 mm 4 = 25 mm
<b>0</b>	SERVO-PILOT 0 = Kit included for internal/external servo-pilot supply
<b>12</b>	N° OF POSITIONS: 2 3 4 ...  16 17 (no D4) 18 (no D4) 19 (no D4)

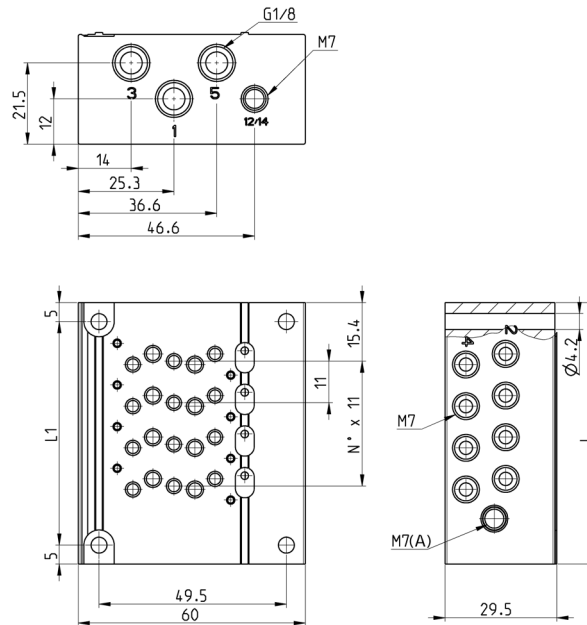
SOLENOID VALVES VB VERSION

## Manifolds for solenoid valves model VB, Size 10,5



The Manifold package includes a closing cap and a spool to insert in position A, necessary to establish internal or external pilot supply. In the configuration with the cap only, pilot supply is established through connection 1, channels 12/14 must be closed.

In the other variant with cap and spool, channels 1 and 12/14 are separated and must be supplied individually.



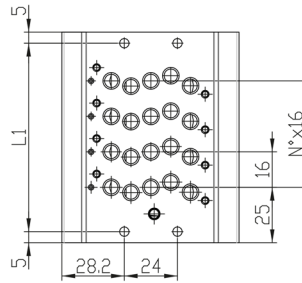
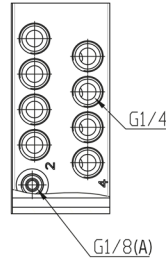
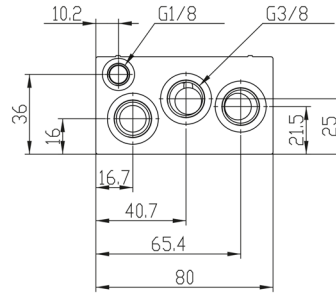
DIMENSIONS			
Mod.	Nr positions	L	L1
DCB10-2	2	11	37
DCB10-3	3	22	48
DCB10-4	4	33	59
DCB10-5	5	44	70
DCB10-6	6	55	81
DCB10-7	7	66	92
DCB10-8	8	77	103
DCB10-9	9	88	114
DCB10-10	10	99	125
DCB10-11	11	110	136
DCB10-12	12	121	147
DCB10-13	13	132	158
DCB10-14	14	143	169
DCB10-15	15	154	180
DCB10-16	16	165	191
DCB10-17	17	176	202
DCB10-18	18	187	213
DCB10-19	19	198	224

## Manifolds for solenoid valves model VB, Size 16



The Manifold package includes a closing cap and a spool to insert in position A, necessary to establish internal or external pilot supply. In the configuration with the cap only, pilot supply is established through connection 1, channels 12/14 must be closed.

In the other variant with cap and spool, channels 1 and 12/14 are separated and must be supplied individually.



### DIMENSIONS

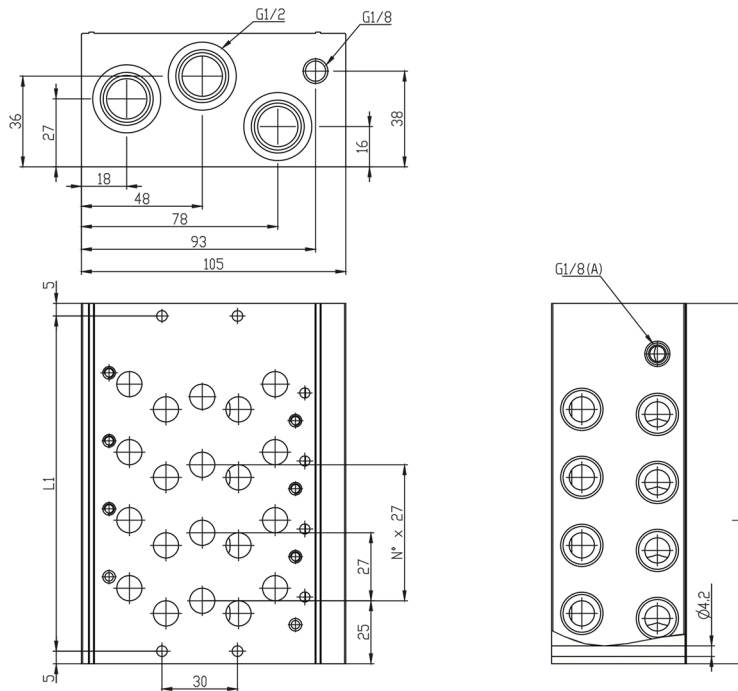
Mod.	Nr positions	L	L1
DCB20-2	2	63	53
DCB20-3	3	79	69
DCB20-4	4	95	85
DCB20-5	5	111	101
DCB20-6	6	127	117
DCB20-7	7	143	133
DCB20-8	8	159	149
DCB20-9	9	175	165
DCB20-10	10	191	181
DCB20-11	11	207	197
DCB20-12	12	223	213
DCB20-13	13	239	229
DCB20-14	14	255	245
DCB20-15	15	271	261
DCB20-16	16	287	277
DCB20-17	17	303	293
DCB20-18	18	319	309
DCB20-19	19	335	325

## Manifolds for solenoid valves model VB, Size 25



The Manifold package includes a closing cap and a spool to insert in position A, necessary to establish internal or external pilot supply. In the configuration with the cap only, pilot supply is established through connection 1, channels 12/14 must be closed.

In the other variant with cap and spool, channels 1 and 12/14 are separated and must be supplied individually.



DIMENSIONS			
Mod.	Nr positions	L	L1
DCB40-2	2	89	79
DCB40-3	3	116	106
DCB40-4	4	143	133
DCB40-5	5	170	160
DCB40-6	6	197	187
DCB40-7	7	224	214
DCB40-8	8	251	241
DCB40-9	9	278	268
DCB40-10	10	305	295
DCB40-11	11	332	322
DCB40-12	12	359	349
DCB40-13	13	386	376
DCB40-14	14	413	403
DCB40-15	15	440	430
DCB40-16	16	467	457

### Series KLD solenoid valve - 3/2-way - M8 connector



Supplied with:  
1x interface seal  
2x Ø1.6x16 screws for mounting on plastic

Mod.	Function	Orifice Ø (mm)	kv (l/min)	Min ÷ max pressure (bar]	Power (W)	Manual override
KLD140-A61AB-M3P	3/2	0,6	0,12	3-7	1	pulsar y girar
KLD140-A61AY-M3P	3/2	0,6	0,12	3-7	1	pulsar

### Series KLD solenoid valve - 3/2-way - 90° connector



Supplied with:  
1x interface seal  
2x Ø1.6x16 screws for mounting on plastic

Mod.	Function	Orifice Ø (mm)	kv (l/min)	Min ÷ max pressure (bar]	Power (W)	Manual override
KLD140-A61AB-13P	3/2	0,6	0,12	3-7	1	pulsar y girar
KLD140-A61AY-13P	3/2	0,6	0,12	3-7	1	pulsar

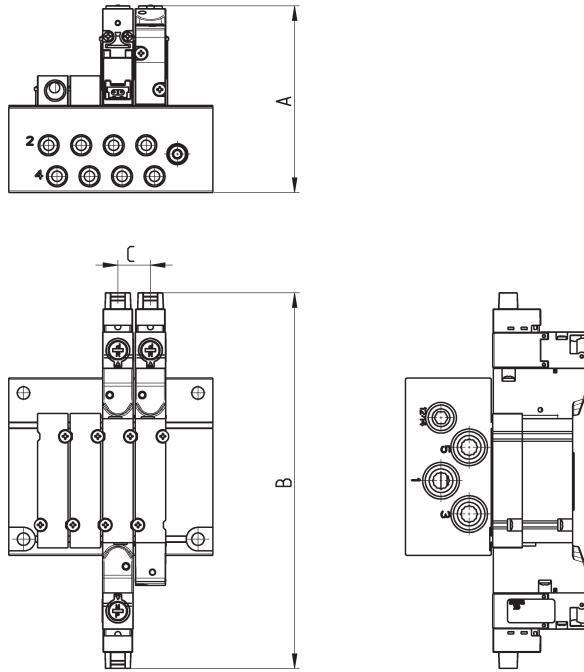
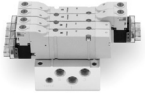


## CODING EXAMPLE MANIFOLD WITH SOLENOID VALVES AND FITTINGS

<b>DC</b>	<b>B</b>	<b>1</b>	<b>E</b>	<b>R</b>	<b>A</b>	-	<b>MBMXCVB</b>	-	<b>3BX2AB</b>	-	<b>CSL</b>	-	<b>R</b>
-----------	----------	----------	----------	----------	----------	---	----------------	---	---------------	---	------------	---	----------

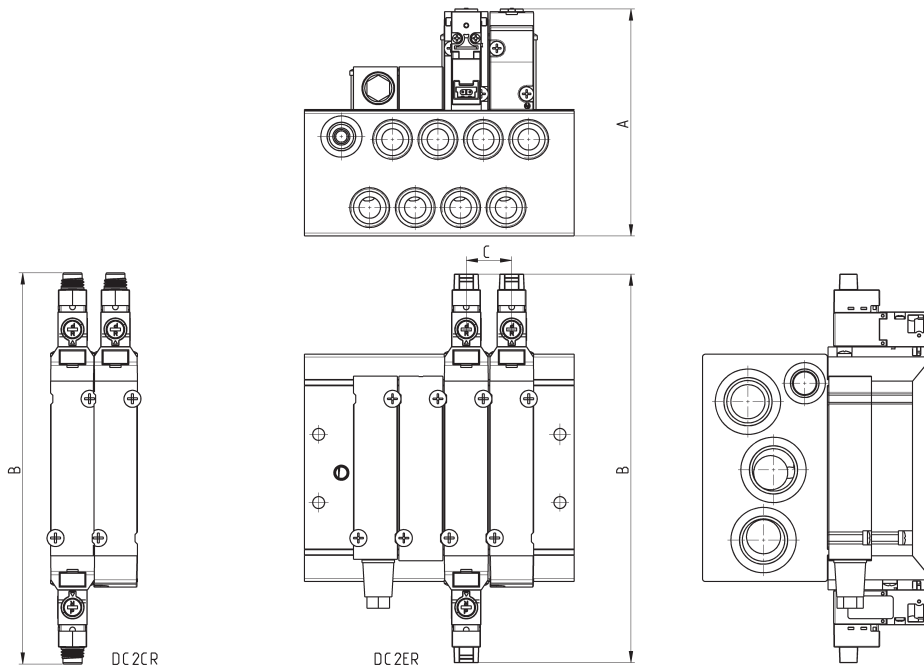
<b>DC</b>	SERIES												
<b>B</b>	MANIFOLD WITH SOLENOID VALVES B = For type VB solenoid valve												
<b>1</b>	SIZE 1 = 10.5 mm 2 = 16 mm 4 = 25 mm												
<b>E</b>	ACTUATION E = Electric (D1 and D2) 3 = Electric 15 mm (D2 and D4) C = Electric with M8 connector (D1 and D2)												
<b>R</b>	TYPE OF MANUAL OVERRIDE P = push button (not for 3 actuation) R = with push and turn device												
<b>A</b>	SERVO-PILOT SUPPLY A = internal B = external												
<b>MBMXCVB</b>	TYPE OF SOLENOID VALVE M = 5/2 Monostable B = 5/2 Bistable C = 2 x 3/2 NC A = 2 x 3/2 NO G = 2 x 3/2 (NC + NO) V = 5/3 CC K = 5/3 CO N = 5/3 CP L = Free position X = Additional supply and exhaust Y = Additional supply and exhaust with silencer												
<b>3BX2AB</b>	CONNECTIONS ON VALVE POSITIONS (OUTLETS 2 AND 4 ON MANIFOLD) T = Thread A = Ø4 (D1) Fittings 6512 4-M7-M B = Ø6 (D1) Fittings 6512 6-M7-M; (D2) S6510 6-1/4 C = Ø8 (D2) Fittings S6510 8-1/4 D = Ø10 (D2) Fittings 6512 10 1/4-M; (D4) S6510 10-3/8 E = Ø12 (D4) Fittings S6510 12-3/8 F = Ø14 (D4) Fittings S6510 14-3/8 L = Free position X = Threaded plate Y = See codes D1AVB-Y / D2AVB-Y / D4AVB-Y												
<b>CSL</b>	MANIFOLD CONNECTIONS (supply and exhausts) T = Thread (on both sides) C = Fittings Ø8 on connections 1;3;5 (D1) 6512 8-1/8-M (D2) S6510 8-3/8 CS = Fittings Ø8 on supply + silencers on exhausts (D1) 6512 8-1/8-M + 2921 1/8 (D2) S6510 8-3/8 + 2921 3/8 D = Fittings Ø10 on connections 1;3;5 (D2) S6510 10-3/8 (D4) S6510 10-1/2 DS = Fittings Ø10 on supply + silencers on exhausts (D2) S6510 10-3/8 + 2921 3/8 (D4) S6510 10-1/2 + 2921 1/2 E = Fittings Ø12 on connections 1;3;5 (D2) S6510 12-3/8 (D4) S6510 12-1/2 ES = Fittings Ø12 on supply + silencers on exhausts (D2) S6510 12-3/8 + 2921 3/8 (D4) S6510 12-1/2 + 2921 1/2 F = Fittings Ø14 on connections 1;3;5 (D2) S6510 14-3/8 (D4) S6510 14-1/2 FS = Fittings Ø14 on supply + silencers on exhausts (D2) S6510 14-3/8 + 2921 3/8 (D4) S6510 14-1/2 + 2921 1/2 G = Fittings Ø16 on connections 1;3;5 (D4) S6510 16-1/2 GS = Fittings Ø16 on supply + silencers on exhausts (D4) S6510 16-1/2 + 2921 1/2  CONNECTION SIDE = Both (The servo-pilot fitting will be mounted on the right side) L = Fittings on the Left (right side covered) R = Fittings on the Right (left side covered)  Servo-pilot fittings: Ø6 (D1) 6512 6-M7-M; (D2) S6510 6-1/8; Ø8 (D4) S6510 8-1/8 (supplied only in case of servo-pilot supply B, but not in case of configuration of Manifold T connections)												
<b>R</b>	FIXING: = Direct R = Port for DIN rail												
	VERSION 3, through the connector with rectifier bridge, can be used for AC applications. (see the connectors at the end of the section)												

**Manifold with solenoid valves, outlets on subbase - size 10,5**



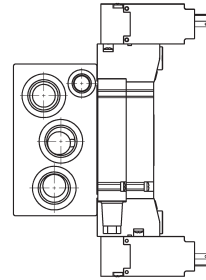
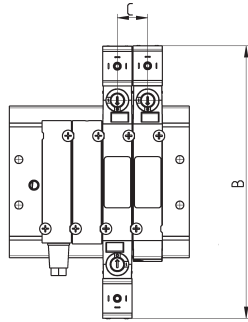
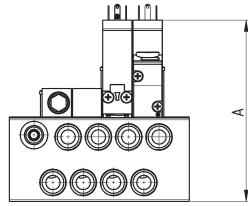
DIMENSIONS			
Mod.	A	B	C
DCB1ER.-.	63	127.2	11
DCB1CR.-.	63	128.2	11

**Manifold with solenoid valves, outlets on base - size 16**



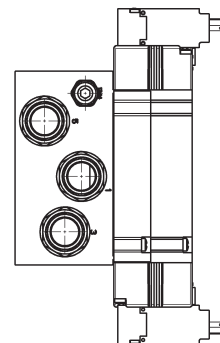
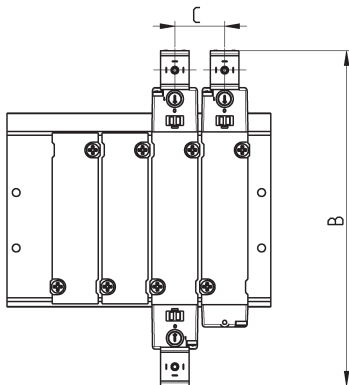
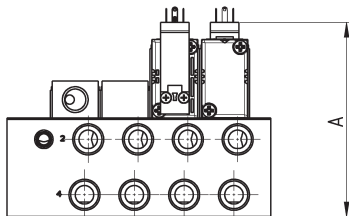
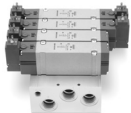
DIMENSIONS			
Mod.	A	B	C
DCB2ER.-.	105	136.7	16
DCB2CR.-.	105	137.7	16

**Manifold with solenoid valves, outlets on base - size 16**



DIMENSIONS			
Mod.	A	B	C
DCB23R.-.	105	181.5	16

**Manifold with solenoid valves, outlets on base - size 25**



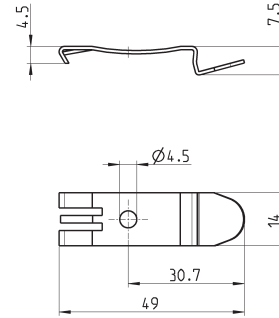
DIMENSIONS			
Mod.	A	B	C
DCB43R.-.	51.7	150	27

### Mounting brackets for DIN rail



DIN EN 50022 (7,5mm x 35mm - width 1)

Supplied with:  
2x plates  
2x screws M4 UNI 5931  
2x nuts (D2 and D4)  
2x M4 UNI EN ISO 7089 (D2) washers

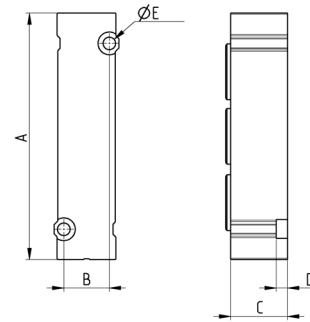


Mod.	
PCF-D1	(only for D1)
PCF-D2	(only for D2)
PCF-D4	(only for D4)

### Blanking plate for manifolds - free position L



The following is supplied:  
1x plate  
2x screws  
1x seal.

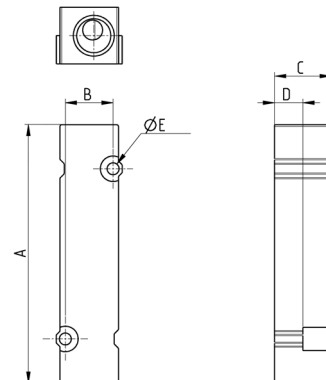
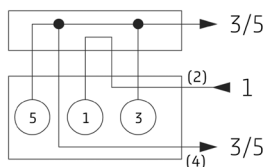


DIMENSIONS						
Mod.	Size	A	B	C	D	øE
D1AVB-L	10.5	45.5	8.4	10	5	2.1
D2AVB-L	16	65	12	15	3	3.3
D4AVB-L	25	92.5	19	20	5	4.2

### Module X for additional supply and exhaust for size 10,5



The following is supplied:  
1x plate  
2x screws  
1x seal

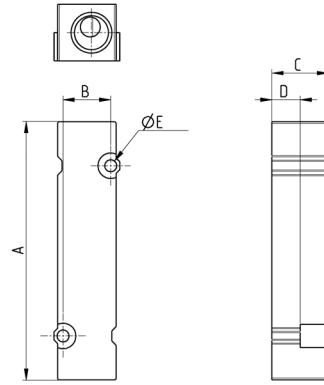
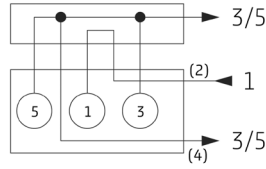


DIMENSIONS						
Mod.	Size	A	B	C	D	øE
D1AVB-X	10.5	45	8.4	10	5	2.1

**Module X for additional supply and exhaust for size 16**

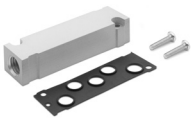


The following is supplied:  
 1x plate  
 2x screws  
 1x seal

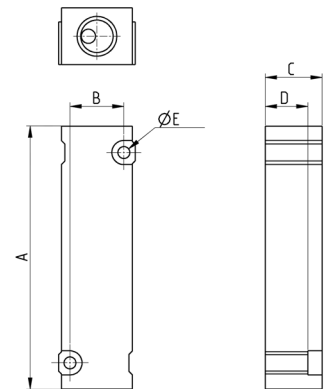
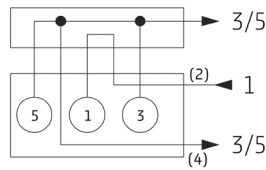


DIMENSIONS						
Mod.	Size	A	B	C	D	$\varnothing E$
D2AVB-X	16	65	12	15	12	3,3

**Module X for additional supply and exhaust for size 25**



The following is supplied:  
 1x plate  
 2x screws  
 1x seal

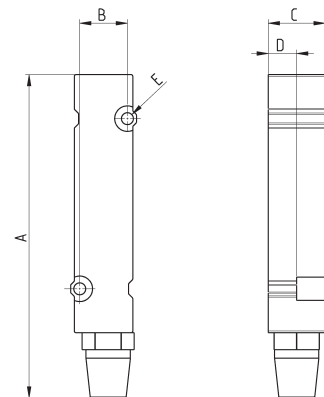
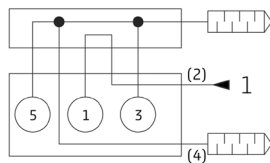


DIMENSIONS						
Mod.	Size	A	B	C	D	$\varnothing E$
D4AVB-X	25	65	19	20	15	4.2

**Module Y for additional supply and exhaust with silencer for size 10,5**



The following is supplied:  
 1x plate  
 2x screws  
 1x seal  
 2x silencers 2931 M7  
 1x fitting 6512 6-M7-M

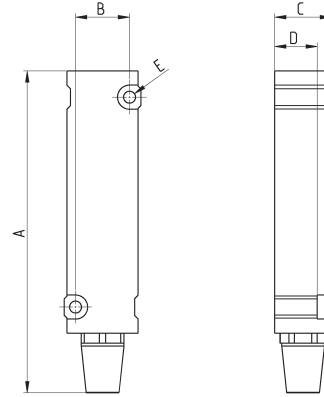
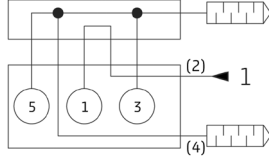


DIMENSIONS						
Mod.	Size	A	B	C	D	$\varnothing E$
D1AVB-Y	10.5	57	8.4	10	5	2.1

**Module Y for additional supply and exhaust with silencer for size 16**

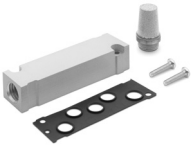


- The following is supplied:  
 1x plate  
 2x screws  
 1x seal  
 1x silencers 2931 1/4  
 1x silencers 2931 1/4  
 1x fitting 6512 1/4

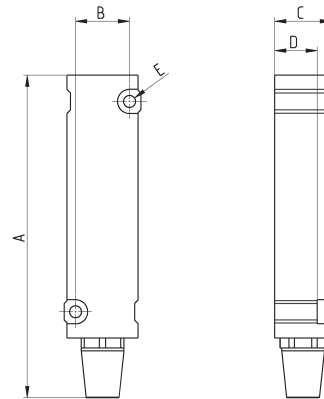
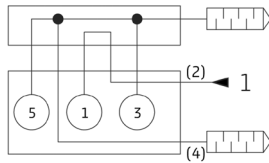


DIMENSIONS						
Mod.	Size	A	B	C	D	øE
D2AVB-Y	16	81,4	12	15	12	3.3

**Module Y for additional supply and exhaust with silencer for size 25**

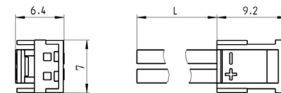


- The following is supplied:  
 1x plate  
 2x screws  
 1x seal  
 1x silencer 2931 1/4  
 1x silencer 2931 3/8  
 1x fitting 6512 12-3/8



DIMENSIONS						
Mod.	Size	A	B	C	D	øE
D4AVB-Y	25	113,5	19	20	15	4.2

**Connector Mod. 121-8..**



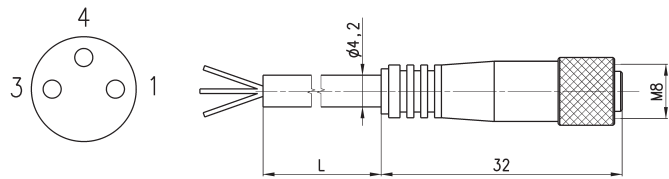
Mod.	description	colour	L = cable length (mm)	cable holding
121-803	crimped cable	black	300	crimping
121-806	crimped cable	black	600	crimping
121-810	crimped cable	black	1000	crimping
121-830	crimped cable	black	3000	crimping

### 3-wire extension with M8 3-pin female connector for "C" actuation



With PU sheathing, non shielded cable.  
Protection class: IP65

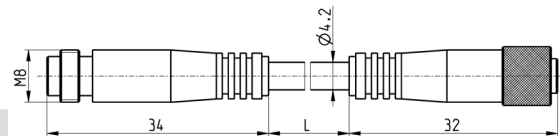
- 1 BN = Brown NC
- 4 BK = Black +/-
- 3 BU = Blue +/-



Mod.	L = cable length (m)
CS-2	2
CS-5	5
CS-10	10

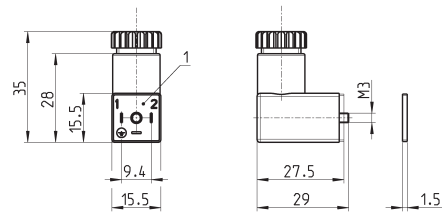
### Extension with M8 connector, 3 pin male/female for "C" actuation

Non shielded



Mod.	description	type of connector	connection	L [ cable length ] (m)
CS-DW03HB-C250	moulded cable	straight	M8 3 pin male / female	2.5
CS-DW03HB-C500	moulded cable	straight	M8 3 pin male / female	5

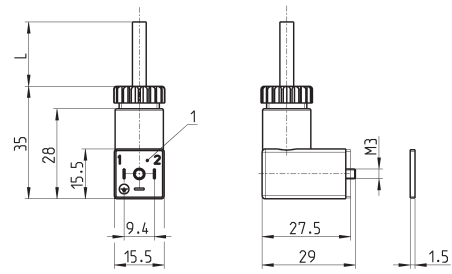
### Connector Mod. 125-... for "3" actuation



Mod.	description	colour	working voltage	cable gland	tightening torque
125-601	connector, diode + Led	transparent	10/50 V DC	PG7	0.3 Nm
125-701	connector, varistor + Led	transparent	24 V AC/DC	PG7	0.3 Nm
125-800	connector, without electronics	black	-	PG7	0.3 Nm

1 = 90° adjustable connector

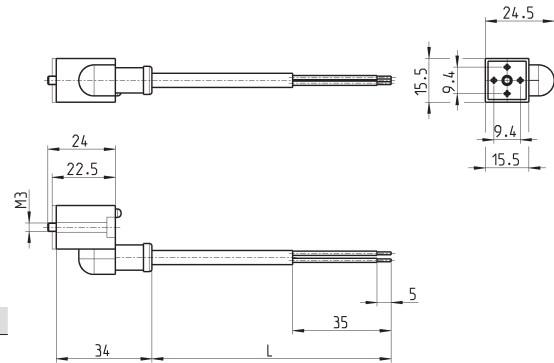
### Connector Mod. 125-... pitch 9.4 mm with cable for "C" actuation



Mod.	description	colour	working voltage	cable length [ L ]	cable gland	tightening torque
125-501-2	moulded cable with diode + Led	black	10/50 V DC	2000 mm	-	0.3 Nm
125-550-1	moulded cable, without electronics	black	-	1000 mm	-	0.3 Nm

1 = 90° adjustable connector

### In-line connectors with cable for "E" actuation



Mod.	description	colour	working voltage	cable length [ L ]	cable gland	tightening torque
125-503-2	in-line moulded cable, with diode + Led	black	24 V DC	2000 mm	-	0.3 Nm
125-503-5	in-line moulded cable, with diode + Led	black	24 V DC	5000 mm	-	0.3 Nm
125-553-2	in-line moulded cable, without electronics	black	-	2000 mm	-	0.3 Nm
125-553-5	in-line moulded cable, without electronics	black	-	5000 mm	-	0.3 Nm