

Series RPGB sprue grippers

Size 8, 12mm

Angular, not self-centering, single-acting, Normally Open
Models: Flat Finger, Short Finger, Flat Finger with sensor

SERIES RPGB SPRUE GRIPPERS



- » Suitable for plastic injection molding sector
- » Easy to install
- » Compact and lightweight
- » Wear resistant
- » Models RPGB-08-D and RPGB-12-D are supplied with sensor CSD-D-364 already mounted

The external design, the choice of materials and the search for miniaturization makes Series RPGB a compact and lightweight solution. The D model is provided with a finger having a slot for the installation of a magnetic sensor which is able to detect the grip of the piece.

Its technical features ensure a high gripping force and make this gripper particularly suitable in the removal of injection molded items. The surface treatments on each metallic part make this series very wear resistant.

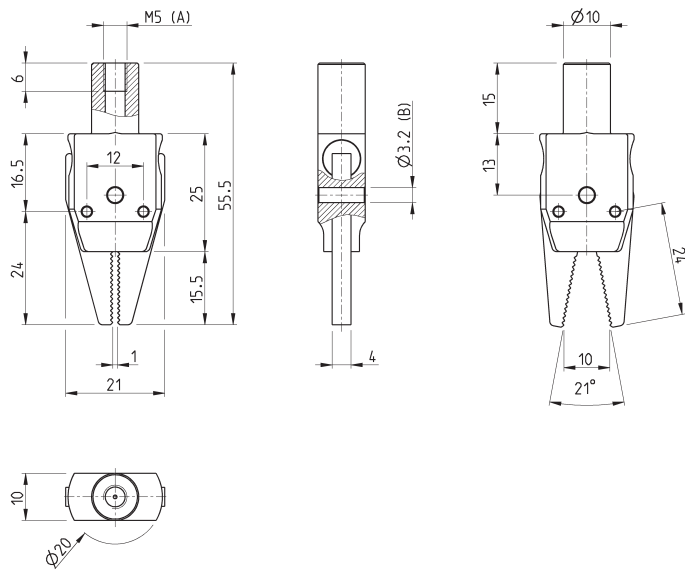
GENERAL DATA

Operation	single-acting, Normally Open
Materials	anodized aluminium body and fingers, HNBR seals
Working pressure	2.5 bar ÷ 8 bar
Working temperature	0°C ÷ 60°C
Max frequency	3 Hz
Lubrication	Not necessary
Air ports	M5
Media	Filtered air, class 6.8.4 according to ISO 8573-1, without lubrication
Size	8, 12 mm
Weights	15 g (size 8) - 50 g (size 12)
Gripping torque at 6 bar	25 Ncm (size 8) - 90 Ncm (size 12)
Opening torque at 6 bar	2 Ncm (size 8) - 5 Ncm (size 12)
Gripping force at 6 bar	7 N (size 8) - 30 N (size 12)
Closing time without load	10 ms
Opening time	30 ms

CODING EXAMPLE

RPGB	-	12	-	A
RPGB	SERIES			
12	SIZE: 08 12			
A	TYPE OF CONSTRUCTION: A = Flat finger C = Short finger with mounting holes for extensions D = Flat finger with sensor mounted (CSD-D-364)			

Flat finger gripper Mod. RPGB-08-A - dimensions

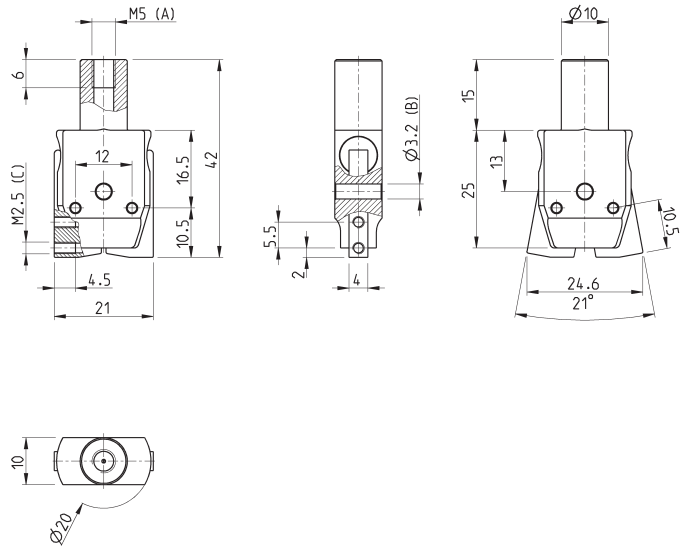


A = port connection
B = mounting hole

Mod.

RPGB-08-A

Short finger gripper Mod. RPGB-08-C - dimensions



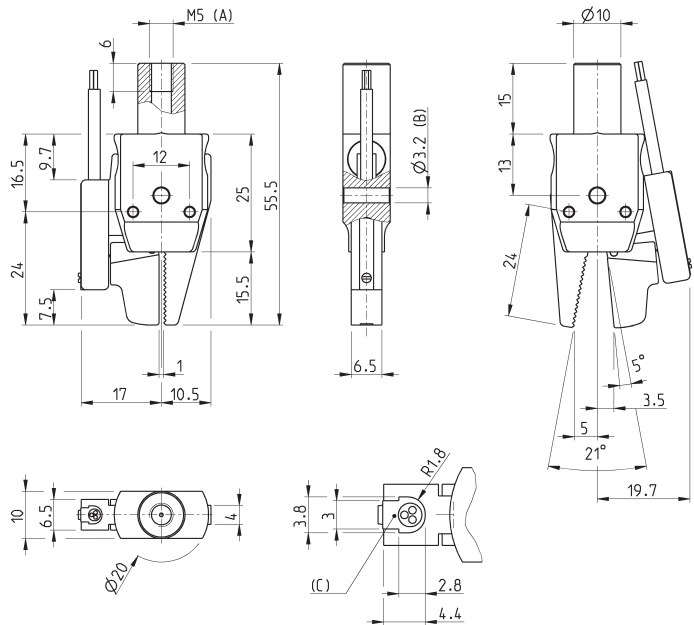
Mod.
RPGB-08-C

A = port connection
B = mounting hole
C = mounting thread

Flat finger gripper with sensor slot Mod. RPGB-08-D - dimensions



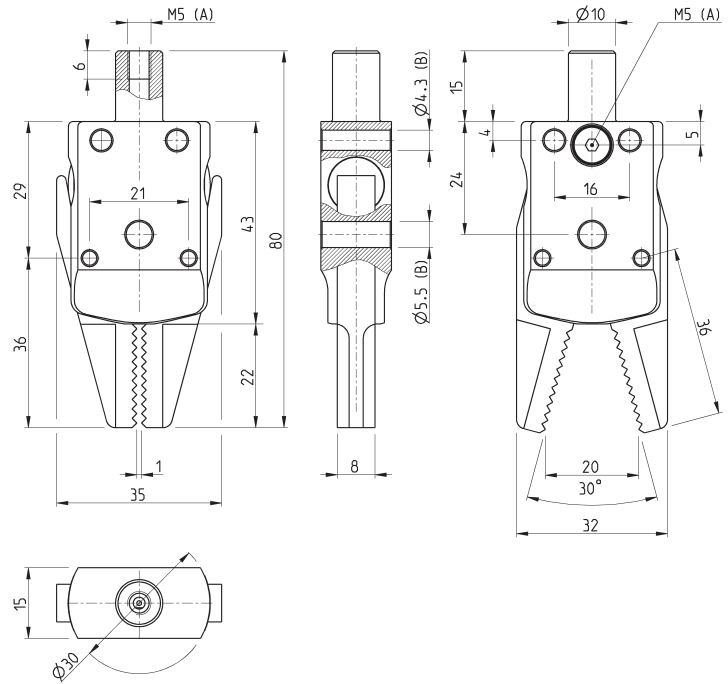
This model is supplied with sensor CSD-D-364 mounted.



Mod.
RPGB-08-D

A = connection port
B = mounting hole
C = sensor groove

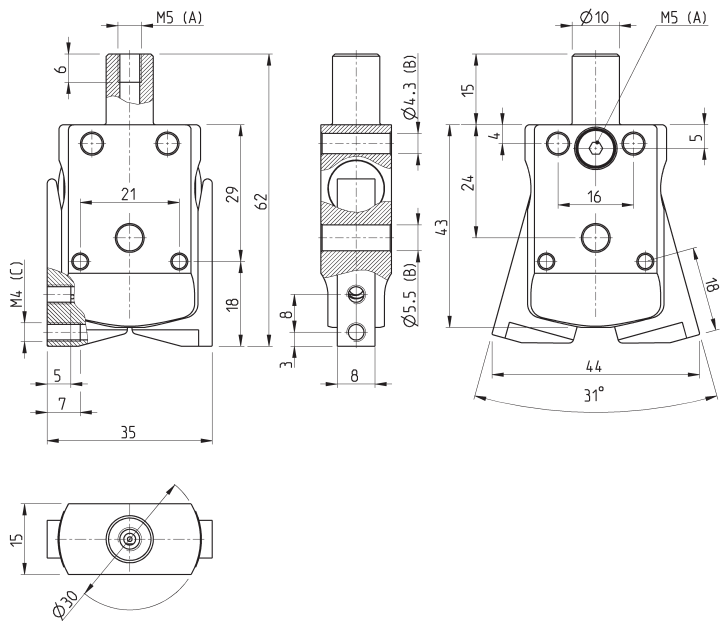
Flat finger gripper Mod. RPGB-12-A - dimensions



Mod.
RPGB-12-A

A = port connection
B = mounting holes

Short finger gripper Mod. RPGB-12-C - dimensions



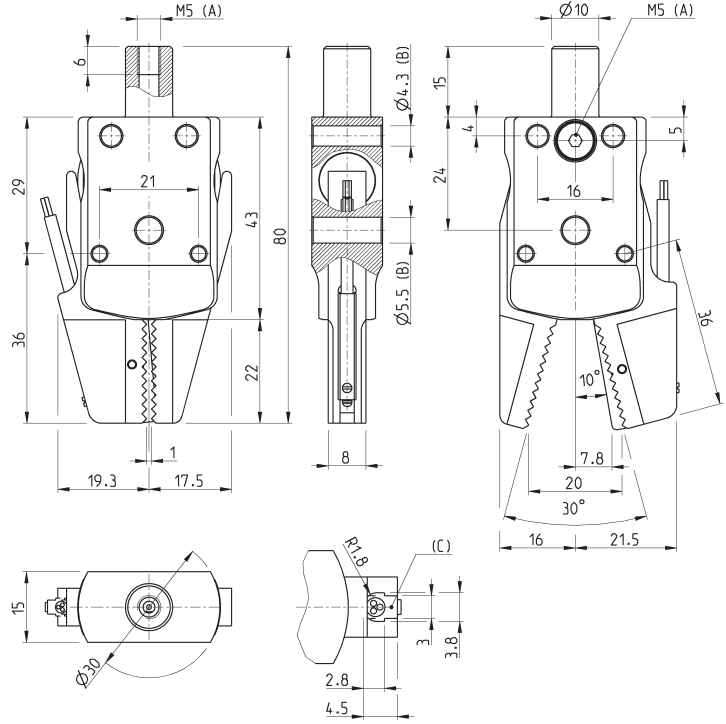
Mod.
RPGB-12-C

A = port connection
B = mounting holes
C = mounting thread

Flat finger gripper with sensor slot Mod. RPGB-12-D - dimensions



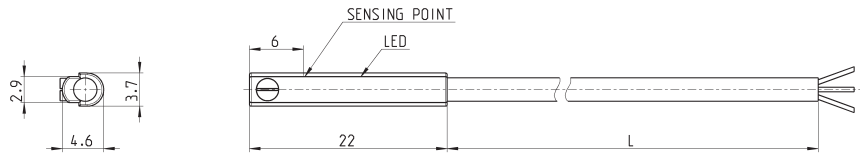
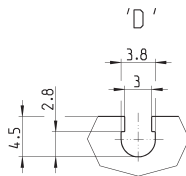
This model is supplied with sensor CSD-D-364 mounted.



A = port connection
B = mounting hole
C = sensor groove

Mod.
RPGB-12-D

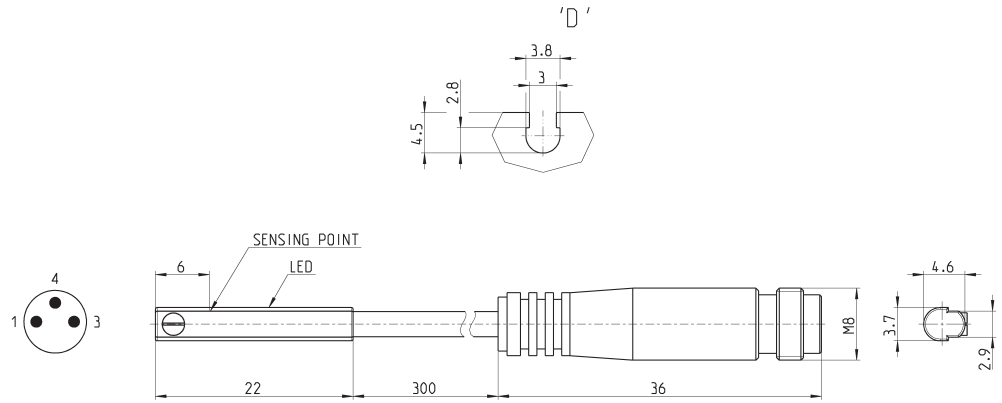
Series CSD magnetic proximity switches, 3-wire cable, D-slot



Mod.	Operation	Connections	Voltage	Output	Max. current	Max Load	Protection	L = length cable
CSD-D-334	Magneto-resistive	3 wires	10 ÷ 27 V DC	PNP	200 mA	6W	Against polarity reversing and overvoltage	2 m

Series CSD magnetic switches, male M8 3-pin conn., D-slot, right

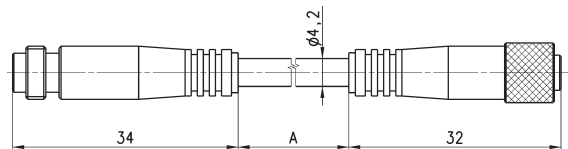
Length of cable 0.3 metres



Mod.	Operation	Connection	Voltage	Output	Max. current	Max load	Protection
CSD-D-364	Magneto-resistive	3 wires with M8 connector	10 ÷ 27 V DC	PNP	200 mA	6W	Against polarity reversing and overvoltage

Extension with connector M8, 3 Pin Male / Female

Non shielded



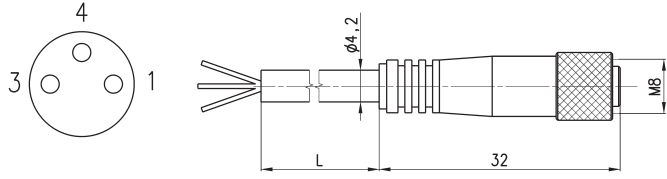
Mod.	cable length "L" (m)
CS-DW03HB-C250	2,5
CS-DW03HB-C500	5

Circular connectors M8, 3 Pin Female



With PU sheathing, non shielded cable.
Protection class: IP65

BN = Brown
BK = Black
BU = Blue



Mod.	L = cable length (m)
CS-2	2
CS-5	5
CS-10	10