

Series QL short-stroke cylinders



Series QL: double-acting, magnetic and non magnetic
 ø 12, 16, 20, 25, 32, 40, 50 mm

- » Compact design
- » Low weight
- » Easy installation



Series QL short-stroke cylinders are available in seven different bore sizes from 12 mm to 50 mm and are designed to cover a wide range of application needs, from light duties in packaging or assembly through to the demanding requirements of handling components for woodworking. The low weight of the aluminium body and the compact design makes this cylinder range quick and easy to install, even in confined or awkward spaces. Series QL is available in double acting, magnetic and non-magnetic designs. A full range of accessories such as standard, large and narrow mounting feet enhance the applicability and usability of the range.

GENERAL DATA

Type of construction	compact profile
Operation	double-acting
Materials	body: anodized AL rod: rolled stainless steel piston seals: NBR rod seals: PU
Operating temperature	0°C ÷ 80°C (with dry air -20°C)
Mounting	by means of screws or brackets
Operating pressure	1 ÷ 10 bar (double-acting)
Fluid	filtered air class 7.8.4 as indicated by ISO 8573-1. If lubricated air is used, it is recommended to use oil ISOVG32. Once applied the lubrication should never be interrupted.
Strokes	see available strokes table
Bores	ø 12, 16, 20, 25, 32, 40, 50
Use with sensors	CSC

STANDARD STROKES FOR SHORT-STROKE CYLINDERS SERIES QL

■ = Double-acting

✖ = Double-acting long strokes

● = Double-acting through rod

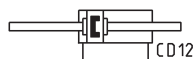
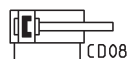
STANDARD STROKES																		
Ø	5	10	15	20	25	30	35	40	45	50	75	100	125	150	175	200	250	300
12	●	●	●	●	●	●												
16	●	●	●	●	●	●												
20	●	●	●	●	●	●	●	●	●	●								
25	●	●	●	●	●	●	●	●	●	●								
32	●	●	●	●	●	●	●	●	●	●	●	●	✖	✖	✖	✖	✖	✖
40	●	●	●	●	●	●	●	●	●	●	●	●	✖	✖	✖	✖	✖	✖
50		●	●	●	●	●	●	●	●	●	●	●	✖	✖	✖	✖	✖	✖

CODING EXAMPLE

QL	M	2	A	032	A	050
QL	SERIES					
M	VERSION M = Magnetic N = Non magnetic					
2	OPERATION 2 = double-acting 3 = double-acting, through-rod (only for M version)			PNEUMATIC SYMBOLS CD08 (M) - CDB1 (N) CD12 (M)		
A	MATERIALS A = rolled stainless steel rod - AL tube profile					
032	BORE 012 = 12 mm 016 = 16 mm 020 = 20 mm 025 = 25 mm 032 = 32 mm 040 = 40 mm 050 = 50 mm					
A	CONSTRUCTION A = Standard L = Long strokes (>100mm)					
050	STROKE (see the stroke table)					
	= Standard M = Male rod					
	= Standard EX = Atex					

PNEUMATIC SYMBOLS

The pneumatic symbols which have been indicated in the CODING EXAMPLE are shown below.



ACCESSORIES FOR SHORT-STROKE CYLINDERS SERIES QL



Foot mount Mod. B-QL



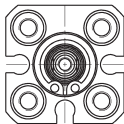
Narrow (shorter) foot mount Mod. BN-QL



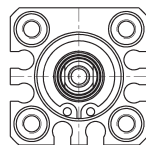
All accessories are supplied separately.

SENSOR GROOVES POSITIONING:

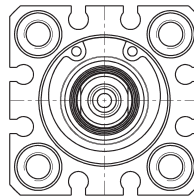
∅12



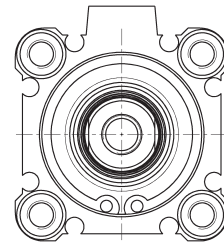
∅16



∅20/∅25



∅32/∅40/∅50

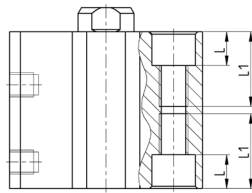


Short-stroke non magnetic cylinders Series QL

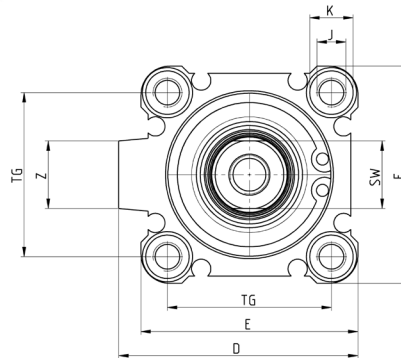
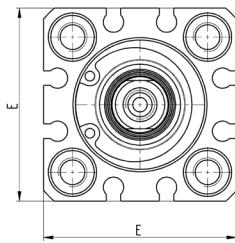
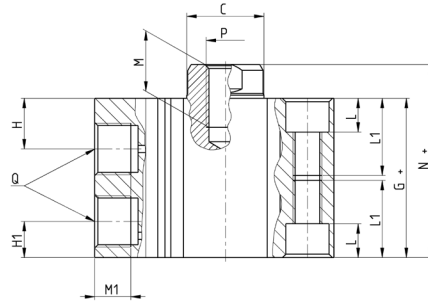


+ = add the stroke

∅12/∅16/∅20/∅25



∅32/∅40/∅50



DIMENSIONS

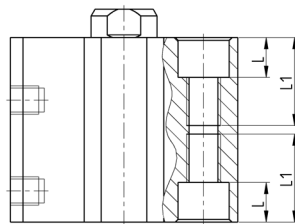
∅	Strokes range (mm)	$\frac{\phi}{2}C$	D	E	G	H	H1	J	$\frac{\phi}{2}K$	L	L1	M	M1	N	P	Q	SW	TG	Z
12	5 ÷ 30	6	-	25	17	7.5	5	M4x0.7	6.5	3.5	11	6	6	20.5	M3x0.5	M5x0.8	5	15.5	-
16	5 ÷ 30	8	-	29	18.5	9	5	M4x0.7	6.5	3.5	11	8	6	22	M4x0.7	M5x0.8	6	20	-
20	5 ÷ 50	10	-	35.5	19.5	8	5.5	M6x1	9	7	17	7	6	24	M5x0.8	M5x0.8	8	25.5	-
25	5 ÷ 50	12	-	40	22.5	11	5.5	M6x1	9	7	17	12	6	27.5	M6x1	M5x0.8	10	28	-
32	5	16	49.5	45	23	10.5	7.5	M6x1	9	7	17	13	6	30	M8x1.25	M5x0.8	14	34	14
32	10 ÷ 50	16	49.5	45	23	10.5	7.5	M6x1	9	7	17	13	7.5	30	M8x1.25	G1/8	14	34	14
32	75 ÷ 100	16	49.5	45	33	10.5	7.5	M6x1	9	7	17	13	7.5	40	M8x1.25	G1/8	14	34	14
40	5 ÷ 50	16	57	52	29.5	11	8	M6x1	9	7	17	13	7.5	36.5	M8x1.25	G1/8	14	40	15
40	75 ÷ 100	16	57	52	39.5	11	8	M6x1	9	7	17	13	7.5	46.5	M8x1.25	G1/8	14	40	15
50	10 ÷ 50	20	71	64	30.5	10.5	10.5	M8x1.25	11	8	22	15	8.5	38.5	M10x1.5	G1/4	17	50	19
50	75 ÷ 100	20	71	64	40.5	10.5	10.5	M8x1.25	11	8	22	15	8.5	48.5	M10x1.5	G1/4	17	50	19

Short-stroke magnetic cylinders Series QL

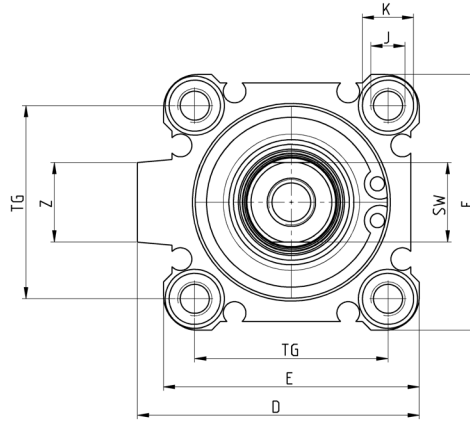
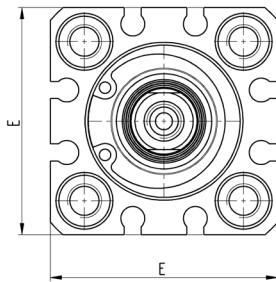
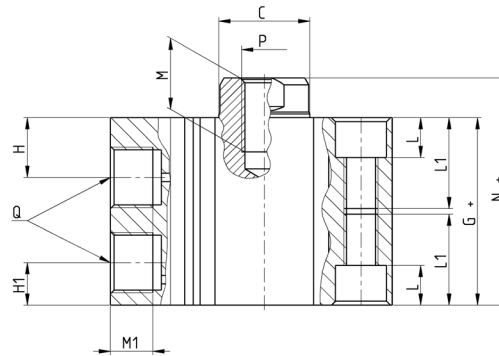


+ = add the stroke

∅12/∅16/∅20/∅25



∅32/∅40/∅50



DIMENSIONS

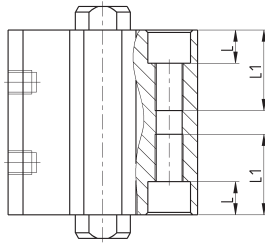
∅	Strokes range (mm)	_ø C	D	E	G	H	H1	J	_ø K	L	L1	M	M1	N	P	Q	SW	TG	Z
12	5 ÷ 30	6	-	25	28	7.5	5	M4x0.7	6.5	3.5	11	6	6	31.5	M3x0.5	M5x0.8	5	15.5	-
16	5 ÷ 30	8	-	29	30.5	9	5	M4x0.7	6.5	3.5	11	8	6	34	M4x0.7	M5x0.8	6	20	-
20	5 ÷ 50	10	-	35.5	31.5	8	5.5	M6x1	9	7	17	7	6	36	M5x0.8	M5x0.8	8	25.5	-
25	5 ÷ 50	12	-	40	32.5	11	5.5	M6x1	9	7	17	12	6	37.5	M6x1	M5x0.8	10	28	-
32	5 ÷ 100	16	49.5	45	33	10.5	7.5	M6x1	9	7	17	13	6 / 7.5	40	M8x1.25	G1/8	14	34	14
40	5 ÷ 100	16	57	52	39.5	11	8	M6x1	9	7	17	13	7.5	46.5	M8x1.25	G1/8	14	40	15
50	10 ÷ 100	20	71	64	40.5	10.5	10,5	M8x1.25	11	8	22	15	8.5	48.5	M10x1.5	G1/4	17	50	19

Short-stroke through rod magnetic cylinders Series QL

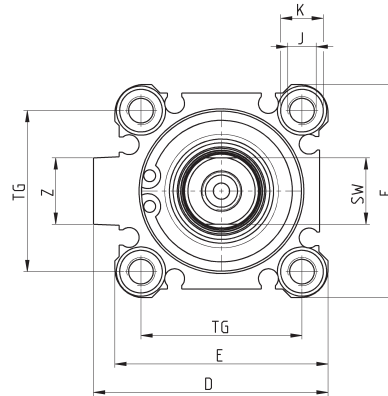
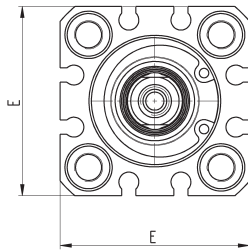
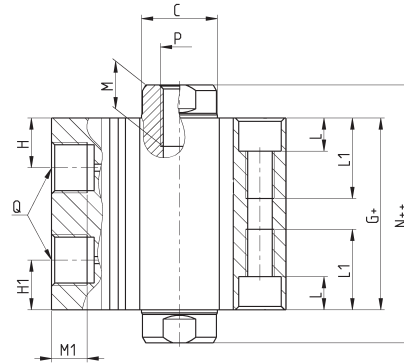


+ = add the stroke
++ = add the stroke twice

∅12/∅16/∅20/∅25

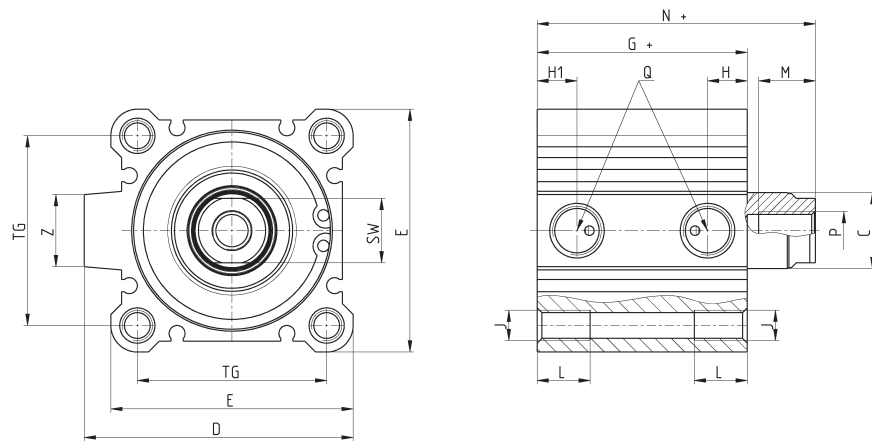


∅32/∅40/∅50



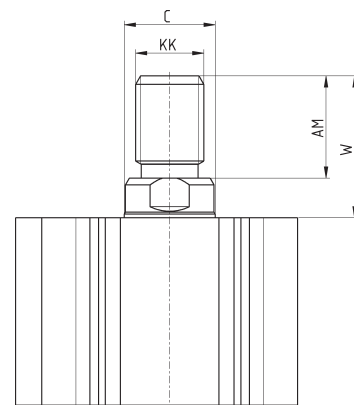
DIMENSIONS																			
∅	Strokes range (mm)	∅C	D	E	G	H	H1	J	∅K	L	L1	M	M1	N	P	Q	SW	TG	Z
12	5 ÷ 30	6	-	25	32.4	7.5	7.5	M4x0.7	6.5	3.5	11	6	6	39,4	M3x0.5	M5x0.8	5	15,5	-
16	5 ÷ 30	8	-	29	36	9	5	M4x0.7	6.5	3.5	11	8	6	43	M4x0.7	M5x0.8	6	20	-
20	5 ÷ 50	10	-	35.5	38	8	8	M6x1	9	7	17	8	6	47	M5x0.8	M5x0.8	8	25,5	-
25	5 ÷ 50	12	-	40	39	11	11	M6x1	9	7	17	12	6	49	M6x1	M5x0.8	10	28	-
32	5 ÷ 100	16	49.5	45	40.5	10.5	10.5	M6x1	9	7	17	13	7.5	54.5	M8x1.25	G1/8	14	34	14
40	5 ÷ 100	16	57	52	50	11	11	M6x1	9	7	17	13	7.5	64	M8x1.25	G1/8	14	40	15
50	10 ÷ 100	20	71	64	50.5	10.5	10.5	M8x1.25	11	8	22	15	8.5	66.5	M10x1.5	G1/4	17	50	19

Short-stroke cylinders Series QL long strokes



DIMENSIONS																
∅	Stroke range (mm)	$\varnothing C$	D	E	G	H	H1	J	L	M	N	P	Q	SW	TG	Z
32	125 ÷ 300	16	49.5	45	45.5	10.5	10.5	M6x1.0	10	13	62.5	M8x1.25	G1/8	14	34	14
40	125 ÷ 300	16	57	52	55	11	11	M6x1.0	10	13	72	M8x1.25	G1/8	14	40	15
50	125 ÷ 300	20	71	64	55.5	10.5	10.5	M8x1.25	14	15	73.5	M10x1.5	G1/4	17	50	19

Short-stroke cylinders series QL male rod variant



DIMENSIONS					
∅	Stroke range (mm)	W	$\varnothing C$	KK	AM
12	5 ÷ 30	14	6	M5x0.8	10.5
16	5 ÷ 30	15.5	8	M6x1	12
20	5 ÷ 50	18.5	10	M8x1.25	14
25	5 ÷ 50	22.5	12	M10x1.25	17.5
32	5 ÷ 100	30.5	16	M14x1.5	23.5
32	125 ÷ 300	40.5	16	M14x1.5	23.5
40	5 ÷ 100	30.5	16	M14x1.5	23.5
40	125 ÷ 300	40.5	16	M14x1.5	23.5
50	10 ÷ 100	36.5	20	M18x1.5	28.5
50	125 ÷ 300	46.5	20	M18x1.5	28.5

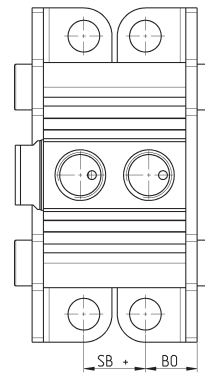
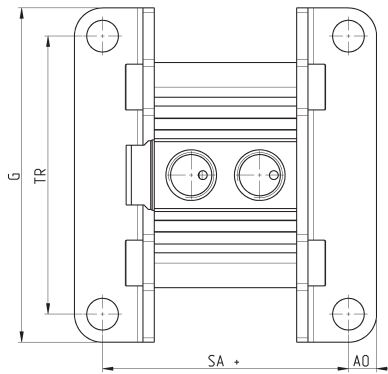
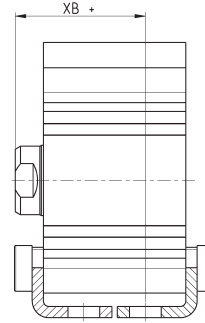
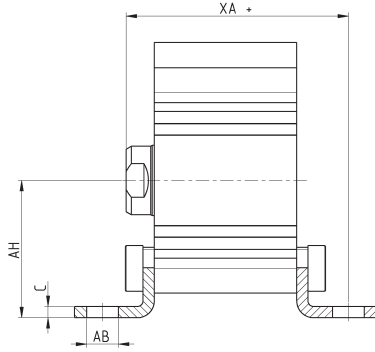
Foot bracket Mod.B-QL

Material: zinc-plated steel.



Supplied with:
2x foot brackets
4x screws

+ = add the stroke



DIMENSIONS													
Ø	Version	Stroke range (mm)	AH	XA	XB	G	TR	C	SA	AO	SB	B0	AB
12	QLM	5 ÷ 30	17	39.5	25.5	44	34	2	44	4.5	16	8	4.5
12	QLN	5 ÷ 30	17	28.5	14.5	44	34	2	33	4.5	5	8	4.5
16	QLM	5 ÷ 30	19	42	28	48	38	2	46.5	5	18.5	8	4.5
16	QLN	5 ÷ 30	19	30	16	48	38	2	34.5	5	6.5	8	4.5
20	QLM	5 ÷ 50	24	45.2	30	62	48	3.2	49.9	5.8	19.5	9.2	6.5
20	QLN	5 ÷ 50	24	33.2	18	62	48	3.2	37.9	5.8	7.5	9.2	6.5
25	QLM	5 ÷ 50	26	48.2	30	66	48	3.2	53.9	5.8	17.5	10.7	6.5
25	QLN	5 ÷ 50	26	38.2	20	66	52	3.2	43.9	5.8	7.5	10.7	6.5
32	QLM	5 ÷ 100	30	51.2	32	71	52	3.2	55.4	5.8	17	11.2	6.5
32	QLN	5 ÷ 50	30	41.2	22	71	57	3.2	45.4	5.8	7	11.2	6.5
32	QLN	75 ÷ 100	30	51.2	32	71	57	3.2	55.4	5.8	17	11.2	6.5
40	QLM	5 ÷ 100	33	57.5	38.5	78	57	3.2	61.9	7	23.5	11.2	6.5
40	QLN	5 ÷ 50	33	47.7	28.5	78	64	3.2	51.9	7	13.5	11.2	6.5
40	QLN	75 ÷ 100	33	57.5	38.5	78	64	3.2	61.9	7	23.5	11.2	6.5
50	QLM	5 ÷ 100	39	53.2	37	95	79	3.2	69.9	8	17.5	14.7	9
50	QLN	5 ÷ 50	39	53.2	27	95	79	3.2	59.9	8	7.5	14.7	9
50	QLN	75 ÷ 100	39	53.2	37	95	79	3.2	69.9	8	17.5	14.7	9

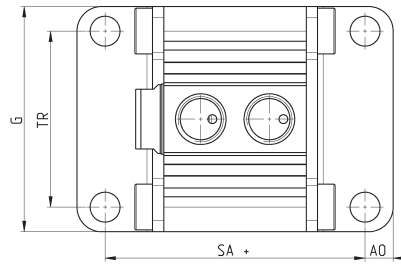
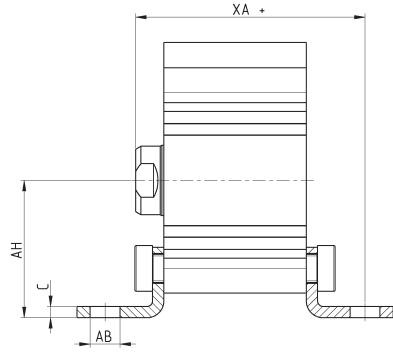
Foot bracket Mod.BN-QL

Material: zinc-plated steel.



Supplied with:
2x foot brackets
4x screws

+ = add the stroke



DIMENSIONS										
Ø	Version	Stroke range (mm)	AH	XA	G	TR	C	SA	AO	AB
12	QLM	5 ÷ 30	17	40.8	25	15.5	2	46.6	4.5	4.5
12	QLN	5 ÷ 30	17	29.8	25	15.5	2	35.6	4.5	4.5
16	QLM	5 ÷ 30	19	43.3	29	20	2	49.1	5	4.5
16	QLN	5 ÷ 30	19	31.3	29	20	2	37.1	5	4.5
20	QLM	5 ÷ 50	24	49.2	36	25.5	3.2	57.9	5.8	6.5
20	QLN	5 ÷ 50	24	37.2	36	25.5	3.2	45.9	5.8	6.5
25	QLM	5 ÷ 50	26	50.7	40	28	3.2	58.9	5.8	6.5
25	QLN	5 ÷ 50	26	40.7	40	28	3.2	48.9	5.8	6.5
32	QLM	5 ÷ 100	30	53.7	45	34	3.2	60.4	5.8	6.5
32	QLN	5 ÷ 50	30	43.7	45	34	3.2	50.4	5.8	6.5
32	QLN	75 ÷ 100	30	53.7	45	34	3.2	60.4	5.8	6.5
40	QLM	5 ÷ 100	33	60.2	52	40	3.2	66.9	7	6.5
40	QLN	5 ÷ 50	33	50.2	52	40	3.2	56.9	7	6.5
40	QLN	75 ÷ 100	33	60.2	52	40	3.2	66.9	7	6.5
50	QLM	5 ÷ 100	39	65.2	64	50	3.2	73.9	8	8.5
50	QLN	5 ÷ 50	39	55.2	64	50	3.2	63.9	8	8.5
50	QLN	75 ÷ 100	39	65.2	64	50	3.2	73.9	8	8.5