

New

Series RPA short stroke cylinders with non-rotating rod

Double-effect, magnetic
With hollow through rod and mounting stud
Bores; 20 and 30 mm



- » Clean and robust design
- » Light
- » Fixing from the body or with mounting stud
- » Hard anodized aluminium rod
- » Hollow through rod
- » Non-rotating rod
- » Slots on both sides for the positioning of magnetic proximity switches
- » Large range of standard strokes and mounting stud dimensions

The Series RPA short stroke cylinders are double acting actuators with aluminium hollow through rod and mounting stud. Available in two sizes, \varnothing 20 and \varnothing 30 mm, with different strokes and dimensions of the mounting stud, these actuators are equipped with the non-rotating function of the rod.

The Series RPA are prepared for the mounting of magnetic sensors (Series CSD), in fact, on the external profile, along the cylinder tube, you can find sensor positioning slots. Their compact and light design together with the adopted technical solutions make these cylinders suitable to be used, combined with suction pads, in End Of Arm Tooling (EOAT) systems, especially in the sector of plastic injection moulding.

GENERAL DATA

| | |
|---------------------------|---|
| Type of construction | Short stroke |
| Operation | Double acting, hollow through rod |
| Materials | Anodized aluminium body, piston and rod HNBR seals |
| Operating pressure | 2 ÷ 8 bar |
| Operating temperature | 5°C ÷ 60°C |
| Medium | Filtered air in class 7.4.4 according to ISO 8573-1 |
| Lubrication | Not necessary. A pre-lubrication is performed on the cylinder. In case lubricated air is used, we recommend ISOVG32 oil and to never interrupt lubrication. |
| Mounting | Stud / threaded holes on the body |
| Use with external sensors | Slots on both sides for Series CSD sensors |
| Anti-rotation function | With self-lubricating technopolymer anti-friction pads |

Technical specifications

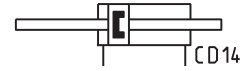
| Models | RPA20R010A14 | RPA20R010A20 | RPA20R025A14 | RPA30R015A20 | RPA30R030A20 | RPA30R050A20 |
|------------------------|-------------------|-------------------|--------------------|--------------------|--------------------|--------------------|
| Bore | ø 20 mm | ø 20 mm | ø 20 mm | ø 30 mm | ø 30 mm | ø 30 mm |
| Force (6 bar) | 130 N | 130 N | 130 N | 300 N | 300 N | 300 N |
| Stroke | 10 mm | 10 mm | 25 mm | 15 mm | 30 mm | 50 mm |
| Air consumption | 5 cm ³ | 5 cm ³ | 12 cm ³ | 16 cm ³ | 30 cm ³ | 46 cm ³ |
| Actuation time | 20 ms | 20 ms | 50 ms | 60 ms | 150 ms | 250 ms |
| Stud | ø 14 mm | ø 20 mm | ø 14 mm | ø 20 mm | ø 20 mm | ø 20 mm |
| Weight | 50 g | 65 g | 75 g | 110 g | 145 g | 195 g |

CODING EXAMPLE

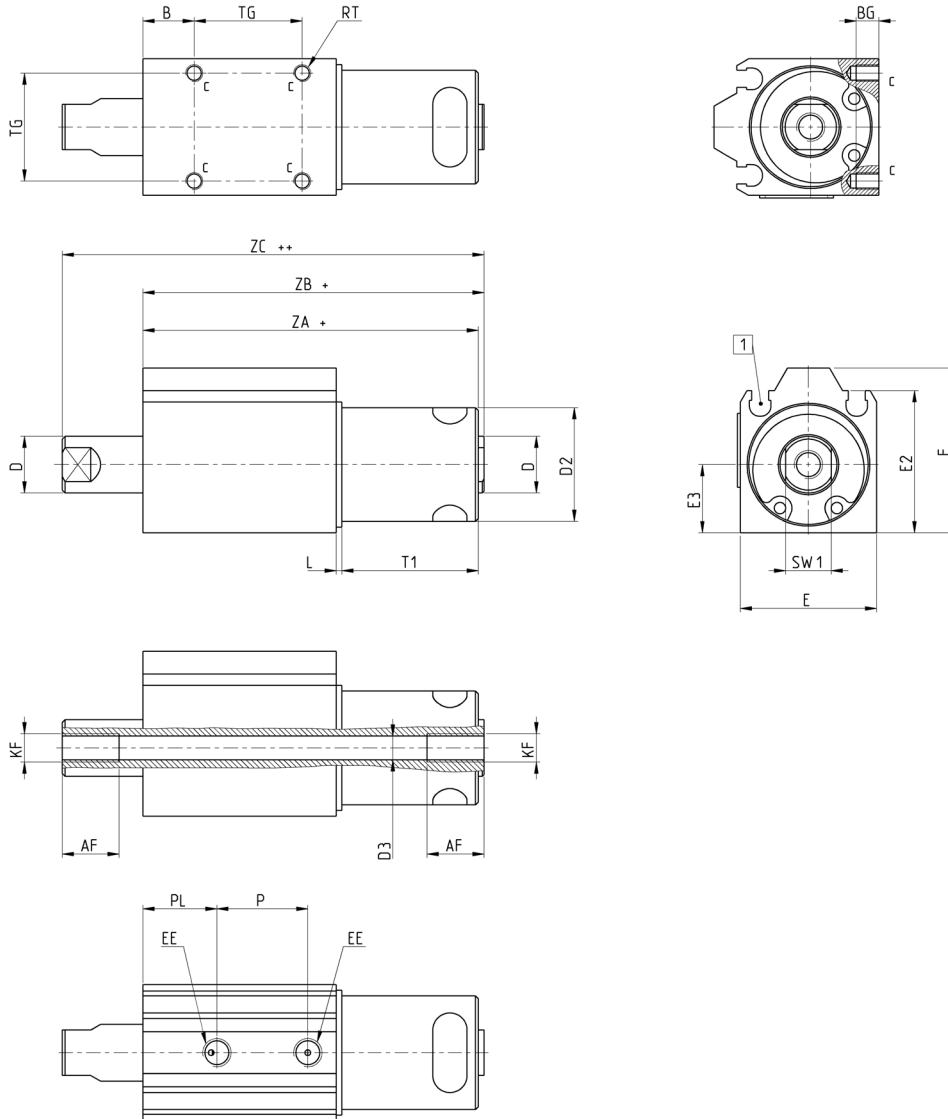
| | | | | | |
|------------|-----------|----------|------------|----------|-----------|
| RPA | 20 | R | 010 | A | 20 |
|------------|-----------|----------|------------|----------|-----------|

| | |
|------------|--|
| RPA | SERIES |
| 20 | BORE: 020 = 20 mm 030 = 30 mm |
| R | VERSION: R = non-rotating |
| 010 | STROKE: 010 = 10 mm 015 = 15 mm 020 = 20 mm 025 = 25 mm 050 = 50 mm |
| A | CONSTRUCTION: A = standard |
| 20 | STUD: 14 = 14 mm 20 = 20 mm |

Series RPA short-stroke cylinders



+ = add the stroke
++ = add the stroke twice



| Mod. | Bore | Stroke | AF | B | BG | D | D2 | D3 | E | E2 | E3 | EE | F | KF | L | P | PL | RT | SW1 | T1 | TG | ZA | ZB | ZC |
|--------------|------|--------|----|----|----|-----|-----|------|----|----|----|----|----|------|---|------|------|----|-----|----|----|-----|-----|-------|
| RPA20R010A20 | 20 | 10 | 10 | 9 | 4 | Ø10 | Ø20 | Ø4.2 | 24 | 25 | 12 | M5 | 29 | M5 | 1 | 16 | 13 | M3 | 8 | 24 | 19 | 59 | 60 | 74.2 |
| RPA20R010A14 | 20 | 10 | 10 | 9 | 4 | Ø10 | Ø14 | Ø4.2 | 24 | 25 | 12 | M5 | 29 | M5 | 1 | 16 | 13 | M3 | 8 | 24 | 19 | 59 | 60 | 74.2 |
| RPA20R025A14 | 20 | 25 | 10 | 24 | 4 | Ø10 | Ø14 | Ø4.2 | 24 | 25 | 12 | M5 | 29 | M5 | 1 | 31 | 13 | M3 | 8 | 39 | 19 | 89 | 90 | 119.2 |
| RPA30R015A20 | 30 | 15 | 10 | 7 | 6 | Ø15 | Ø20 | Ø8.8 | 34 | 35 | 17 | M5 | 39 | G1/8 | 3 | 23.3 | 10.1 | M4 | 13 | 25 | 28 | 67 | 68 | 87.2 |
| RPA30R030A20 | 30 | 30 | 10 | 7 | 6 | Ø15 | Ø20 | Ø8.8 | 34 | 35 | 17 | M5 | 39 | G1/8 | 3 | 38.3 | 10.1 | M4 | 13 | 38 | 28 | 95 | 96 | 130.2 |
| RPA30R050A20 | 30 | 50 | 10 | 27 | 6 | Ø15 | Ø20 | Ø8.8 | 34 | 35 | 17 | M5 | 39 | G1/8 | 3 | 58.3 | 10.1 | M4 | 13 | 58 | 28 | 135 | 136 | 190.2 |

Mounting examples

