

Bellows suction pads (oval) for Packaging

Series VPOL - 1,5 folds



Suction pads in Elastodur ED-65 or Silicone.
Dimensions from 60x20 to 100x40 mm with thread size G1/8 and G1/4,
both male and female.



- » Elastodur ED-65 guarantees a high resistance to wear, tripling the service life compared to NBR.
- » Ideal design for long and narrow packagings.
- » High rigidity and stability even during strong accelerations or emergency stops.

Series VPOL suction pads consist of a nipple and rubber part which are delivered assembled. Both components can be ordered separately as spare parts.

These suction pads are very suitable for the handling of packagings like rigid cardboard boxes or trays.

Common applications are:
-Palletising and de-palletising processes
-Heavy-duty applications in terms of hold and wear.
-Loading from the top and from the side in cartoning machines.

GENERAL DATA

Description	robust hard-wearing suction pads consisting of suction pad VPOL and connection nipple
Construction	- nipples and suction pads are supplied already assembled - diameters of 60 mm and more: nipple screwed into supporting plate vulcanised to the pad
Maintenance	it is possible to replace the soft element
Working temperature	ELASTODUR version: -40°C ÷ +100°C (for short time <30 sec.); -25°C ÷ +80°C (long-term) SILICONE version: -40°C ÷ +220°C (for short time <30 sec.); -30°C ÷ +180°C (long-term)

TECHNICAL DATA

SERIES VPOL BELLOWS SUCTION PADS

Mod./Diameter	Suction force (N)*	Int. volume (cm ³)	Min. convex curvature radius (mm)	Internal tube diameter (mm)
VPOL 0350-150	12,60	2,2	10,0	6
VPOL 0600-200	32,5	11,0	25,0	6
VPOL 0600-250	36,60	11,54	-	8
VPOL 0800-350	74,70	26,2	30,0	8
VPOL 1000-400	111,2	60,1	50,0	6

CODING EXAMPLE

VP	O	L	-	0350-150	E	-	G1/8	M
-----------	----------	----------	----------	-----------------	----------	----------	-------------	----------

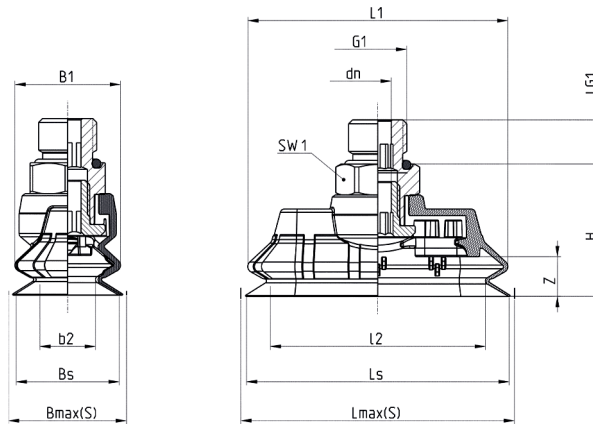
VP	SERIES VP = suction pad
O	SHAPE O = oval
L	VERSION L = 1,5 folds
0350-150	DIAMETERS 0350-150 = 35,0 x 15,0 mm 0600-200 = 60,0 x 20,0 mm 0600-250 = 60,0 x 25,0 mm 0800-350 = 80,0 x 35,0 mm 1000-400 = 100,0 x 40,0 mm
E	MATERIALS E = elastodur S = silicone
G1/8	THREAD SIZE 1/8 = G1/8 1/4 = G1/4
M	THREAD M = male F = female

Suction pad VPOL-0350-150 to 0800-350 - male thread

* = (E) for suction pad in elastodur - (S) for suction pad in Silicone
(add the required letter when placing an order)



Tolerances for elastomer parts according to DIN ISO 3302-1 E3



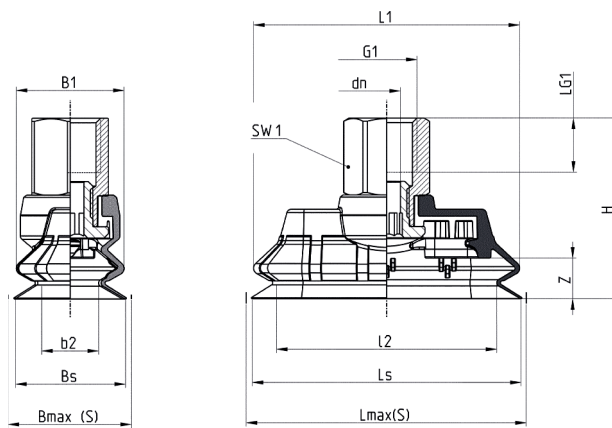
Mod.	B1	b2	Bmax	Bs	dn	G1	H	L1	L2	LG1	Ls	Lmax	SW1	Z	Suction pad	Nipple
VPOL-0350-150*-1/8M	15	8	17	15	4,1	G1/8 M	19	35	28	8	35	37	14	4,0	VPOL-0350-150*	NPS-B-1/8-M
VPOL-0600-250*-1/4M	25	14	27	25	6,1	G1/4 M	30,2	60	49	10	60	62	17	9,0	VPOL-0600-250*	NPS-E-1/4-M
VPOL-0800-350*-1/4M	35	21	38	35	6,1	G1/4 M	34,2	80	66	10	80	83	17	11,0	VPOL-0800-350*	NPS-E-1/4-M

Suction pad VPOL-0350-150 to 0800-350 - female thread

* = (E) for suction pad in elastodur - (S) for suction pad in Silicone
(add the required letter when placing an order)



Tolerances for elastomer parts according to DIN ISO 3302-1 E3



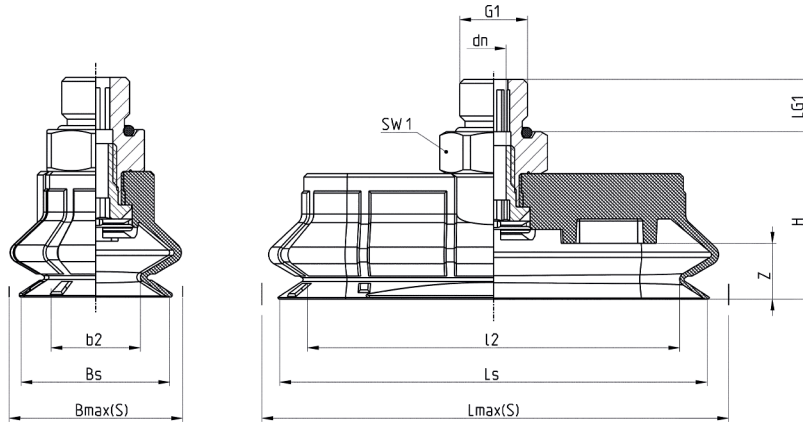
Mod.	B1	b2	Bmax	Bs	dn	G1	H	L1	L2	LG1	Ls	Lmax	SW1	Z	Suction pad	Nipple
VPOL-0350-150*-1/8F	15	8	17	15	4,1	G1/8 F	27	35	28	8	35	37	14	4	VPOL-0350-150*	NPS-B-1/8-F
VPOL-0600-250*-1/4F	25	14	27	25	6,1	G1/4 F	40,2	60	49	12	60	62	17	9	VPOL-0600-250*	NPS-E-1/4-F
VPOL-0800-350*-1/4F	35	21	38	35	6,1	G1/4 F	44,2	80	66	12	80	83	17	11	VPOL-0800-350*	NPS-E-1/4-F

Suction pad VPOL-0600-200 to 1000-400 - male thread

* = (E) for suction pad in elastodur - (S) for suction pad in Silicone
(add the required letter when placing an order)



Tolerances for elastomer parts according to DIN ISO 3302-1 E3



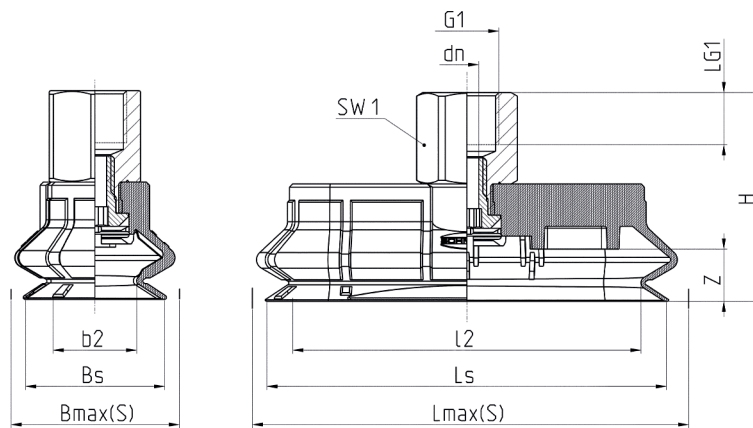
Mod.	b2	Bmax	Bs	dn	G1	H	Lg1	Lmax	Ls	l2	SW1	Z	Suction pad	Nipple
VPOL-0600-200*1/8M	12,8	27,5	21,4	3,6	G1/8 M	24	7,5	67	61,4	53,5	14	8	VPOL-0600-200*	NPS-B-1/8-M
VPOL-1000-400*1/4M	25,9	52,0	41,4	6,1	G1/4 M	37	10,0	113	104,4	88,9	17	16	VPOL-1000-400*	NPS-E-1/4-M

Suction pad VPOL-0600-200 to 1000-400 - female thread

* = (E) for suction pad in elastodur - (S) for suction pad in Silicone
(add the required letter when placing an order)



Tolerances for elastomer parts according to DIN ISO 3302-1 E3



Mod.	b2	Bmax	Bs	dn	G1	H	Lg1	Lmax	Ls	l2	SW1	Z	Suction pad	Nipple
VPOL-0600-200*1/8F	12,8	27,5	21,4	3,6	G1/8 F	32	8,0	67	61,4	53,5	14	8	VPOL-0600-200*	NPS-B-1/8-F
VPOL-1000-400*1/4F	25,9	52,0	41,4	6,1	G1/4 F	47	12,0	113	104,4	88,9	17	16	VPOL-1000-400*	NPS-E-1/4-F