



# Short stroke cylinders with non-rotating rod

## Series RPA

Double-effect, magnetic  
With hollow through rod and mounting stud  
Bores: 20 and 30 mm



The Series RPA short stroke cylinders are double acting actuators with aluminium hollow through rod and mounting stud. Available in two sizes,  $\varnothing$  20 and  $\varnothing$  30 mm, with different strokes and dimensions of the mounting stud, these actuators are equipped with the non-rotating function of the rod.

The Series RPA are prepared for the mounting of magnetic sensors (Series CSD), in fact, on the external profile, along the cylinder tube, you can find sensor positioning slots. Their compact and light design together with the adopted technical solutions make these cylinders suitable to be used, combined with suction pads, in End Of Arm Tooling (EOAT) systems, especially in the sector of plastic injection moulding.

- » Clean and robust design
- » Light
- » Fixing from the body or with mounting stud
- » Hard anodized aluminium rod
- » Hollow through rod
- » Non-rotating rod
- » Slots on both sides for the positioning of magnetic proximity switches
- » Large range of standard

### GENERAL DATA

Type of construction	Short stroke
Operation	Double acting, hollow through rod
Materials	Anodized aluminium body, piston and rod HNBR seals
Operating pressure	2 ÷ 8 bar
Operating temperature	5°C ÷ 60°C
Medium	Filtered air in class 7.4.4 according to ISO 8573-1
Lubrication	Not necessary. A pre-lubrication is performed on the cylinder. In case lubricated air is used, we recommend ISOVG32 oil and to never interrupt lubrication.
Mounting	Stud / threaded holes on the body
Use with external sensors	Slots on both sides for Series CSD sensors
Anti-rotation function	With self-lubricating technopolymer anti-friction pads

**Technical specifications**

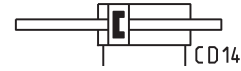
Models	RPA20R010A14	RPA20R010A20	RPA20R025A14	RPA30R015A20	RPA30R030A20	RPA30R050A20
<b>Bore</b>	ø 20 mm	ø 20 mm	ø 20 mm	ø 30 mm	ø 30 mm	ø 30 mm
<b>Force (6 bar)</b>	130 N	130 N	130 N	300 N	300 N	300 N
<b>Stroke</b>	10 mm	10 mm	25 mm	15 mm	30 mm	50 mm
<b>Air consumption</b>	5 cm <sup>3</sup>	5 cm <sup>3</sup>	12 cm <sup>3</sup>	16 cm <sup>3</sup>	30 cm <sup>3</sup>	46 cm <sup>3</sup>
<b>Actuation time</b>	20 ms	20 ms	50 ms	60 ms	150 ms	250 ms
<b>Stud</b>	ø 14 mm	ø 20 mm	ø 14 mm	ø 20 mm	ø 20 mm	ø 20 mm
<b>Weight</b>	50 g	65 g	75 g	110 g	145 g	195 g

**CODING EXAMPLE**

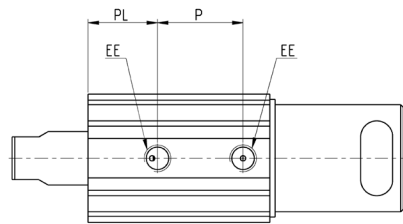
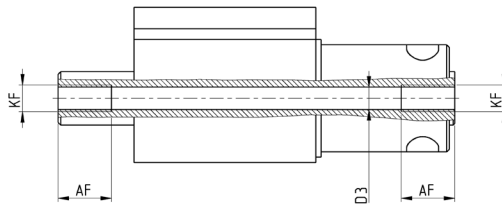
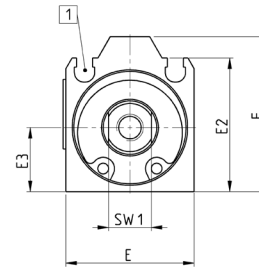
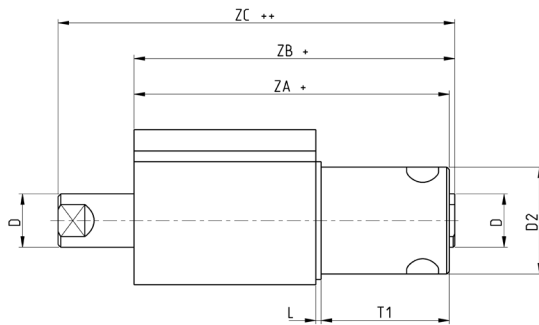
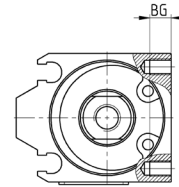
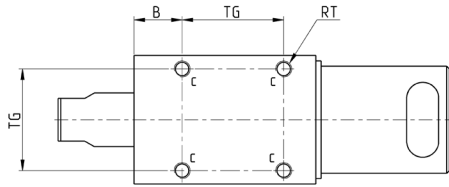
<b>RPA</b>	<b>20</b>	<b>R</b>	<b>010</b>	<b>A</b>	<b>20</b>
------------	-----------	----------	------------	----------	-----------

<b>RPA</b>	SERIES
<b>20</b>	BORE: 020 = 20 mm 030 = 30 mm
<b>R</b>	VERSION: R = non-rotating
<b>010</b>	STROKE: 010 = 10 mm 015 = 15 mm 025 = 25 mm 030 = 30 mm 050 = 50 mm
<b>A</b>	CONSTRUCTION: A = standard
<b>20</b>	STUD: 14 = 14 mm 20 = 20 mm

**Series RPA short-stroke cylinders**

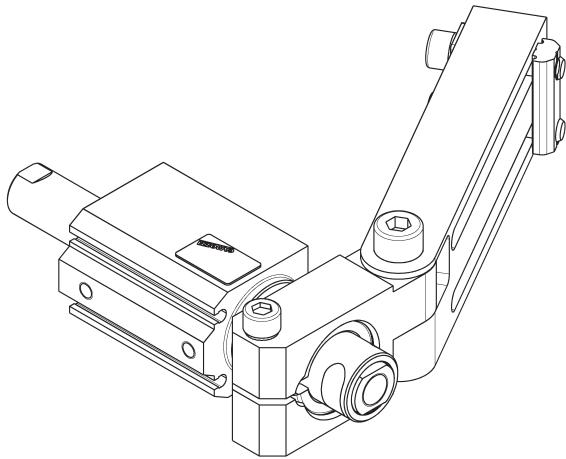
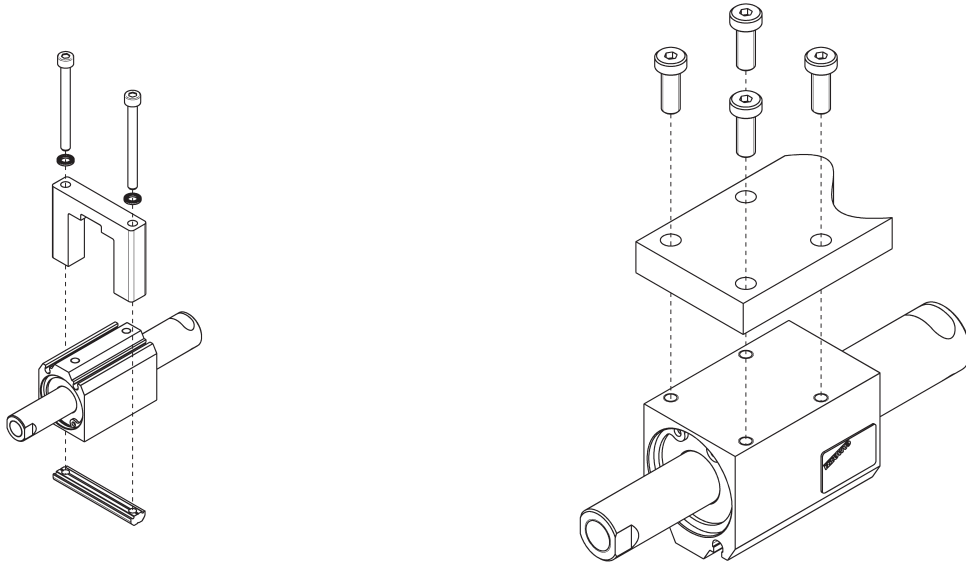


+ = add the stroke  
 ++ = add the stroke twice



Mod.	Bore	Stroke	AF	B	BG	D	D2	D3	E	E2	E3	EE	F	KF	L	P	PL	RT	SW1	T1	TG	ZA	ZB	ZC
RPA20R010A20	20	10	10	9	4	Ø10	Ø20	Ø4.2	24	25	12	M5	29	M5	1	16	13	M3	8	24	19	59	60	74.2
RPA20R010A14	20	10	10	9	4	Ø10	Ø14	Ø4.2	24	25	12	M5	29	M5	1	16	13	M3	8	24	19	59	60	74.2
RPA20R025A14	20	25	10	24	4	Ø10	Ø14	Ø4.2	24	25	12	M5	29	M5	1	31	13	M3	8	39	19	89	90	119.2
RPA30R015A20	30	15	10	7	6	Ø15	Ø20	Ø8.8	34	35	17	M5	39	G1/8	3	23.3	10.1	M4	13	25	28	67	68	87.2
RPA30R030A20	30	30	10	7	6	Ø15	Ø20	Ø8.8	34	35	17	M5	39	G1/8	3	38.3	10.1	M4	13	38	28	95	96	130.2
RPA30R050A20	30	50	10	27	6	Ø15	Ø20	Ø8.8	34	35	17	M5	39	G1/8	3	58.3	10.1	M4	13	58	28	135	136	190.2

### Mounting examples



ATTUAZIONE PNEUMATICA