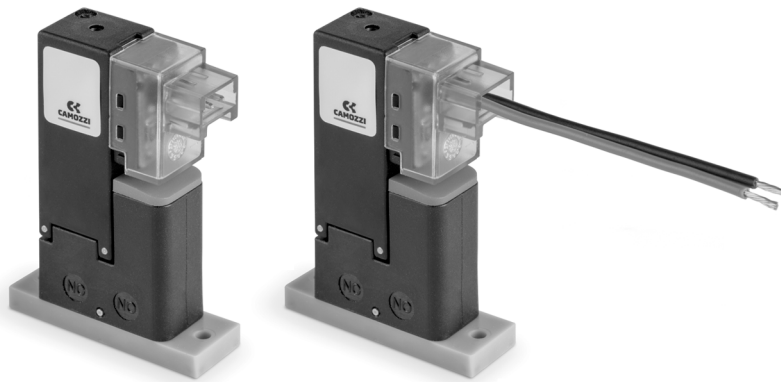


# Media separated solenoid valves

## Series LDV



2/2-way - Normally Closed (NC)  
 2/2-way - Normally Open (NO)  
 3/2-way - Universal (UNI)



- » Suitable to be used with neutral or aggressive or heat sensitive fluids
- » Suitable for specific applications on medical and analytical equipment or instruments
- » Compact design

To choose the most suitable model for a specific application, check the chemical compatibility of the medium with the available materials of body and seals.

The Series LDV are solenoid valves designed to control critical media such as aggressive, high purity liquids or gases or thermosensitive fluids. These valves prevent the controlled media from interacting with the internal mechanical part of the valve. The orifices are open or closed by a separation element on which acts a mechanism moved by a solenoid actuator.

### GENERAL DATA

#### TECHNICAL FEATURES

Function	2/2 NC - 2/2 NO - 3/2 NC - 3/2 NO - 3/2 UNI
Operation	direct acting with fluid separation membrane
Pneumatic connections	flanged for subbase or manifold
Orifice diameter	0.8 ... 1.6 mm
Flow coefficient kv (l/min)	0.3 ... 0.8
Operating pressure	-0.95 ... 6.0 bar
Operating temperature	0 ÷ 50 °C (FKM/EPDM) / 10 ÷ 50 °C (FFKM)
Media	inert or corrosive liquids and gases compatible with the materials in contact
Response time	ON ≤20 ms - OFF ≤20 ms
Installation	in any position

#### MATERIALS IN CONTACT WITH THE MEDIUM

Body	PEEK
Seals	FKM - EPDM - FFKM

#### ELECTRICAL FEATURES

Voltage	6 ... 24 V DC - other voltages on demand
Voltage tolerance	±5%
Power consumption	2.7 W
Duty cycle	ED 100%
Electrical connection	connector mod. 121-8... - 300 mm flying leads
Protection class	IP54 with connector
Special versions available on request	industrial standard form C (9.4 mm)

**CODING EXAMPLE**

<b>LDV</b>	<b>1</b>	<b>6</b>	<b>0</b>	<b>-</b>	<b>B2</b>	<b>3</b>	<b>G</b>	<b>-</b>	<b>1</b>	<b>8</b>	<b>M</b>	
------------	----------	----------	----------	----------	-----------	----------	----------	----------	----------	----------	----------	--

<b>LDV</b>	SERIES
<b>1</b>	BODY DESIGN 1 = flanged body for sub-base
<b>6</b>	NUMBER OF WAYS - FUNCTION 1 = 2/2-way - NC 2 = 2/2-way - NO 6 = 3/2-way - UNI
<b>0</b>	PNEUMATIC CONNECTION 0 = on sub-base or manifold
<b>B2</b>	ORIFICE DIAMETER A8 = Ø 0.8 mm B2 = Ø 1.2 mm B6 = Ø 1.6 mm
<b>3</b>	SEAL MATERIAL 3 = FKM 4 = EPDM 5 = FFKM
<b>G</b>	BODY MATERIAL G = PEEK
<b>1</b>	ELECTRICAL CONNECTION 1 = industrial standard form C (9.4 mm)
<b>8</b>	VOLTAGE - POWER CONSUMPTION 6 = 6 V DC - 2.7 W 7 = 12 V DC - 2.7 W 8 = 24 V DC - 2.7 W
<b>M</b>	FIXING M = fixing screws
	OPTIONS = standard

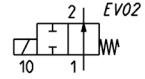
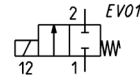
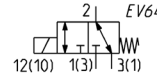
SERIES LDV SOLENOID VALVES

## Series LDV solenoid valve

Manca Foto

Supplied with:  
1x interface seal  
2x M2.5x12 screws

\* add  
- SEAL MATERIAL  
- VOLTAGE  
(see CODING EXAMPLE)



# Manca Disegno

Mod.	Function	Orifice Ø (mm)	kv (l/min)	Min ÷ max pressure (bar)	Body material	Seals material	Power (W)	Symbol
LDV110-A8°G-1°M	2/2 NC	0.8	0.3	-0.95 ÷ 6.0	PEEK	FKM / EPDM / FFKM	2.7	EV01
LDV110-B2°G-1°M	2/2 NC	1.2	0.6	-0.95 ÷ 5.0	PEEK	FKM / EPDM / FFKM	2.7	EV01
LDV110-B6°G-1°M	2/2 NC	1.6	0.8	-0.95 ÷ 2.0	PEEK	FKM / EPDM / FFKM	2.7	EV01
LDV120-A8°G-1°M	2/2 NO	0.8	0.3	-0.95 ÷ 6.0	PEEK	FKM / EPDM / FFKM	2.7	EV02
LDV120-B2°G-1°M	2/2 NO	1.2	0.6	-0.95 ÷ 5.0	PEEK	FKM / EPDM / FFKM	2.7	EV02
LDV120-B6°G-1°M	2/2 NO	1.6	0.8	-0.95 ÷ 2.0	PEEK	FKM / EPDM / FFKM	2.7	EV02
LDV160-A8°G-1°M	3/2 UNI	0.8	0.3	-0.95 ÷ 6.0	PEEK	FKM / EPDM / FFKM	2.7	EV64
LDV160-B2°G-1°M	3/2 UNI	1.2	0.6	-0.95 ÷ 5.0	PEEK	FKM / EPDM / FFKM	2.7	EV64
LDV160-B6°G-1°M	3/2 UNI	1.6	0.8	-0.95 ÷ 2.0	PEEK	FKM / EPDM / FFKM	2.7	EV64

**Single subbase for Series LDV solenoid valve**

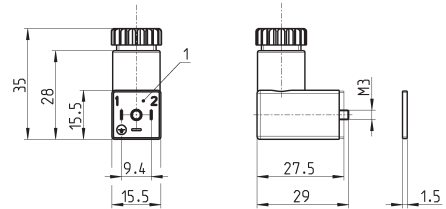
Material: PEEK  
Connections: M5 or 1/4-28 UNF threads

Manca Foto

**Manca  
Disegno**

DIMENSIONS	
Mod.	A
LDV001-1/4	1/4 - 28 UNF
LDV001-M5	M5

**Connector Mod. 125-... - industrial std. 9.4 mm**



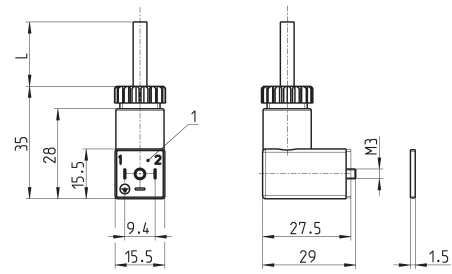
Mod.	description	colour	working voltage	cable gland	tightening torque
125-601	connector, diode + Led	transparent	10/50 V DC	PG7	0.3 Nm
125-701	connector, varistor + Led	transparent	24 V AC/DC	PG7	0.3 Nm
125-800	connector, without electronics	black	-	PG7	0.3 Nm

1 = 90° adjustable connector

**Connector Mod. 125-... - industrial std. 9.4 mm - 90° cable**



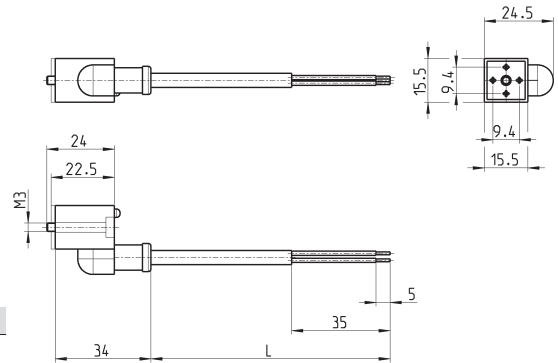
The internal rectifier circuit of the connector Mod. 125-900 allows to use solenoid valves with different AC voltage, even if the voltage indicated on the solenoid valve is DC.



1 = 90° adjustable connector

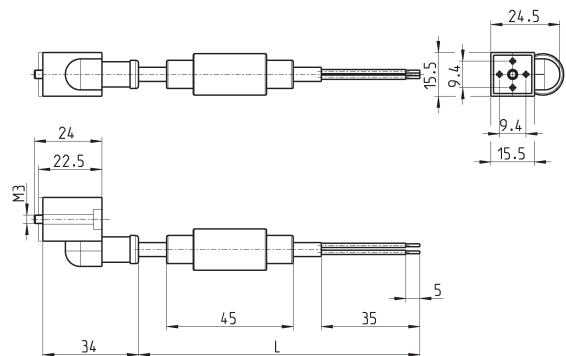
Mod.	description	colour	working voltage	cable length [L]	cable gland	tightening torque
125-501-2	moulded cable with diode + Led	black	10/50 V DC	2000 mm	-	0.3 Nm
125-550-1	moulded cable, without electronics	black	-	1000 mm	-	0.3 Nm
125-601-2	pre-wired cable, diode + Led	transparent	10/50 V DC	2000 mm	PG7	0.3 Nm
125-571-3	moulded cable, varistor + Led	black	24 V AC/DC	3000 mm	-	0.3 Nm
125-900	pre-wired cable with voltage rectifier	black	6 V - 110 V AC/DC	2000 mm	PG7	0.3 Nm

**Connector Mod. 125-... - industrial std. 9.4 mm - in-line cable**



Mod.	description	colour	working voltage	cable length [L]	cable gland	tightening torque
125-503-2	in-line moulded cable, with diode + Led	black	24 V DC	2000 mm	-	0.3 Nm
125-503-5	in-line moulded cable, with diode + Led	black	24 V DC	5000 mm	-	0.3 Nm
125-553-2	in-line moulded cable, without electronics	black	-	2000 mm	-	0.3 Nm
125-553-5	in-line moulded cable, without electronics	black	-	5000 mm	-	0.3 Nm

**Conn. Mod. 125-... - ind. std. 9.4 mm - in-line cable+rectifier**



Mod.	description	colour	working voltage	cable length [L]	cable gland	tightening torque
125-903-2	in-line moulded cable with voltage rectifier	black	6 V - 230 V AC/DC	2000 mm	-	0.3 Nm
125-903-5	in-line moulded cable with voltage rectifier	black	6 V - 230 V AC/DC	5000 mm	-	0.3 Nm