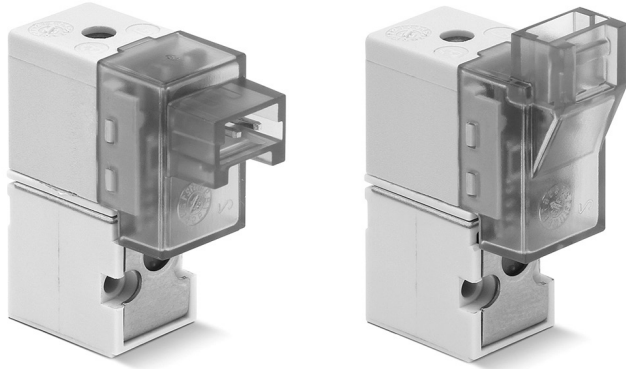


Direct acting solenoid valves

Series KN and KN High Flow

3/2-way - Normally Closed (NC) and Normally Open (NO)
3/2-way - Universal (UNI)



- » Low energy consumption
- » Compact design
- » High Flow
- » ISO 15218 Interface
- » Version for use with oxygen available

Thanks to its low energy consumption and to its compact design, the KN miniaturized solenoid valve can be used in industrial and scientific applications.

The Series KN direct acting solenoid valves are available also in the high flow version (KN High Flow).

GENERAL DATA

TECHNICAL FEATURES

Function	3/2 NC - 3/2 NO - 3/2 UNI
Operation	direct acting poppet type
Pneumatic connections	on subbase with ISO 15218 interface
Orifice diameter	0.65 ... 1.1 mm
Flow coefficient kv (l/min)	0.15 ... 0.39
Operating pressure	0 ÷ 3 ... 7 bar
Operating temperature	0 ÷ 50 °C
Media	filtered compressed air, unlubricated, according to ISO 8573-1:2010 class [3:4:3], inert gas
Response time	ON <10 ms - OFF <10 ms
Manual override	monostable
Installation	in any position

MATERIALS IN CONTACT WITH THE MEDIUM

Body	PBT
Seals	NBR - FKM
Internal parts	stainless steel

ELECTRICAL FEATURES

Voltage	5 ... 24 V DC - other voltages on demand
Voltage tolerance	±10%
Power consumption	1.3/0.25 ... 4/1 W (inrush/holding)
Duty cycle	ED 100%
Electrical connection	connector mod. 121-8...
Protection class	IP50

Special versions available on demand

CODING EXAMPLE

KN	0	00	-	3	0	3	-	K	1	3
-----------	----------	-----------	----------	----------	----------	----------	----------	----------	----------	----------

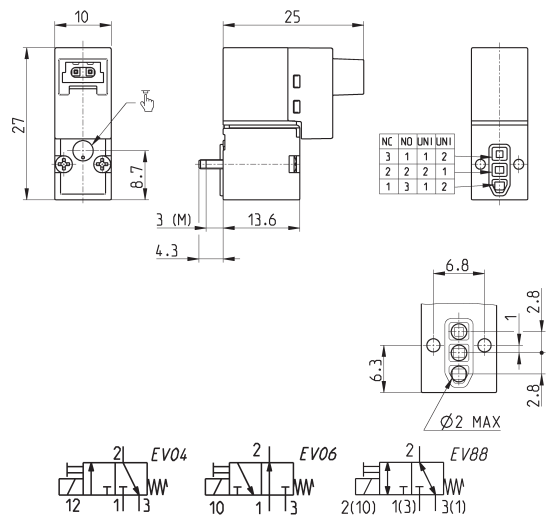
KN	SERIES
0	BODY DESIGN 0 = single valve
00	NUMBER OF POSITIONS 00 = interface
3	NUMBER OF WAYS - FUNCTIONS 3 = 3/2-way - NC 4 = 3/2-way - NO 7 = 3/2-way - UNI
0	PORTS 0 = ISO 15218 on subbase or manifold
3	ORIFICE DIAMETER 3 = Ø 0.65 mm 5 = Ø 1.1 mm - only for NC version with minimum pressure required to operate 6 = Ø 1.1 mm
K	MATERIALS F = PBT body - FKM poppet - FKM other seals K = PBT body - FKM poppet - NBR other seals
1	ELECTRICAL CONNECTION 1 = 90° connection with protection and led B = in-line connection with protection and led
3	VOLTAGE - POWER CONSUMPTION 2 = 12 V DC - 1.3/0.25 W 3 = 24 V DC - 1.3/0.25 W 5 = 5 V DC - 4/1 W 7 = 12 V DC - 4/1 W 8 = 24 V DC - 4.1 W
	FIXING = fixing screws for plastic M = fixing screws for metal
	OPTIONS = standard OX2 = for use with oxygen (non volatile residual less than 33 mg/m ³)

SERIES KN AND KN HIGH FLOW SOLENOID VALVES

Series KN solenoid valve - 3/2-way - 90° connector



Supplied with:
1x interface seal
2x Ø1.6x16 screws for mounting on plastic
or
2x M1.6x14.7 screws for mounting on metal



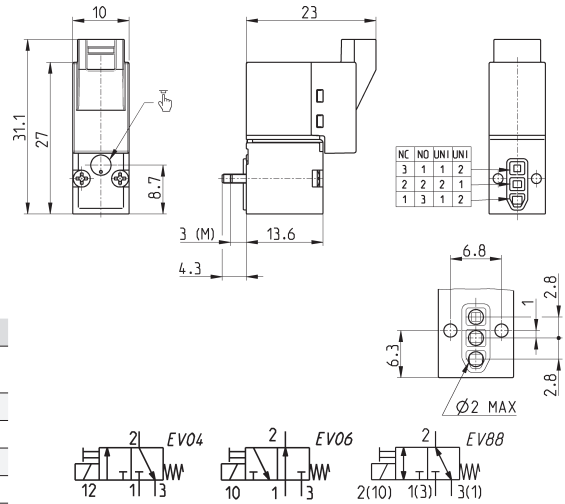
Mod.	Function	Orifice Ø (mm)	kv (l/min)	Min+max pressure (bar)	Power (W)	Symb.
KN000-303-K1*	3/2 NC	0.65	0.15	0 ÷ 7	1.3 / 0.25	EV04
KN000-303-F1*	3/2 NC	0.65	0.15	0 ÷ 7	1.3 / 0.25	EV04
KN000-305-F1*	3/2 NC	1.1	0.39	3 ÷ 7	4 / 1	EV04
KN000-306-F1*	3/2 NC	1.1	0.39	0 ÷ 3	4 / 1	EV04
KN000-403-F1*	3/2 NO	0.65	0.15	0 ÷ 7	1.3 / 0.25	EV06
KN000-703-F1*	3/2 UNI	0.65	0.15	0 ÷ 4	1.3 / 0.25	EV88
KN000-706-F1*	3/2 UNI	1.1	0.39	0 ÷ 1.5	4 / 1	EV88

* add
- VOLTAGE
(see CODING EXAMPLE)

Series KN solenoid valve - 3/2-way - in-line connector



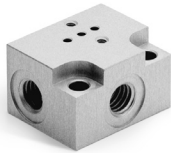
Supplied with:
 1x interface seal
 2x Ø1.6x16 screws for mounting on plastic
 or
 2x M1.6x14.7 screws for mounting on metal



Mod.	Function	Orifice Ø (mm)	kv (l/min)	Min+max pressure (bar)	Power (W)	Symb.
KN000-303-KB*	3/2 NC	0.65	0.15	0 ÷ 7	1.3 / 0.25	EV04
KN000-303-FB*	3/2 NC	0.65	0.15	0 ÷ 7	1.3 / 0.25	EV04
KN000-305-FB*	3/2 NC	1.1	0.39	3 ÷ 7	4 / 1	EV04
KN000-306-FB*	3/2 NC	1.1	0.39	0 ÷ 3	4 / 1	EV04
KN000-403-FB*	3/2 NO	0.65	0.15	0 ÷ 7	1.3 / 0.25	EV06
KN000-703-FB*	3/2 UNI	0.65	0.15	0 ÷ 4	1.3 / 0.25	EV88
KN000-706-FB*	3/2 UNI	1.1	0.39	0 ÷ 1.5	4 / 1	EV88

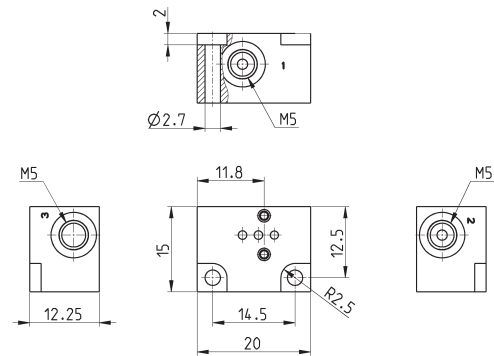
* add
 - VOLTAGE
 (see CODING EXAMPLE)

Single sub-base for 3-way solenoid valve size 10 mm



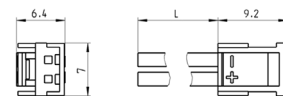
Single sub-base suitable for Series KN - KL -KLE 3-way solenoid valve
 Use solenoid valves with screws for mounting on metal (see coding)

Material: anodized aluminium
 Connections: M5 threads



Mod.
KN01-02

Connector with flying leads Mod. 121-8..



Mod.	description	colour	L = cable length (mm)	cable holding
121-803	crimped cable	black	300	crimping
121-806	crimped cable	black	600	crimping
121-810	crimped cable	black	1000	crimping
121-830	crimped cable	black	3000	crimping