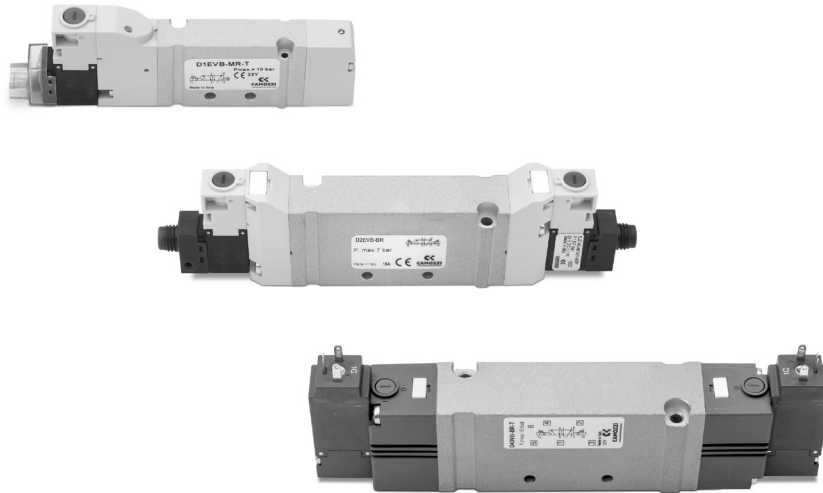


New

Series D Solenoid valves VB version

2x3/2; 5/2; 5/3-way
Manifold assembly
Size 10,5 - 16 - 25 mm



SOLENOID VALVES VB VERSION

Camozzi has developed a new series of valves for applications with limited installation space where it is necessary to have the control elements as close to the actuator as possible. Thanks to the extreme robust aluminium body, the Series D valves guarantee maximum reliability even under difficult operating conditions.

- » Flow up to 2000 Nl/min
- » Aluminium body and technopolymer end caps
- » Installation in narrow spaces
- » Electric connection also with M8 connector

GENERAL DATA

Valve construction	spool- type
Valve functions	2x3/2 NC/NO/NC+NO; 5/2; 5/3 CC/CO/CP
Materials	body, spool, bases = AL; end caps = technopolymer; seals = HNBR
Ambient temperature	0°C ÷ 50° C
Medium	compressed, filtered and non-lubricated air in class [7:4:4] according to ISO 8573-1:2010. In case lubrication should be necessary, only use oils with a maximum viscosity of 32 Cst and the version with external servo pilot. The air quality for the servo pilot should be of class [7:4:4] according to ISO 8573-1:2010
Voltage	24V DC
Voltage tolerance	± 10%
Power consumption	1W
Class of insulation	class F
Protection class	IP65 with EN 175301 C connector ("3" actuation. Ex DIN 43650)* IP65 with M8 connector ("C" actuation)* IP40 with micro connector ("E" actuation)* *See coding example

CODING EXAMPLE

D	1	E	VB	-	B	P
----------	----------	----------	-----------	----------	----------	----------

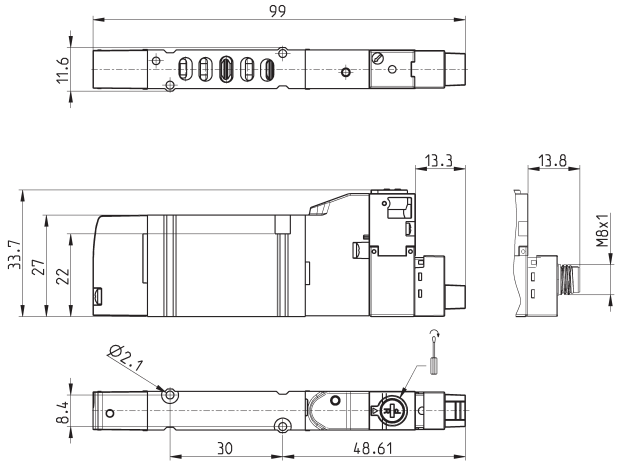
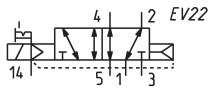
D	SERIES
1	SIZE: 1 = 10,5 mm 2 = 16 mm 4 = 25 mm
E	ACTUATION: E = electric (D1 and D2) 3 = electric 15 mm (D2 and D4) C = electric with M8 connections (D1 and D2)
VB	COMPONENT: VB = Valve with body for sub-base
B	TYPE OF SOLENOID VALVE: M = 5/2 Monostable B = 5/2 Bistable C = 2 x 3/2 NC A = 2 x 3/2 NO G = 2 x 3/2 (NC+NO) N = 5/3 CP V = 5/3 CC K = 5/3 CO
P	TYPE OF MANUAL OVERRIDE: P = push button (not for D4) R = with push and turn device
VERSION 3, through the connector with rectifier bridge 125-571-3, can be used for AC applications. (see the connectors at the end of the section)	

5/2-way solenoid valve, monostable, outlets on subbase - size 10.5



The symbols of the versions with manual override type P are shown in the Appendix.

Connectors at the end of this section



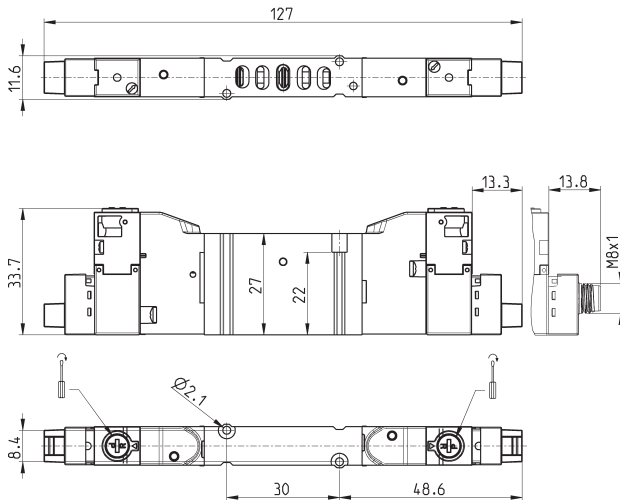
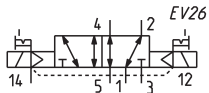
Mod.	Pilot supply pressure (bar)	Operating pressure (bar)	Flow (NL/min)	Symbol
D1EVB-MR / D1CVB-MR	2.5 ÷ 7	2.5 ÷ 10	300	EV22

5/2-way solenoid valve, bistable, outlets on subbase - size 10.5



The symbols of the versions with manual override type P are shown in the Appendix.

Connectors at the end of this section



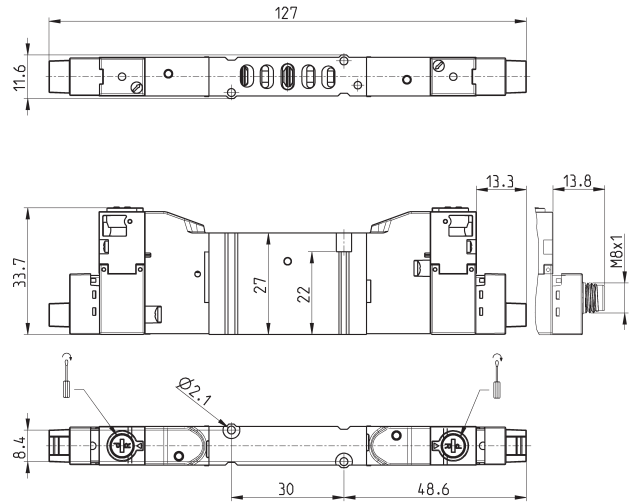
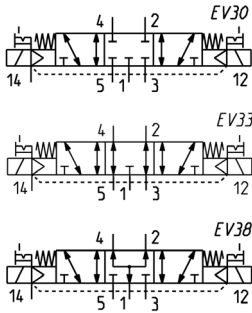
Mod.	Pilot supply pressure (bar)	Operating pressure (bar)	Flow (NL/min)	Symbol
D1EVB-BR / D1CVB-BR	2.5 ÷ 7	2.5 ÷ 10	300	EV26

5/3-way solenoid valve, outlets on subbase - size 10.5



CC = Centres Closed
 CO = Centres Open
 CP = Centres Pressurized
 The symbols of the versions with manual override type P are shown in the Appendix.

Connectors at the end of this section



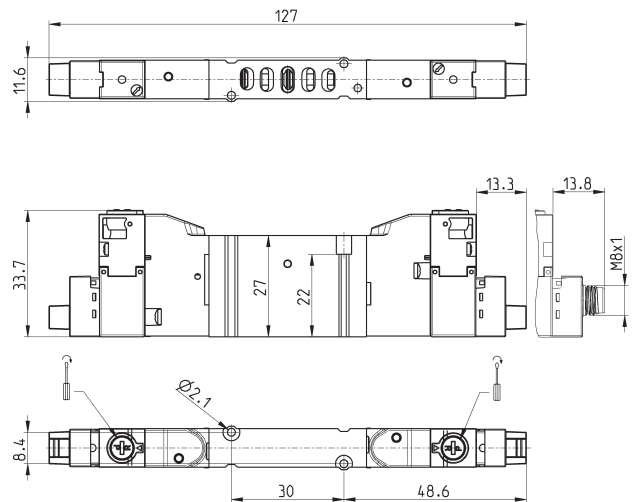
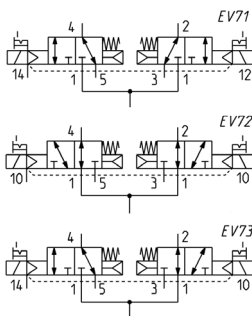
Mod.	Function	Pilot supply pressure (bar)	Operating pressure (bar)	Flow (NI/min)	Symbol
D1EVB-VR / D1CVB-VR	CC	2.5 ÷ 7	2.5 ÷ 10	260	EV30
D1EVB-KR / D1CVB-KR	CO	2.5 ÷ 7	2.5 ÷ 10	260	EV33
D1EVB-NR / D1CVB-NR	CP	2.5 ÷ 7	2.5 ÷ 10	260	EV38

2x3/2-way solenoid valve, outlets on subbase - size 10.5



These solenoid valves integrate two 3/2-way functions in the same body.
 The symbols of the versions with manual override type P are shown in the Appendix.

Connectors at the end of this section



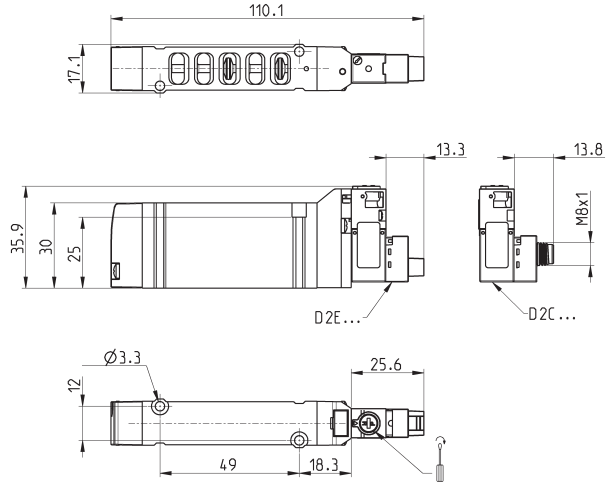
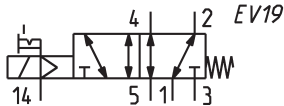
Mod.	Function	Pilot supply pressure (bar)	Operating pressure (bar)	Flow (NI/min)	Symbol
D1EVB-CR / D1CVB-CR	2 x 3/2 NC	2.5 ÷ 7	2.5 ÷ 10	280	EV71
D1EVB-AR / D1CVB-AR	2 x 3/2 NO	2.5 ÷ 7	2.5 ÷ 10	280	EV72
D1EVB-GR / D1CVB-GR	1 x 3/2 NC + 1 x 3/2 NO	2.5 ÷ 7	2.5 ÷ 10	280	EV73

5/2-way solenoid valve, monostable, outlets on subbase - size 16



The symbols of the versions with manual override type P are shown in the Appendix

Connectors at the end of this section



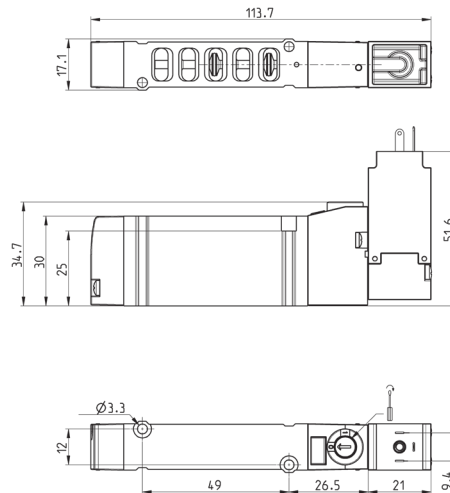
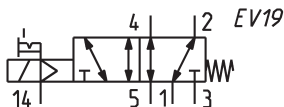
Mod.	Pilot supply pressure (bar)	Operating pressure (bar)	Flow (NL/min)	Symbol
D2EVB-MR / D2CVB-MR	3 ÷ 7	-0.9 ÷ 10	950	EV19

5/2-way solenoid valve, monostable, outlets on subbase with 15 mm coil - size 16



The symbols of the versions with manual override type P are shown in the Appendix

Connectors at the end of this section



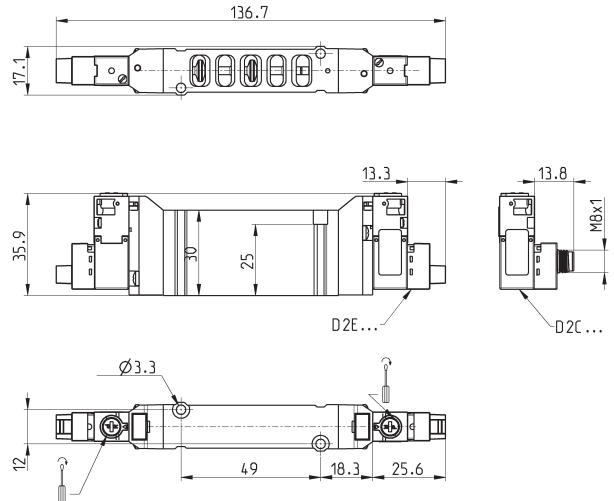
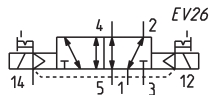
Mod.	Pilot supply pressure (bar)	Operating pressure (bar)	Flow (NL/min)	Symbol
D23VB-MR	3 ÷ 10	-0.9 ÷ 10	950	EV19

5/2-way solenoid valve, bistable, outlets on subbase - size 16

The symbols of the versions with manual override type P are shown in the Appendix



Connectors at the end of this section



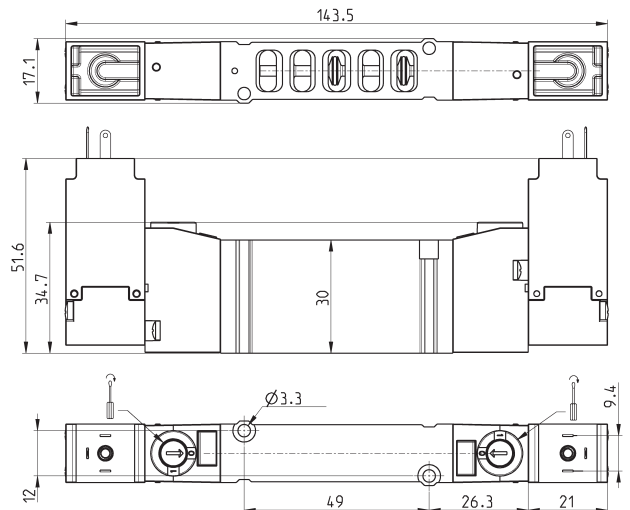
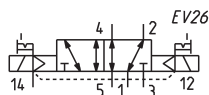
Mod.	Pilot supply pressure (bar)	Operating pressure (bar)	Flow (NL/min)	Symbol
D2EVB-BR / D2CVB-BR	1.5 ÷ 7	-0.9 ÷ 10	950	EV26

5/2-way solenoid valve, bistable, outlets on subbase with 15 mm coil - size 16

The symbols of the versions with manual override type P are shown in the Appendix



Connectors at the end of this section



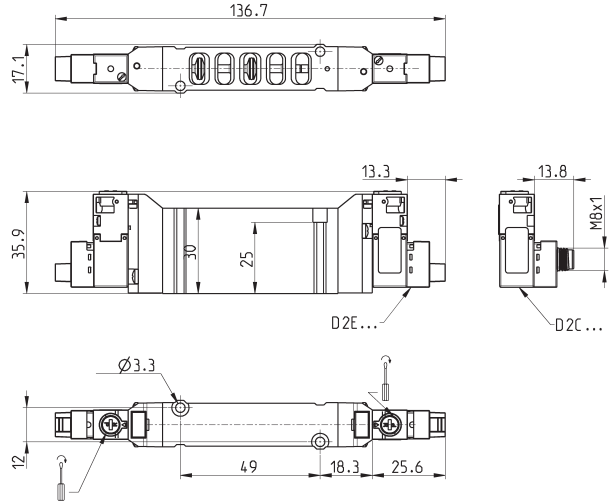
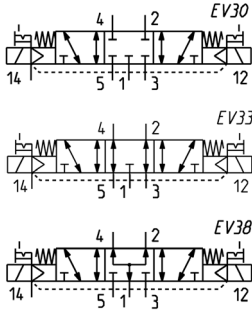
Mod.	Pilot supply pressure (bar)	Operating pressure (bar)	Flow (NL/min)	Symbol
D23VB-BR	1.5 ÷ 10	-0.9 ÷ 10	950	EV26

5/3-way solenoid valve, outlets on subbase - size 16



CC = Centres Closed
 CO = Centres Open
 CP = Centres Pressurized
 The indications given are valid for versions: D2EVB and D2CVB
 The symbols of the versions with manual override type P are available in the "appendix" section

Connectors at the end of this section



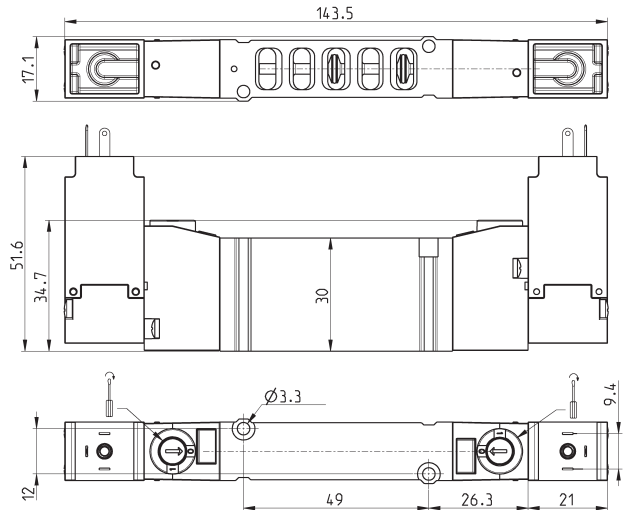
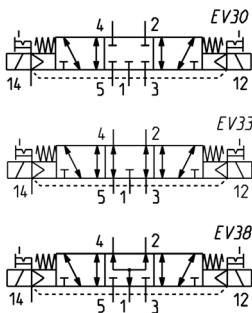
SOLENOID VALVES VB VERSION

Mod.	Function	Pilot supply pressure (bar)	Operating pressure (bar)	Flow (NL/min)	Symbol
D2EVB-VR / D2CVB-VR	CC	1.5 ÷ 7	-0.9 ÷ 10	950	EV30
D2EVB-KR / D2CVB-KR	CO	1.5 ÷ 7	-0.9 ÷ 10	950	EV33
D2EVB-NR / D2CVB-NR	CP	1.5 ÷ 7	-0.9 ÷ 10	950	EV38

5/3-way solenoid valve, outlets on subbase with 15 mm coil - size 16



CC = Centres Closed
 CO = Centres Open
 CP = Centres Pressurized
 The symbols of the versions with manual override type P are available in the "appendix" section



Mod.	Function	Pilot supply pressure (bar)	Operating pressure (bar)	Flow (NL/min)	Symbol
D23VB-VR	CC	1.5 ÷ 10	-0.9 ÷ 10	950	EV30
D23VB-KR	CO	1.5 ÷ 10	-0.9 ÷ 10	950	EV33
D23VB-NR	CP	1.5 ÷ 10	-0.9 ÷ 10	950	EV38

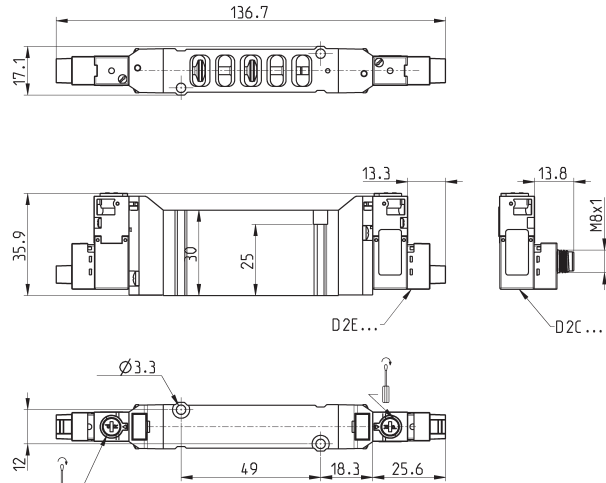
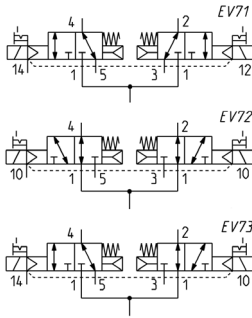
2x3/2-way solenoid valve, outlets on subbase - size 16



These solenoid valves integrate two 3/2-way functions in the same body.

The symbols of the versions with manual override type P are shown in the Appendix.

Connectors at the end of this section



Mod.	Function	Pilot supply pressure (bar)	Operating pressure (bar)	Flow (NI/min)	Symbol
D2EVB-CR / D2CVB-CR	2 x 3/2 NC	1.5 ÷ 7	-0.9 ÷ 10	950	EV71
D2EVB-AR / D2CVB-AR	2 x 3/2 NO	1.5 ÷ 7	-0.9 ÷ 10	950	EV72
D2EVB-GR / D2CVB-GR	1 x 3/2 NC + 1 x 3/2 NO	1.5 ÷ 7	-0.9 ÷ 10	950	EV73

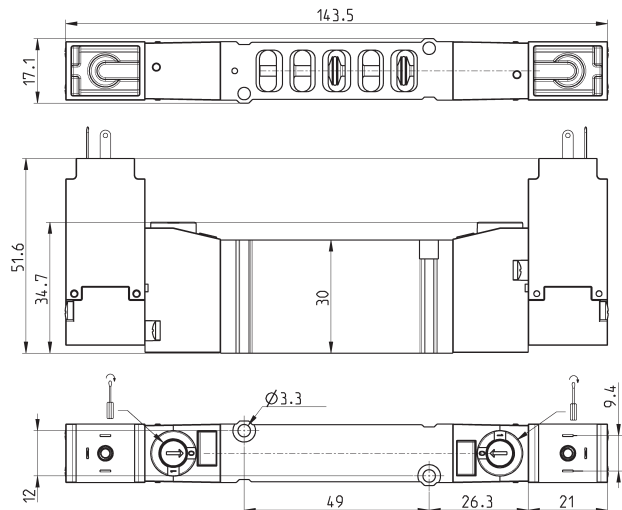
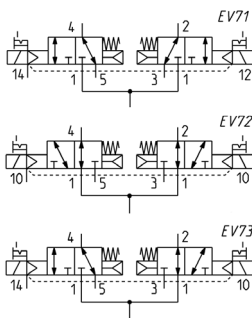
2x3/2-way solenoid valve, outlets on subbase with 15 mm coil - size 16



These solenoid valves integrate two 3/2-way functions in the same body.

The symbols of the versions with manual override type P are shown in the Appendix.

Connectors at the end of this section

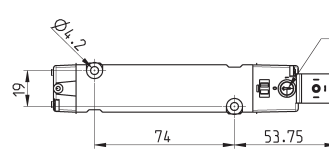
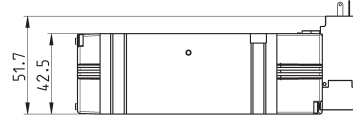
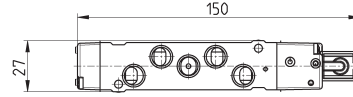
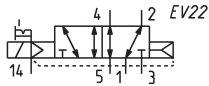


Mod.	Function	Pilot supply pressure (bar)	Operating pressure (bar)	Flow (NI/min)	Symbol
D23VB-CR	2 x 3/2 NC	1.5 ÷ 10	-0.9 ÷ 10	950	EV71
D23VB-AR	2 x 3/2 NO	1.5 ÷ 10	-0.9 ÷ 10	950	EV72
D23VB-GR	1 x 3/2 NC + 1 x 3/2 NO	1.5 ÷ 10	-0.9 ÷ 10	950	EV73

5/2-way solenoid valve, monostable, outlets on subbase - size 25



Connectors at the end of this section

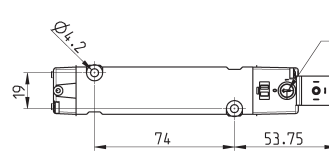
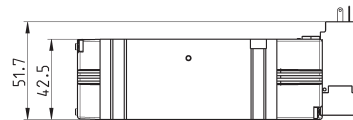
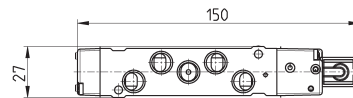
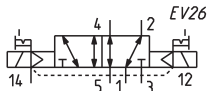


Mod.	Pilot supply pressure (bar)	Operating pressure (bar)	Flow (NL/min)	Symbol
D43VB-MR	2.5 ÷ 10	2.5 ÷ 10	2000	EV22

5/2-way solenoid valve, bistable, outlets on subbase - size 25



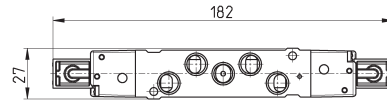
Connectors at the end of this section



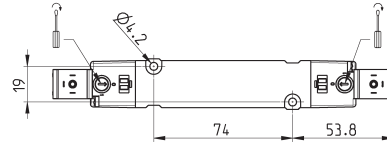
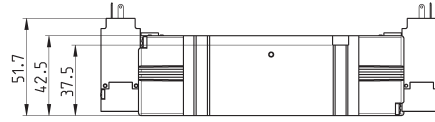
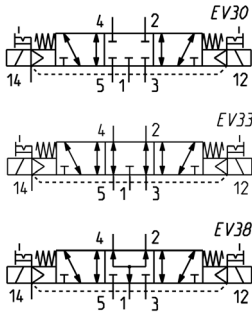
Mod.	Pilot supply pressure (bar)	Operating pressure (bar)	Flow (NL/min)	Symbol
D43VB-BR	2.5 ÷ 10	2.5 ÷ 10	2000	EV26

5/3-way solenoid valve, outlets on subbase - size 25

CC = Centres Closed
 CO = Centres Open
 CP = Centres Pressurized



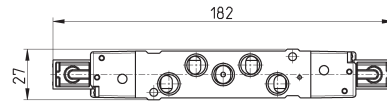
Connectors at the end of this section



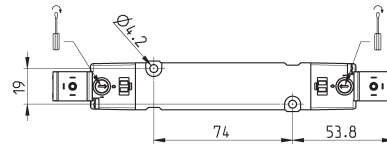
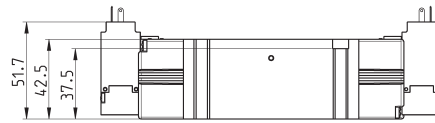
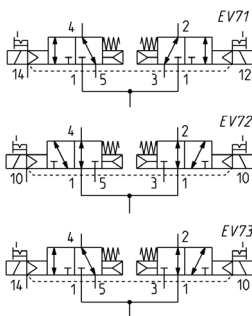
Mod.	Function	Pilot supply pressure (bar)	Operating pressure (bar)	Flow (NL/min)	Symbol
D43VB-VR	CC	2.5 ÷ 10	2.5 ÷ 10	1800	EV30
D43VB-KR	CO	2.5 ÷ 10	2.5 ÷ 10	1800	EV33
D43VB-NR	CP	2.5 ÷ 10	2.5 ÷ 10	1800	EV38

2x3/2-way solenoid valve, outlets on subbase - size 25

Solenoid valves available in versions with 2x3/2-way valves on the same valve body



Connectors at the end of this section



Mod.	Function	Pilot supply pressure (bar)	Operating pressure (bar)	Flow (NL/min)	Symbol
D43VB-CR	2x3/2NC	2.5 ÷ 10	2.5 ÷ 10	1800	EV71
D43VB-AR	2x3/2NO	2.5 ÷ 10	2.5 ÷ 10	1800	EV72
D43VB-GR	1 x 3/2 NC + 1 x 3/2 NO	2.5 ÷ 10	2.5 ÷ 10	1800	EV73

CODING EXAMPLE

DC	B	1	0	-	12
-----------	----------	----------	----------	----------	-----------

DC	SERIES
B	MANIFOLD: B = For type VB solenoid valves
1	SIZE 1 = 10.5 mm 2 = 16 mm 4 = 25 mm
0	SERVO-PILOT 0 = Kit included for internal/external servo-pilot supply
12	N° OF POSITIONS: 2 3 4 ... 16 17 (no D4) 18 (no D4) 19 (no D4)

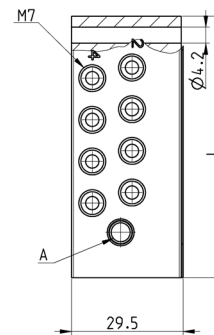
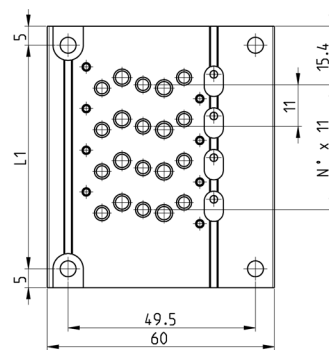
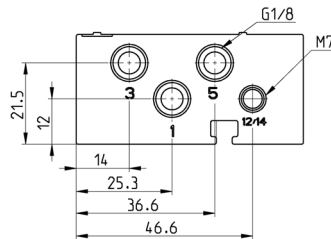
SOLENOID VALVES VB VERSION

Manifolds for solenoid valves model VB, Size 10,5



The Manifold package includes a closing cap and a spool to insert in position A, necessary to establish internal or external pilot supply. In the configuration with the cap only, pilot supply is established through connection 1, channels 12/14 must be closed.

In the other variant with cap and spool, channels 1 and 12/14 are separated and must be supplied individually.



DIMENSIONS			
Mod.	Nr positions	L	L1
DCB10-2	2	47	37
DCB10-3	3	58	48
DCB10-4	4	69	59
DCB10-5	5	80	70
DCB10-6	6	91	81
DCB10-7	7	102	92
DCB10-8	8	113	103
DCB10-9	9	124	114
DCB10-10	10	135	125
DCB10-11	11	146	136
DCB10-12	12	157	147
DCB10-13	13	168	158
DCB10-14	14	179	169
DCB10-15	15	190	180
DCB10-16	16	201	191
DCB10-17	17	212	202
DCB10-18	18	223	213
DCB10-19	19	234	224

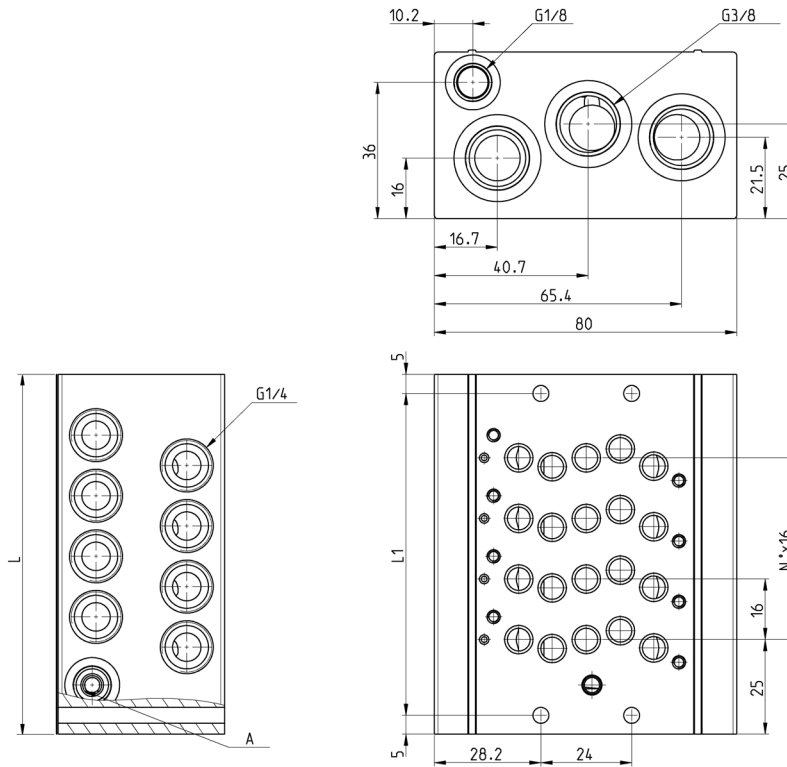
Manifolds for solenoid valves model VB, Size 16



The Manifold package includes a closing cap and a spool to insert in position A, necessary to establish internal or external pilot supply. In the configuration with the cap only, pilot supply is established through connection 1, channels 12/14 must be closed.

In the other variant with cap and spool, channels 1 and 12/14 are separated and must be supplied individually.

SOLENOID VALVES VB VERSION



DIMENSIONS

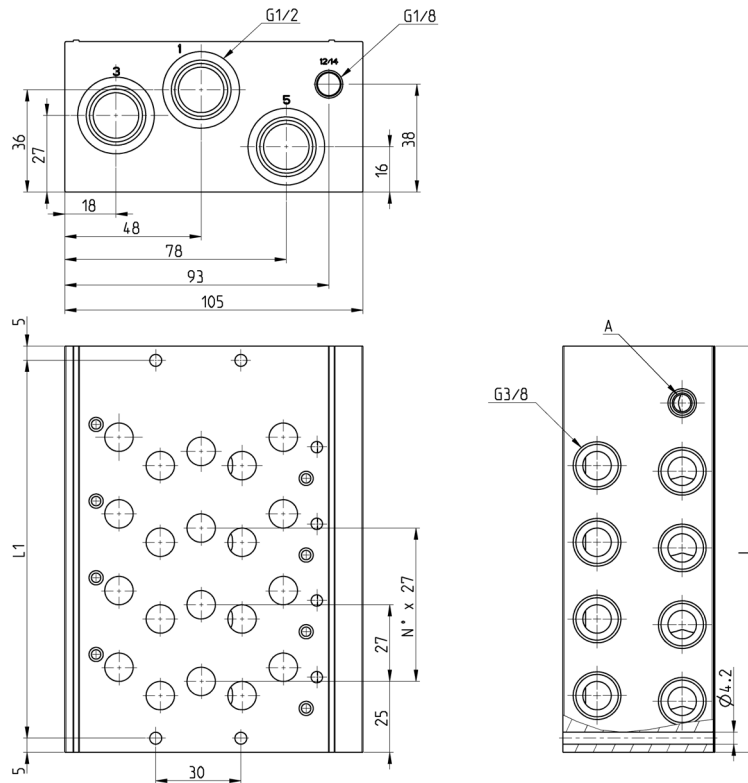
Mod.	Nr positions	L	L1
DCB20-2	2	63	53
DCB20-3	3	79	69
DCB10-4	4	95	85
DCB20-5	5	111	101
DCB20-6	6	127	117
DCB20-7	7	143	133
DCB20-8	8	159	149
DCB20-9	9	175	165
DCB20-10	10	191	181
DCB20-11	11	207	197
DCB20-12	12	223	213
DCB20-13	13	239	229
DCB20-14	14	255	245
DCB20-15	15	271	261
DCB20-16	16	287	277
DCB20-17	17	303	293
DCB20-18	18	319	309
DCB20-19	19	335	325

Manifolds for solenoid valves model VB, Size 25



The Manifold package includes a closing cap and a spool to insert in position A, necessary to establish internal or external pilot supply. In the configuration with the cap only, pilot supply is established through connection 1, channels 12/14 must be closed.

In the other variant with cap and spool, channels 1 and 12/14 are separated and must be supplied individually.



DIMENSIONS			
Mod.	Nr positions	L	L1
DCB40-2	2	89	79
DCB40-3	3	116	106
DCB40-4	4	143	133
DCB40-5	5	170	160
DCB40-6	6	197	187
DCB40-7	7	224	214
DCB40-8	8	251	241
DCB40-9	9	278	268
DCB40-10	10	305	295
DCB40-11	11	332	322
DCB40-12	12	359	349
DCB40-13	13	386	376
DCB40-14	14	413	403
DCB40-15	15	440	430
DCB40-16	16	467	457

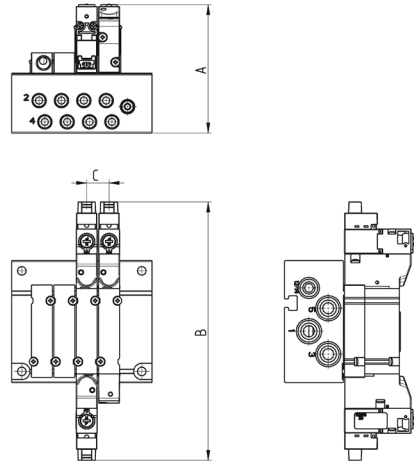
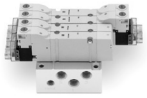
CODING EXAMPLE MANIFOLD WITH SOLENOID VALVES AND FITTINGS

DC B 1 E R A - MBMXCVB - 3BX2AB - CSL - R

DC	SERIES		
B	MANIFOLD WITH SOLENOID VALVES B = For type VB solenoid valve		
1	SIZE 1 = 10.5 mm 2 = 16 mm 4 = 25 mm		
E	ACTUATION E = Electric (D1 and D2) 3 = Electric 15 mm (D2 and D4) C = Electric with M8 connector (D1 and D2)		
R	TYPE OF MANUAL OVERRIDE P = push button (not for 3 actuation) R = with push and turn device		
A	SERVO-PILOT SUPPLY A = internal B = external		
MBMXCVB	TYPE OF SOLENOID VALVE M = 5/2 Monostable B = 5/2 Bistable C = 2 x 3/2 NC A = 2 x 3/2 NO G = 2 x 3/2 (NC + NO) V = 5/3 CC K = 5/3 CO N = 5/3 CP L = Free position X = Additional supply and exhaust Y = Additional supply and exhaust with silencer		
3BX2AB	CONNECTIONS ON VALVE POSITIONS (OUTLETS 2 AND 4 ON MANIFOLD) T = Thread A = Ø4 (D1) Fittings 6512 4-M7-M B = Ø6 (D1) Fittings 6512 6-M7-M; (D2) S6510 6-1/4 C = Ø8 (D2) Fittings S6510 8-1/4 D = Ø10 (D2) Fittings 6512 10 1/4-M; (D4) S6510 10-3/8 E = Ø12 (D4) Fittings S6510 12-3/8 F = Ø14 (D4) Fittings S6510 14-3/8 L = Free position X = Threaded plate Y = See codes D1AVB-Y / D2AVB-Y / D4AVB-Y		
CSL	MANIFOLD CONNECTIONS (supply and exhausts) T = Thread (on both sides) C = Fittings Ø8 on connections 1;3;5 CS = Fittings Ø8 on supply + silencers on exhausts D = Fittings Ø10 on connections 1;3;5 DS = Fittings Ø10 on supply + silencers on exhausts E = Fittings Ø12 on connections 1;3;5 ES = Fittings Ø12 on supply + silencers on exhausts F = Fittings Ø14 on connections 1;3;5 FS = Fittings Ø14 on supply + silencers on exhausts G = Fittings Ø16 on connections 1;3;5 GS = Fittings Ø16 on supply + silencers on exhausts CONNECTION SIDE = Both (The servo-pilot fitting will be mounted on the right side) L = Fittings on the Left (right side covered) R = Fittings on the Right (left side covered) Servo-pilot fittings: Ø6 (D1) 6512 6-M7-M; (D2) S6510 6-1/8; Ø8 (D4) S6510 8-1/8		
R	FIXING: = Direct R = Port for DIN rail		
VERSION 3, through the connector with rectifier bridge, can be used for AC applications. (see the connectors at the end of the section)			

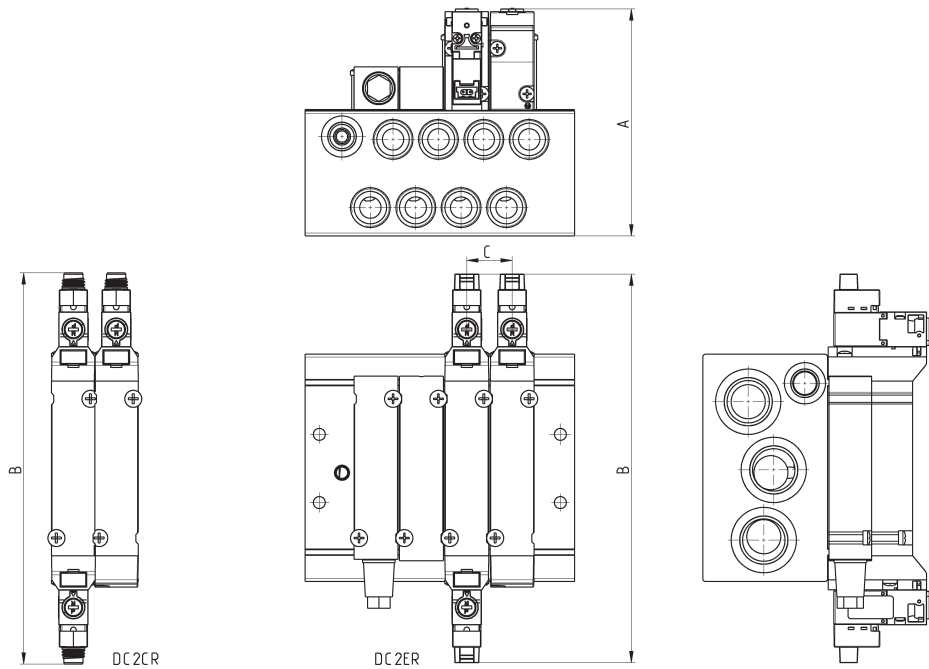
SOLENOID VALVES VB VERSION

Manifold with solenoid valves, outlets on subbase - size 10,5



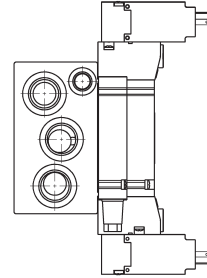
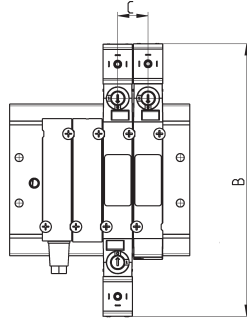
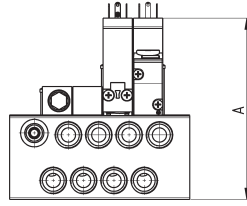
DIMENSIONS			
Mod.	A	B	C
DCB1ER.-.	63	127.2	11
DCB1CR.-.	63	128.2	11

Manifold with solenoid valves, outlets on base - size 16



DIMENSIONS			
Mod.	A	B	C
DCB2ER.-.	105	136.7	16
DCB2CR.-.	105	137.7	16

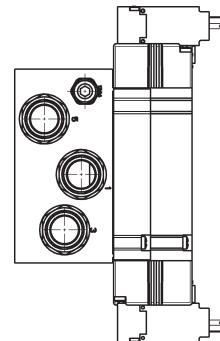
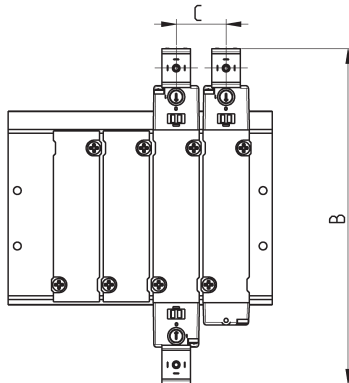
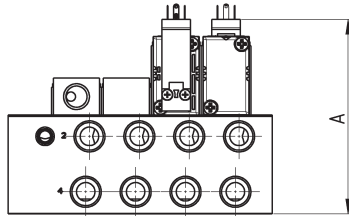
Manifold with solenoid valves, outlets on base - size 16



DIMENSIONS

Mod.	A	B	C
DCB23R-..	105	181.5	16

Manifold with solenoid valves, outlets on base - size 25



DIMENSIONS

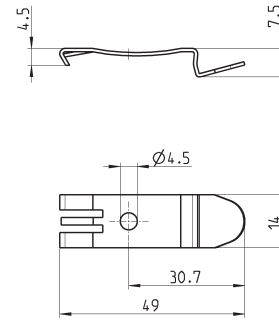
Mod.	A	B	C
DCB43R-..	51.7	150	27

Mounting brackets for DIN rail



DIN EN 50022 (7,5mm x 35mm - width 1)

Supplied with:
 2x plates
 2x screws M4 UNI 5931
 2x nuts (D2 and D4)
 2x M4 UNI EN ISO 7089 (D2) washers

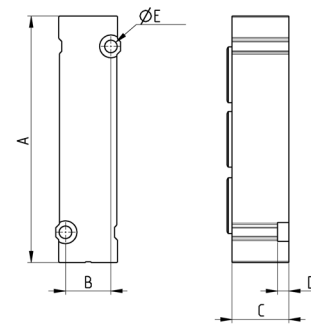


Mod.	
PCF-D1	(only for D1)
PCF-D2	(only for D2)
PCF-D4	(only for D4)

Blanking plate for manifolds - free position L



The following is supplied:
 1x plate
 2x screws
 1x seal.

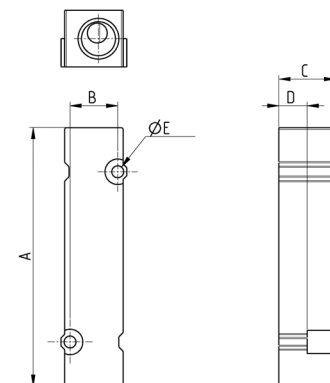
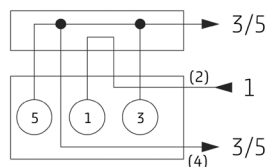


DIMENSIONS						
Mod.	Size	A	B	C	D	øE
D1AVA-L	10.5	45.5	8.4	10	5	2.1
D2AVB-L	16	65	12	15	3	3.3
D4AVA-L	25	92.5	19	20	5	4.2

Module X for additional supply and exhaust for size 10,5



The following is supplied:
 1x plate
 2x screws
 1x seal

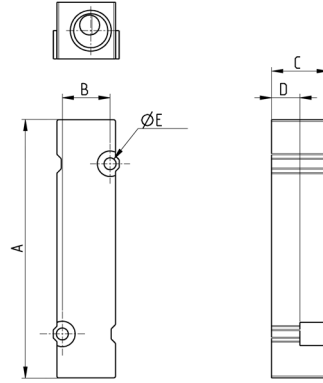
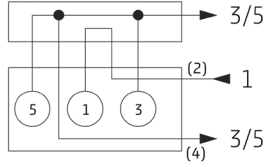


DIMENSIONS						
Mod.	Size	A	B	C	D	øE
D1AVB-X	10.5	45	8.4	10	5	2.1

Module X for additional supply and exhaust for size 16

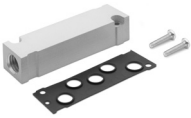


The following is supplied:
1x plate
2x screws
1x seal

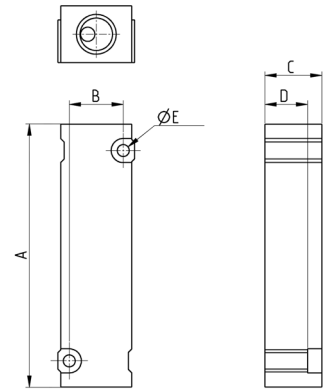
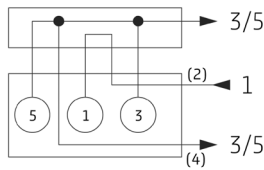


DIMENSIONS						
Mod.	Size	A	B	C	D	ØE
D2AVB-X	16	65	12	15	12	3,3

Module X for additional supply and exhaust for size 25



The following is supplied:
1x plate
2x screws
1x seal

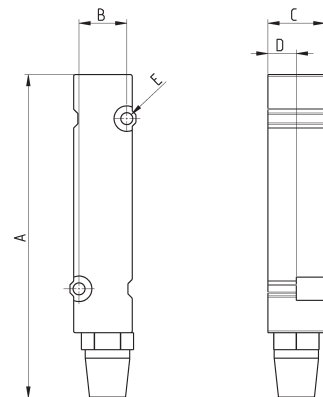
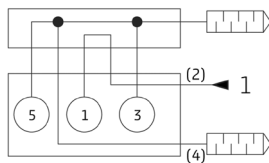


DIMENSIONS						
Mod.	Size	A	B	C	D	ØE
D4AVB-X	25	65	19	20	15	4.2

Module Y for additional supply and exhaust with silencer for size 10,5



The following is supplied:
1x plate
2x screws
1x seal
2x silencers 2931 M7
1x fitting 6512 6-M7-M

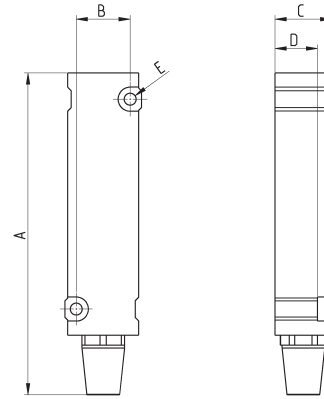
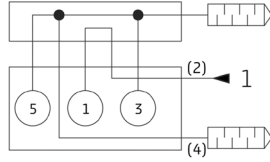


DIMENSIONS						
Mod.	Size	A	B	C	D	ØE
D1AVB-Y	10.5	57	8.4	10	5	2.1

Module Y for additional supply and exhaust with silencer for size 16

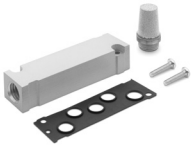


- The following is supplied:
 1x plate
 2x screws
 1x seal
 1x silencers 2931 1/4
 1x silencers 2931 1/4
 1x fitting 6512 1/4

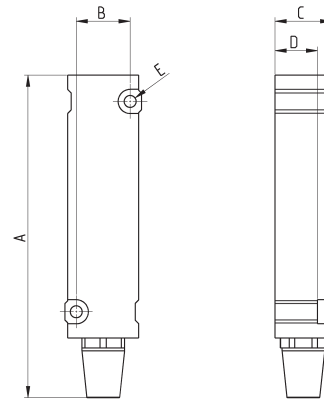
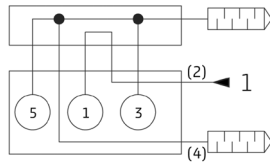


DIMENSIONS						
Mod.	Size	A	B	C	D	øE
D2AVB-Y	16	81,4	12	15	12	3.3

Module Y for additional supply and exhaust with silencer for size 25

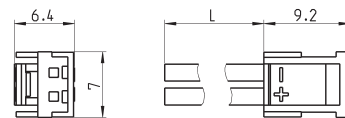
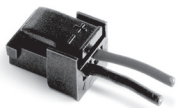


- The following is supplied:
 1x plate
 2x screws
 1x seal.
 1x silencer 2931 1/4
 1x silencer 2931 3/8
 1x fitting 6512 12-3/8



DIMENSIONS						
Mod.	Size	A	B	C	D	øE
D4AVB-Y	25	113,5	19	20	15	4.2

Connector Mod. 121-8..



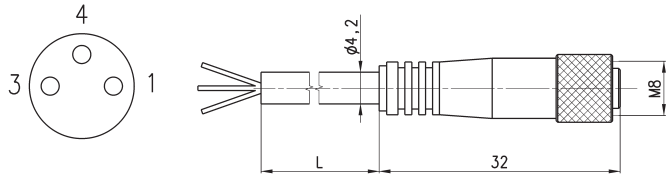
Mod.	description	colour	L = cable length (mm)	cable holding
121-803	crimped cable	black	300	crimping
121-806	crimped cable	black	600	crimping
121-810	crimped cable	black	1000	crimping
121-830	crimped cable	black	3000	crimping

3-wire extension with M8 3-pin female connector for "C" actuation



With PU sheathing, non shielded cable.
Protection class: IP65

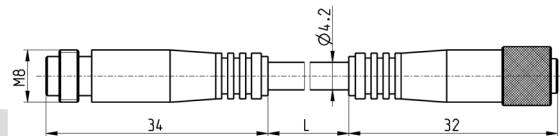
- 1 BN = Brown +/-
- 4 BK = Black +/-
- 3 BU = Blue NC



Mod.	L = cable length (m)
CS-2	2
CS-5	5
CS-10	10

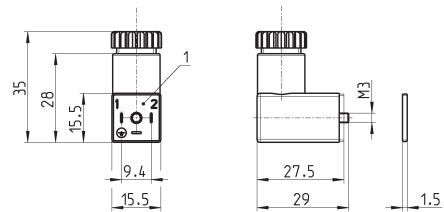
Extension with M8 connector, 3 pin male/female for "C" actuation

Non shielded



Mod.	description	type of connector	connection	L [cable length] (m)
CS-DW03HB-C250	moulded cable	straight	M8 3 pin male / female	2.5
CS-DW03HB-C500	moulded cable	straight	M8 3 pin male / female	5

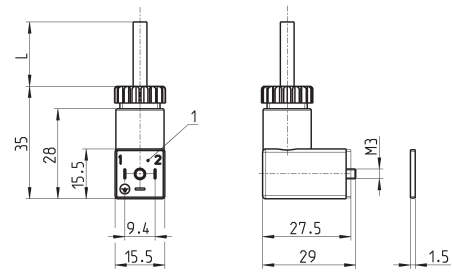
Connector Mod. 125-... for "3" actuation



Mod.	description	colour	working voltage	cable gland	tightening torque
125-601	connector, diode + Led	transparent	10/50 V DC	PG7	0.3 Nm
125-701	connector, varistor + Led	transparent	24 V AC/DC	PG7	0.3 Nm
125-800	connector, without electronics	black	-	PG7	0.3 Nm

1 = 90° adjustable connector

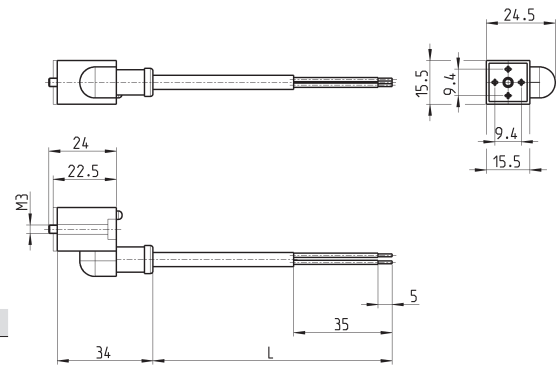
Connector Mod. 125-... pitch 9.4 mm with cable for "C" actuation



Mod.	description	colour	working voltage	cable length [L]	cable gland	tightening torque
125-501-2	moulded cable with diode + Led	black	10/50 V DC	2000 mm	-	0.3 Nm
125-550-1	moulded cable, without electronics	black	-	1000 mm	-	0.3 Nm

1 = 90° adjustable connector

In-line connectors with cable for "E" actuation



Mod.	description	colour	working voltage	cable length [L]	cable gland	tightening torque
125-503-2	in-line moulded cable, with diode + Led	black	24 V DC	2000 mm	-	0.3 Nm
125-503-5	in-line moulded cable, with diode + Led	black	24 V DC	5000 mm	-	0.3 Nm
125-553-2	in-line moulded cable, without electronics	black	-	2000 mm	-	0.3 Nm
125-553-5	in-line moulded cable, without electronics	black	-	5000 mm	-	0.3 Nm