

Series MX filter-regulators

New versions

MX2 ports: G3/8, G1/2, G3/4 - MX3 ports: G3/4, G1
Modular
Bowl with technopolymer cover and bayonet-type mounting



- » Quality of delivered air according to ISO 8573-1:2010, Classes 7.8.4 and 6.8.4
- » With built-in pressure gauge or with ports for pressure gauge
- » Lockable knob
- » Polymer bowl locking system reducing the risk of accidents
- » Metal bowl also available

Series MX filter-regulators integrate filter and pressure reducer in one unit. They are, therefore, compact and suitable for pre-filtering functions.

Available with or without draining (relieving), they are equipped with a valve diaphragm for a direct pressure regulation and with an integrated condensate drainer, manual or automatic. Moreover, they are equipped with a built-in pressure gauge.

The Series MX has been realized to offer a multi-sector solution that guarantees saving in terms of installation time, space and costs.

A special configurator, available on Camozzi website at <http://catalogue.camozzi.com> (sec. Configurators), allows the customer to choose the most suitable solution for his application, selecting single components or by configuring assembled FRLs.

GENERAL DATA

Construction	modular, compact with filtering element in HDPE
Materials	see TABLE OF MATERIALS on the following page
Ports	MX2: G3/8 - G1/2 - G3/4 - MX3: G3/4 - G1
Condensate capacity	MX2: 55 cc - MX3: 85 cc
Mounting	vertical in-line, wall-mounting (by means of clamps), panel mounting
Operating temperature	-5°C ÷ 50°C up to 16 bar (with the dew point of the fluid lower than 2°C at the min. working temperature) -5°C ÷ 60°C up to 10 bar (with the dew point of the fluid lower than 2°C at the min. working temperature)
Quality of delivered air according to ISO 8573-1:2010	Class 6.8.4 with 5 µm filtering element Class 7.8.4 with 25 µm filtering element
Draining of condensate	MX2: manual-semi automatic (standard), automatic, depressurization protected, direct G1/8 exhaust MX3: manual-semi automatic (standard), automatic, direct G1/8 exhaust
Inlet pressure	0.3 ÷ 16 bar (with automatic drain 1.5 ÷ 12)
Nominal flow	see FLOW DIAGRAMS on the following pages
Fluid	compressed air
Pressure gauge	built-in pressure gauge (standard) with G1/4 port (MX3 only) or G1/8 port (MX2 only)

CODING EXAMPLE

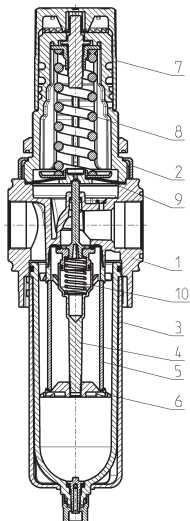
MX	2	-	1/2	-	FR	0	0	0	4	M	-	LH
-----------	----------	----------	------------	----------	-----------	----------	----------	----------	----------	----------	----------	-----------

MX	SERIES
2	SIZE: 2 = G3/8 - G1/2 - G3/4 3 = G3/4 - G1
1/2	PORT: 3/8 = G3/8 1/2 = G1/2 3/4 = G3/4 1 = G1
FR	FILTER-REGULATOR
0	FILTERING ELEMENT WITH DESIGN TYPE: 0 = 25 µm with relieving (standard) 1 = 5 µm with relieving 2 = 25 µm without relieving (with semiautomatic-manual drain only) 3 = 5 µm without relieving (with semiautomatic-manual drain only) 4 = 25 µm with relieving and by-pass valve 5 = 5 µm with relieving and by-pass valve 6 = 25 µm without relieving, with by-pass valve 7 = 5 µm without relieving, with by-pass valve
0	DRAINING OF CONDENSATE (further details in the dedicated section): 0 = semiautomatic-manual drain (standard - only for polymer bowl) 3 = automatic drain 5 = depressuring drain, protected (only for polymer bowl) 8 = without drain, with port G1/8
0	OPERATING PRESSURE: 0 = 0.5 ÷ 10 bar (standard) 4 = 0 ÷ 4 bar 7 = 0.5 ÷ 7 bar (MX2 only)
4	PRESSURE GAUGE: 0 = without pressure gauge (with threaded port) 2 = with built-in pressure gauge 0-6 and working pressure 0 ÷ 4 bar 3 = with built-in pressure gauge 0-10 and working pressure 0 ÷ 7 bar (MX2 only) 4 = with built-in pressure gauge 0-12 and working pressure 0.5 ÷ 10 bar (standard)
M	TYPE OF BOWL: = polymer (standard) M = metal (only for MX2-1/2 and MX3-1)
LH	FLOW DIRECTION: = from left to right (standard) LH = from right to left

SERIES MX FILTER-REGULATORS

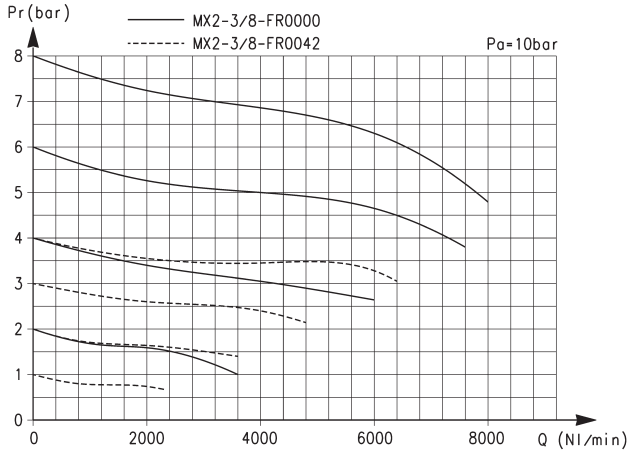
For the assembly of a single component with fixing flanges or wall-mounting, see the section "FRL Series MX Assembled"

Filter-regulators Series MX - materials



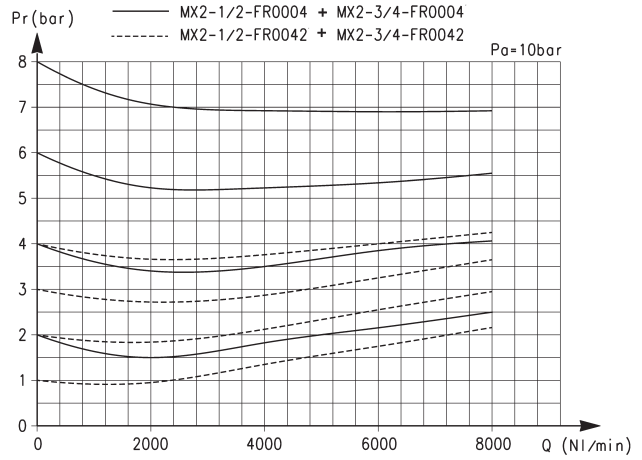
PARTS	MATERIALS
1 = Body	Aluminium
2 = Covering	Polyacetal
3 = Bowl / bowl cover	Polycarbonate/Polyamide/Aluminium
4 = Valve guide	Polyacetal
5 = Filtering element	Polyethylene
6 = Separation deflector	Polyacetal
7 = Knob	Polyamide
8 = Upper spring	Zinc-plated steel
9 = Diaphragm	NBR
10 = Lower spring	Stainless steel
Seals	NBR

MX2 FILTER REGULATORS FLOW DIAGRAMS



Pr = Regulated pressure
Q = Flow

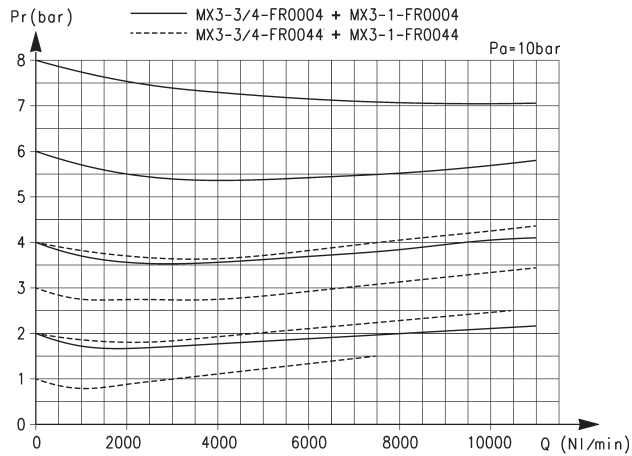
Pa = Inlet pressure



Pr = Regulated pressure
Q = Flow

Pa = Inlet pressure

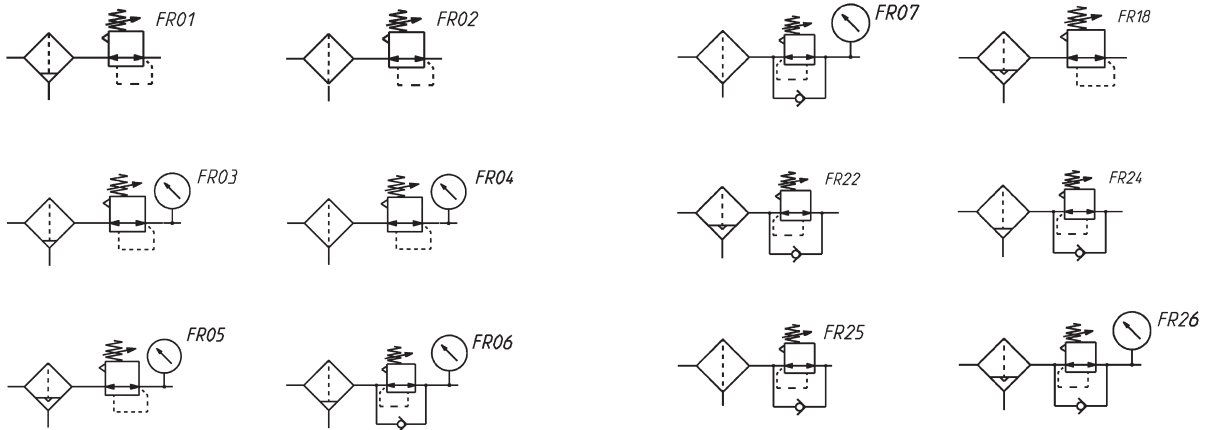
MX3 FILTER-REGULATORS FLOW DIAGRAM



Pr = Regulated pressure
Q = Flow

Pa = Inlet pressure

PNEUMATIC SYMBOLS

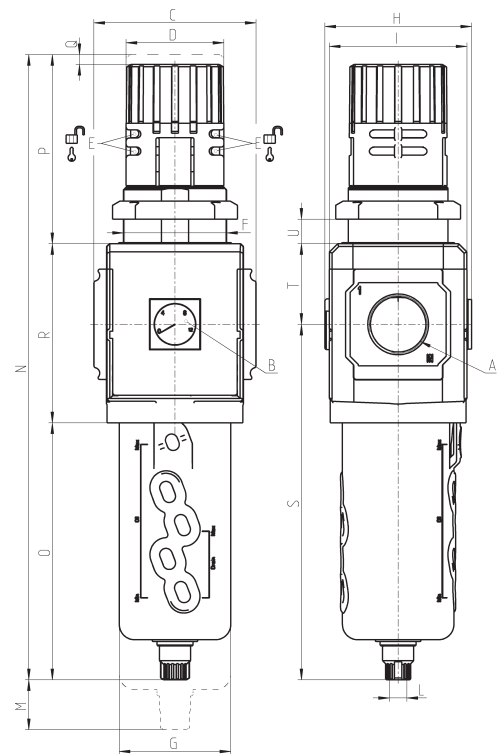


FR01 = filter-reg. with relieving and manual/semiautomatic drain
 FR02 = filter-reg. with relieving and direct exhaust
 FR03 = filter-reg. with relieving, pressure gauge and manual/semiautomatic drain
 FR04 = filter-reg. with relieving, pressure gauge and direct exhaust
 FR05 = filter-reg. with relieving, pressure gauge and automatic drain
 FR06 = filter-reg. with relieving, pressure gauge, manual/semiautomatic drain and by-pass valve

FR07 = filter-reg. with rel., pres. gauge, dir. exh. and by-pass valve
 FR18 = filter-reg. with relieving and automatic drain
 FR22 = filter-reg. without relieving, with pressure gauge, automatic-depressurisation drain and by-pass valve
 FR24 = filter-reg. with rel. and man/semiaut drain and bypass valve
 FR25 = filter-reg. with relieving, direct exhaust and by-pass valve
 FR26 = filter-reg. without relieving, automatic-depressurisation drain and by-pass valve

SERIES MX FILTER-REGULATORS

Filter-regulators Series MX - dimensions



Mod.	A	B (bar)	C	D	E	F	G	H	I	L	M	N	O	P	Q	R	S	T	U	Weight (Kg)
MX2-3/8-FR0004	G3/8	0 ÷ 12	70	45	∅ 4.7	M47x1.5	55.5	74.5	68	G1/8	66	290	127	78	5	85	174.5	37.5	0 ÷ 16	0.8
MX2-1/2-FR0004	G1/2	0 ÷ 12	70	45	∅ 4.7	M47x1.5	55.5	74.5	68	G1/8	66	290	127	78	5	85	174.5	37.5	0 ÷ 16	0.8
MX2-3/4-FR0004	G3/4	0 ÷ 12	70	45	∅ 4.7	M47x1.5	55.5	74.5	68	G1/8	66	290	127	78	5	85	174.5	37.5	0 ÷ 16	0.8
MX3-3/4-FR0004	G3/4	0 ÷ 12	89.5	54	∅ 4	M57x1.5	61.5	81	76	G1/8	75	345	142	104	5	99	196.5	44.5	0 ÷ 20	1.3
MX3-1-FR0004	G1	0 ÷ 12	89.5	54	∅ 4	M57x1.5	61.5	81	76	G1/8	75	345	142	104	5	99	196.5	44.5	0 ÷ 20	1.3
MX2-1/2-FR0304M	G1/2	0 ÷ 12	70	45	∅ 4.7	M47x1.5	60	74.5	68	G1/8	66	283	120	78	5	85	167.5	37.5	0 ÷ 16	0.9
MX3-1-FR0304M	G1	0 ÷ 12	89.5	54	∅ 4	M57x1.5	67	81	76	G1/8	75	337	134	104	5	99	188.5	44.5	0 ÷ 20	1.3