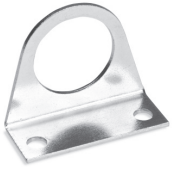


### ACCESSORIES FOR SERIES M AND T MICROREGULATORS



Mounting bracket  
Mod. C114-ST



Mounting bracket  
Mod. C114-ST/1



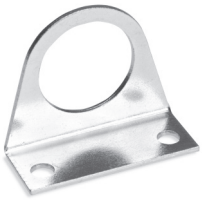
Mounting bracket  
Mod. C114-ST/2

ACCESSORIES FOR SERIES M AND T MICROREGULATORS

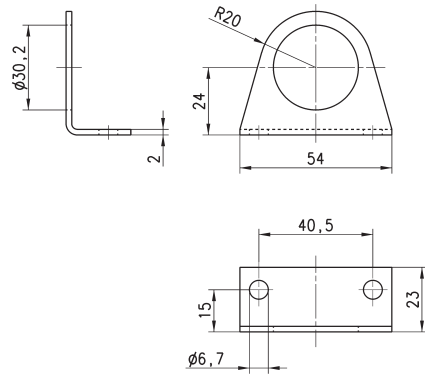


Systems of rapid connections designed to make mounting easier.

**Mounting bracket Mod. C114-ST**



The kit is supplied with:  
1x zinc-plated steel bracket.

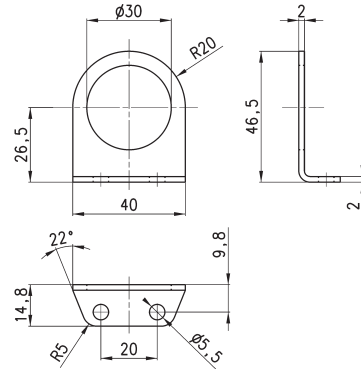


Mod.
C114-ST

**Mounting bracket Mod. C114-ST/1**



The kit is supplied with 1 zinc-plated steel bracket.

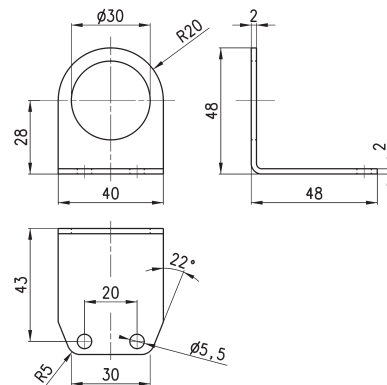


Mod.
C114-ST/1

**Mounting bracket Mod. C114-ST/2**



The kit is supplied with 1 zinc-plated steel bracket.



Mod.
C114-ST/2