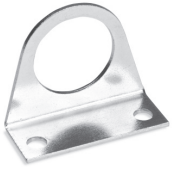


ACCESSORIES FOR SERIES M AND T MICROREGULATORS



Mounting bracket
Mod. C114-ST



Mounting bracket
Mod. C114-ST/1



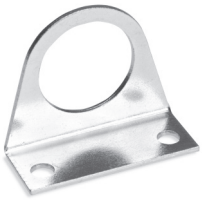
Mounting bracket
Mod. C114-ST/2

ACCESSORIES FOR SERIES M AND T MICROREGULATORS

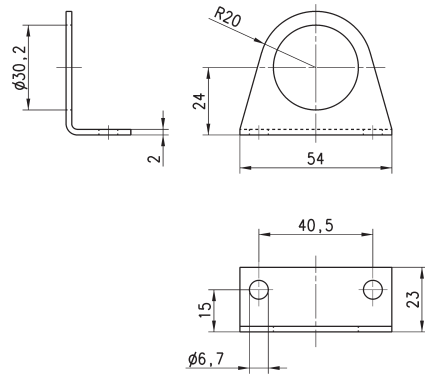


Systems of rapid connections designed to make mounting easier.

Mounting bracket Mod. C114-ST



The kit is supplied with:
1x zinc-plated steel bracket.

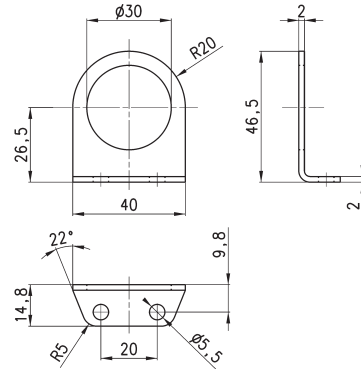


Mod.	
C114-ST	

Mounting bracket Mod. C114-ST/1



The kit is supplied with 1 zinc-plated steel bracket.

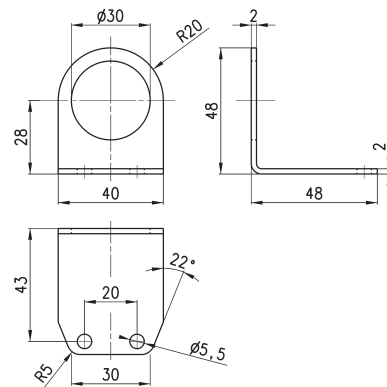


Mod.	
C114-ST/1	

Mounting bracket Mod. C114-ST/2



The kit is supplied with 1 zinc-plated steel bracket.



Mod.	
C114-ST/2	