

Series TC pressure microregulators

For applications with oxygen, without relieving
Ports: cartridge construction, G1/8 and 1/8 NPTF

SERIES TC MICROREGULATORS



- » Compact design
- » High performance
- » Easy to install
- » Materials suitable with several gases

The Series TC pressure regulator has been designed to be used for all the applications and equipment where it is needed to insert the single component in customized integrated pneumatic circuits (manifolds) or collectors.

The cartridge design and the compact size allow the regulator to be plugged in a proper seat, making the installation easier and reducing the assembly time. To produce the new TC regulator, materials have been analyzed and chosen on the basis of their suitability with the contact medium. The body in PPS and the seals in FKM ensure thus full compatibility with a wide range of gaseous fluids.

GENERAL DATA

Construction	compact with pre-formed diaphragm
Materials	see the TABLE OF MATERIALS on the following page
Ports	cartridge construction in manifold - G1/8 or 1/8NPTF (aluminium body version only)
Mounting	in-line or cartridge (any position)
Operating temperature	-5°C ÷ 50°C
Inlet pressure	0 ÷ 10 bar
Outlet pressure	0.03 ÷ 0.5 bar 0.1 ÷ 2 bar 0.15 ÷ 3 bar 0.2 ÷ 4 bar
Overpressure exhaust	without relieving
Nominal flow	see FLOW DIAGRAMS on the following pages
Medium	air, inert and medical gases, OXYGEN
Repeatability	±0.2% FS

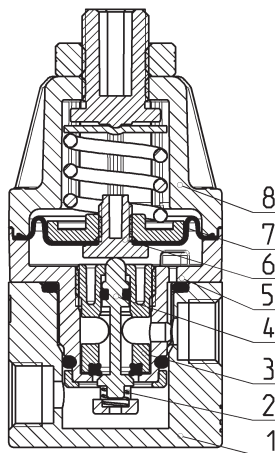
CODING EXAMPLE

TC	1	-	R	3	1	-	C	-	V	-	OX2
-----------	----------	----------	----------	----------	----------	----------	----------	----------	----------	----------	------------

TC	SERIES
1	SIZE
R	REGULATOR
3	WORKING PRESSURE: 1 = 0.03 ÷ 0.5 bar 2 = 0.1 ÷ 2 bar 3 = 0.15 ÷ 3 bar 4 = 0.2 ÷ 4 bar
1	TYPE OF CONSTRUCTION: 1 = without relieving
C	PORTS: C = Cartridge 1/8 = G1/8 1/8TF = 1/8NPTF
V	SEALS MATERIAL: V = FKM
OX2	VERSIONS: OX1 = for oxygen (non-volatile residue lower than 550 mg/m ²) OX2 = for oxygen (non-volatile residue lower than 35 mg/m ²)

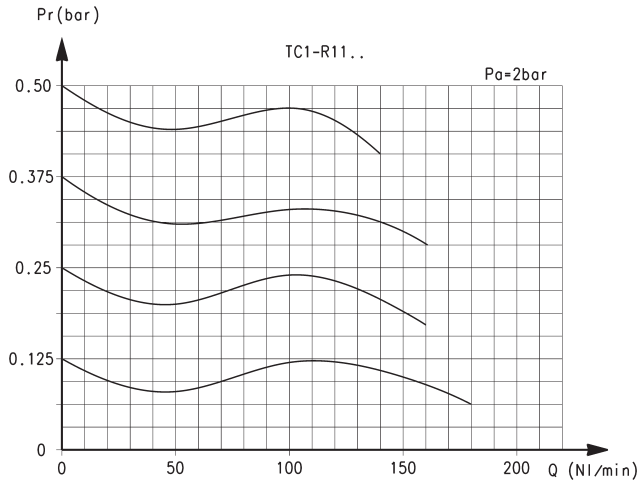
SERIES TC MICROREGULATORS

Series TC pressure microregulators - materials



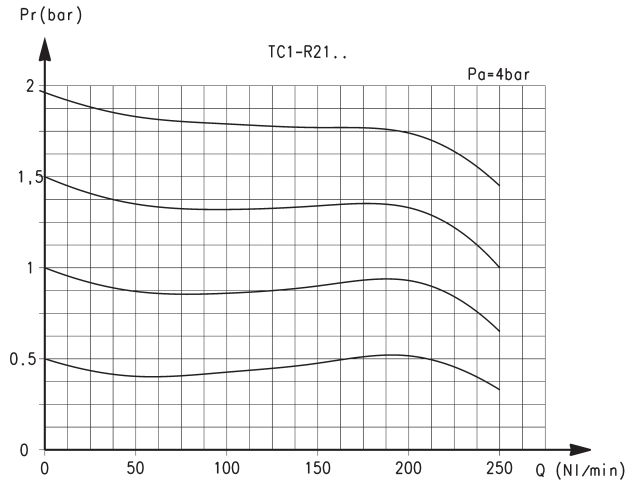
PARTS	MATERIALS
1. Base body	Anodized aluminium
2. Lower spring	Stainless steel
3. Insert	PPS
4. Poppet	Stainless steel
5. Body	PPS
6. Valve guide	PPS
7. Diaphragm	FKM
8. Bell	Polyamide
Seals	FKM

FLOW DIAGRAMS - 0.5 and 2 bar working pressure



Pr = Regulated pressure (bar)
Q = Flow (NI/min)

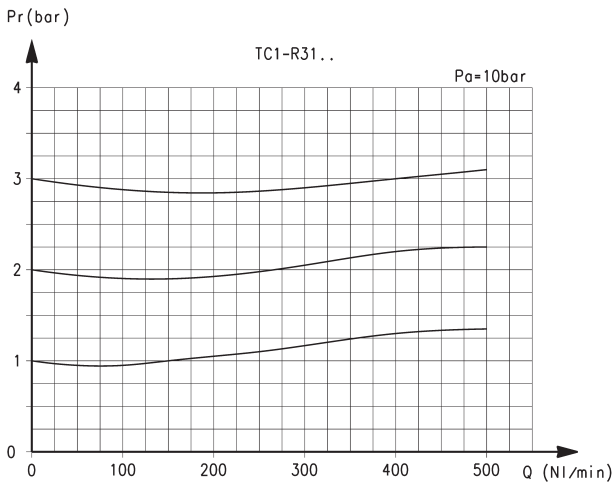
Pa = Inlet pressure (bar)



Pr = Regulated pressure (bar)
Q = Flow (NI/min)

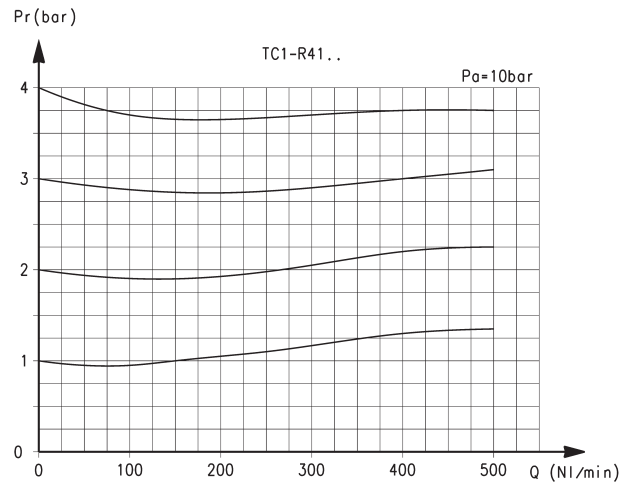
Pa = Inlet pressure (bar)

FLOW DIAGRAMS - 3 and 4 bar working pressure



Pr = Regulated pressure (bar)
Q = Flow (NI/min)

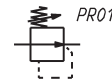
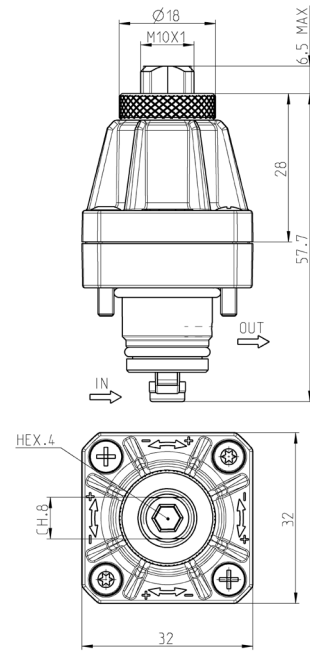
Pa = Inlet pressure (bar)



Pr = Regulated pressure (bar)
Q = Flow (NI/min)

Pa = Inlet pressure (bar)

Series TC cartridge pressure microregulators



PR01 = regulator without relieving

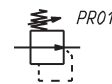
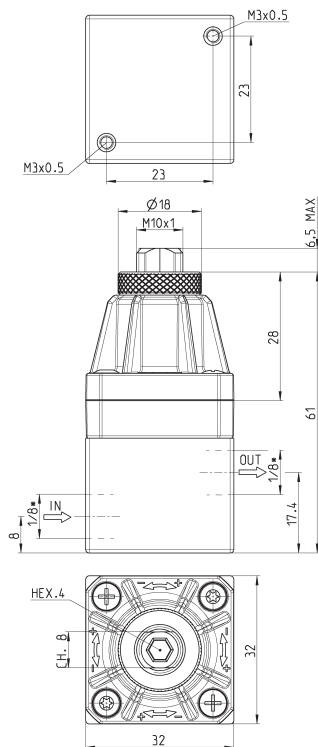
Mod.

- TC1-R11-C-V-OX1
- TC1-R11-C-V-OX2
- TC1-R21-C-V-OX1
- TC1-R21-C-V-OX2
- TC1-R31-C-V-OX1
- TC1-R31-C-V-OX2
- TC1-R41-C-V-OX1
- TC1-R41-C-V-OX2

Series TC pressure microregulators with aluminium body



* to choose the type of thread (G1/8 or 1/8 NPTF)
see the Coding example



PR01 = regulator without relieving

Mod.

- TC1-R11-^o-V-OX1
- TC1-R11-^o-V-OX2
- TC1-R21-^o-V-OX1
- TC1-R21-^o-V-OX2
- TC1-R31-^o-V-OX1
- TC1-R31-^o-V-OX2
- TC1-R41-^o-V-OX1
- TC1-R41-^o-V-OX2

Seat dimensions for cartridge version

SERIES TC MICROREGULATORS

