

# Series X6000 super-rapid fittings in stainless steel 316L

Tube external diameters: 4, 6, 8, 10, 12 mm

Fittings threads: BSP (G1/8, G1/4, G3/8, G1/2), BSPT (R1/8, R1/4, R3/8, R1/2)



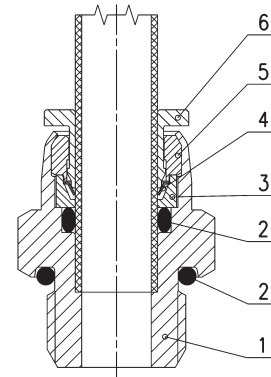
Series X6000 fittings have been designed to offer versatility and ease of installation without any compromise in quality or performance. They are suitable for applications in the pneumatics, fluids, chemical, medical, food and packaging industries.

Series X6000 fittings are practical and safe and allow the connection of fluids even in aggressive environments. The collet ensures excellent grip between the fitting and tubing.

## GENERAL DATA

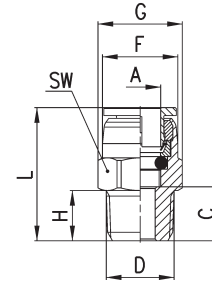
|                         |  |   |
|-------------------------|--|---|
| <b>Diameters</b>        | ø 4 - 6 - 8 - 10 - 12 mm   |   |
| <b>Threads</b>          | GAS conical ISO 7 (BSPT)<br>GAS cylindrical ISO 228 (BSP)  |   |
| <b>Temperature</b>      | -15°C ÷ 150°C<br>NOTE: for a better use of the fitting we recommend to check the tubing specifications.            |   |
| <b>Tube to connect</b>  | Polyamide (PA) 6 - 11 - 10.12 - 12, Polyurethane (PU), Polyethylene (PE), PTFE                                     |   |
| <b>Medium</b>           | compressed air and drinking water. For other fluids, please contact our technicians.                               |   |
| <b>Materials</b>        | 1 = Body<br>2 = Seals<br>3 = Supporting ring<br>4 = Clamping gripper<br>5 = Locking bushing<br>6 = Release bushing | Stainless steel 316L<br>FKM Alimentary<br>Stainless steel 316L<br>Stainless steel 301<br>Stainless steel 316L<br>Stainless steel 316L |
| <b>Working pressure</b> | max 18 bar (see tubing)  |   |

## Fitting with connecting tube



## Fittings Mod. X6510

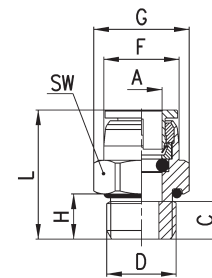
BSPT Male Connector



| DIMENSIONS   |    |      |      |      |      |    |      |    |            |         |
|--------------|----|------|------|------|------|----|------|----|------------|---------|
| Mod.         | A  | C    | D    | F    | G    | H  | L    | SW | Weight (g) | Package |
| X6510 4-1/8  | 4  | 8    | R1/8 | 9.7  | -    | 8  | 20.5 | 10 | 9          | 10      |
| X6510 4-1/4  | 4  | 10   | R1/4 | 9.7  | -    | 10 | 22.5 | 14 | 15         | 10      |
| X6510 6-1/8  | 6  | 8    | R1/8 | 11.6 | 13.4 | 8  | 21.5 | 12 | 10         | 10      |
| X6510 6-1/4  | 6  | 10   | R1/4 | 11.6 | 15.2 | 10 | 23.5 | 14 | 17         | 10      |
| X6510 8-1/8  | 8  | 8.5  | R1/8 | 14.7 | 17   | 8  | 24.6 | 15 | 16         | 10      |
| X6510 8-1/4  | 8  | 10   | R1/4 | 14.7 | 17   | 10 | 26.1 | 15 | 20         | 10      |
| X6510 10-1/4 | 10 | 11   | R1/4 | 17.4 | 20.8 | 10 | 28.2 | 19 | 28         | 10      |
| X6510 10-3/8 | 10 | 12   | R3/8 | 17.4 | 20.8 | 11 | 29.2 | 19 | 35         | 10      |
| X6510 10-1/2 | 10 | 14   | R1/2 | 17.4 | 24.6 | 13 | 31.2 | 22 | 55         | 10      |
| X6510 12-1/4 | 12 | 12   | R1/4 | 20   | -    | 10 | 31   | 22 | 42         | 10      |
| X6510 12-3/8 | 12 | 12.5 | R3/8 | 20   | -    | 11 | 31.5 | 22 | 44         | 10      |
| X6510 12-1/2 | 12 | 14.5 | R1/2 | 20   | -    | 13 | 33.5 | 22 | 59         | 10      |

## Fittings Mod. X6512

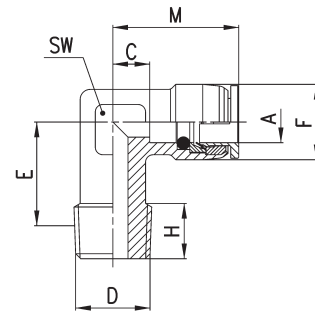
BSP Male Connector



| DIMENSIONS   |    |      |      |      |    |     |      |    |            |         |
|--------------|----|------|------|------|----|-----|------|----|------------|---------|
| Mod.         | A  | C    | D    | F    | G  | H   | L    | SW | Weight (g) | Package |
| X6512 4-1/8  | 4  | 5.7  | G1/8 | 9.7  | -  | 5.7 | 18.2 | 14 | 11         | 10      |
| X6512 4-1/4  | 4  | 6.4  | G1/4 | 9.7  | -  | 6   | 18.9 | 17 | 18         | 10      |
| X6512 6-1/8  | 6  | 6.7  | G1/8 | 11.6 | 15 | 5.7 | 20.2 | 14 | 12         | 10      |
| X6512 6-1/4  | 6  | 6.5  | G1/4 | 11.6 | -  | 6   | 20   | 17 | 19         | 10      |
| X6512 8-1/8  | 8  | 8.7  | G1/8 | 14.7 | -  | 5.7 | 24.8 | 15 | 18         | 10      |
| X6512 8-1/4  | 8  | 6    | G1/4 | 14.7 | -  | 6   | 22.1 | 17 | 21         | 10      |
| X6512 10-1/4 | 10 | 8.5  | G1/4 | 17.4 | -  | 6   | 25.7 | 19 | 28         | 10      |
| X6512 10-3/8 | 10 | 6.5  | G3/8 | 17.4 | -  | 6.5 | 23.7 | 22 | 29         | 10      |
| X6512 10-1/2 | 10 | 11.5 | G1/2 | 17.4 | 30 | 9.5 | 28.7 | 27 | 60         | 10      |
| X6512 12-1/4 | 12 | 8.5  | G1/4 | 20   | -  | 6   | 27.5 | 22 | 40         | 10      |
| X6512 12-3/8 | 12 | 9    | G3/8 | 20   | -  | 6.5 | 28   | 22 | 42         | 10      |
| X6512 12-1/2 | 12 | 12.5 | G1/2 | 20   | 30 | 9.5 | 31.5 | 27 | 71         | 10      |

**Fittings Mod. X6500**

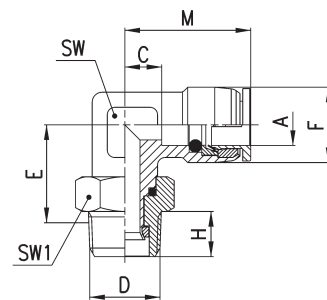
BSPT Fix Elbow



| DIMENSIONS   |    |     |      |      |      |      |      |    |            |         |  |
|--------------|----|-----|------|------|------|------|------|----|------------|---------|--|
| Mod.         | A  | C   | D    | E    | F    | H    | M    | SW | Weight (g) | Package |  |
| X6500 4-1/8  | 4  | 7.8 | R1/8 | 12.5 | 11   | 8    | 20.3 | 12 | 22         | 10      |  |
| X6500 6-1/8  | 6  | 8.8 | R1/8 | 12.5 | 11.9 | 8    | 22.3 | 12 | 20         | 10      |  |
| X6500 6-1/4  | 6  | 8.8 | R1/4 | 12   | 11.9 | 9    | 22.3 | 12 | 24         | 10      |  |
| X6500 8-1/8  | 8  | 8.4 | R1/8 | 15   | 15   | 8    | 24.5 | 12 | 26         | 10      |  |
| X6500 8-1/4  | 8  | 8.4 | R1/4 | 14   | 15   | 10   | 24.5 | 12 | 25         | 10      |  |
| X6500 10-1/4 | 10 | 8.7 | R1/4 | 15   | 17.4 | 10   | 25.9 | 14 | 36         | 10      |  |
| X6500 10-3/8 | 10 | 8.7 | R3/8 | 15   | 17.4 | 10.8 | 25.9 | 14 | 41         | 10      |  |
| X6500 12-1/4 | 12 | 9.5 | R1/4 | 16   | 20   | 10   | 28.5 | 17 | 49         | 10      |  |
| X6500 12-3/8 | 12 | 9.5 | R3/8 | 16   | 20   | 12   | 28.5 | 17 | 55         | 10      |  |

**Fittings Mod. X6520**

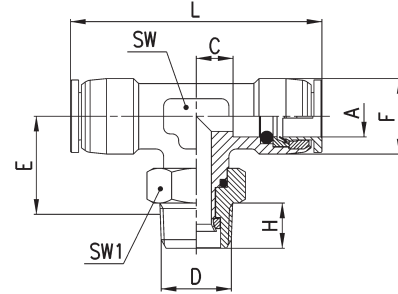
BSPT Swivel Elbow



| DIMENSIONS   |    |      |      |      |      |    |      |    |     |            |         |
|--------------|----|------|------|------|------|----|------|----|-----|------------|---------|
| Mod.         | A  | C    | D    | E    | F    | H  | M    | SW | SW1 | Weight (g) | Package |
| X6520 4-1/8  | 4  | 4.3  | R1/8 | 15.3 | 10   | 8  | 16.8 | 12 | 12  | 20         | 10      |
| X6520 4-1/4  | 4  | 4.3  | R1/4 | 15.8 | 10   | 10 | 16.8 | 12 | 15  | 24         | 10      |
| X6520 6-1/8  | 6  | 8.8  | R1/8 | 15.3 | 11.9 | 8  | 22.3 | 12 | 12  | 24         | 10      |
| X6520 6-1/4  | 6  | 5.8  | R1/4 | 19.8 | 13   | 10 | 19.3 | 14 | 15  | 33         | 10      |
| X6520 8-1/8  | 8  | 9.4  | R1/8 | 19.5 | 15   | 8  | 25.5 | 14 | 12  | 41         | 10      |
| X6520 8-1/4  | 8  | 9.4  | R1/4 | 19.8 | 15   | 10 | 25.5 | 14 | 15  | 44         | 10      |
| X6520 10-1/4 | 10 | 10.7 | R1/4 | 20.6 | 17.4 | 10 | 27.9 | 17 | 15  | 57         | 10      |
| X6520 10-3/8 | 10 | 10.7 | R3/8 | 20.9 | 17.4 | 11 | 27.9 | 17 | 19  | 65         | 10      |
| X6520 12-1/4 | 12 | 9.5  | R1/4 | 21.1 | 20   | 10 | 28.5 | 17 | 15  | 55         | 10      |
| X6520 12-3/8 | 12 | 9.5  | R3/8 | 20.9 | 20   | 11 | 28.5 | 17 | 19  | 65         | 10      |
| X6520 12-1/2 | 12 | 9.5  | R1/2 | 19.4 | 20   | 13 | 28.5 | 17 | 22  | 80         | 10      |

**Fittings Mod. X6430**

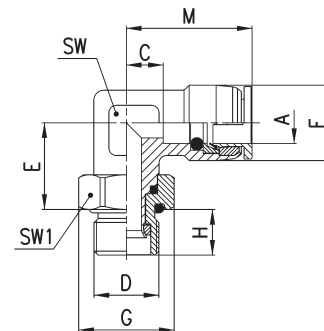
BSPT Swivel Centre Tee



| DIMENSIONS   |    |      |      |      |      |    |      |    |     |            |         |
|--------------|----|------|------|------|------|----|------|----|-----|------------|---------|
| Mod.         | A  | C    | D    | E    | F    | H  | L    | SW | SW1 | Weight (g) | Package |
| X6430 4-1/8  | 4  | 4.3  | R1/8 | 15.3 | 10   | 8  | 33.6 | 12 | 12  | 33         | 10      |
| X6430 4-1/4  | 4  | 4.3  | R1/4 | 15.8 | 10   | 10 | 33.6 | 12 | 15  | 41         | 10      |
| X6430 6-1/8  | 6  | 8.8  | R1/8 | 16.1 | 11.9 | 8  | 44.6 | 12 | 12  | 33         | 10      |
| X6430 6-1/4  | 6  | 5.8  | R1/4 | 18.6 | 13   | 10 | 38.6 | 14 | 15  | 45         | 10      |
| X6430 8-1/8  | 8  | 8.3  | R1/8 | 17.3 | 15   | 8  | 48.8 | 14 | 12  | 46         | 10      |
| X6430 8-1/4  | 8  | 8.3  | R1/4 | 18.5 | 15   | 10 | 48.8 | 14 | 15  | 54         | 10      |
| X6430 10-1/4 | 10 | 10.7 | R1/4 | 21.1 | 17.4 | 10 | 55.8 | 17 | 15  | 77         | 10      |
| X6430 10-3/8 | 10 | 10.7 | R3/8 | 20.9 | 17.4 | 11 | 55.8 | 17 | 19  | 84         | 10      |
| X6430 12-1/4 | 12 | 9.5  | R1/4 | 21.1 | 20   | 10 | 57   | 17 | 15  | 79         | 10      |
| X6430 12-3/8 | 12 | 9.5  | R3/8 | 20.9 | 20   | 11 | 57   | 17 | 19  | 87         | 10      |
| X6430 12-1/2 | 12 | 15.6 | R1/2 | 19.4 | 20   | 13 | 57   | 17 | 22  | 100        | 10      |

**Fittings Mod. X6522**

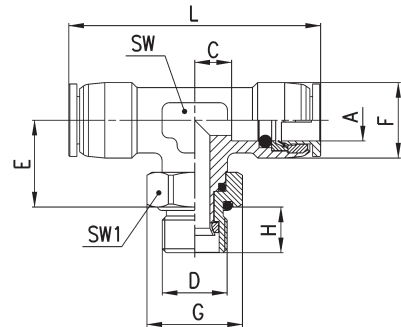
BSP Swivel Elbow



| DIMENSIONS   |    |      |      |      |      |      |     |      |    |     |            |         |
|--------------|----|------|------|------|------|------|-----|------|----|-----|------------|---------|
| Mod.         | A  | C    | D    | E    | F    | G    | H   | M    | SW | SW1 | Weight (g) | Package |
| X6522 4-1/8  | 4  | 4.3  | G1/8 | 15.3 | 10   | 15   | 6.5 | 16.8 | 12 | 14  | 22         | 10      |
| X6522 4-1/4  | 4  | 4.3  | G1/4 | 15.7 | 10   | 18.5 | 9   | 16.8 | 12 | 17  | 25         | 10      |
| X6522 6-1/8  | 6  | 8.8  | G1/8 | 15.3 | 11.9 | 15   | 6.5 | 22.3 | 12 | 14  | 26         | 10      |
| X6522 6-1/4  | 6  | 5.8  | G1/4 | 18.7 | 13   | 18.5 | 9   | 19.3 | 14 | 17  | 40         | 10      |
| X6522 8-1/8  | 8  | 9.4  | G1/8 | 19.5 | 15   | 15   | 6.5 | 25.5 | 14 | 14  | 43         | 10      |
| X6522 8-1/4  | 8  | 9.4  | G1/4 | 18.7 | 15   | 18.5 | 9   | 25.5 | 14 | 17  | 46         | 10      |
| X6522 10-1/4 | 10 | 10.7 | G1/4 | 19.5 | 17.4 | 18.5 | 9   | 27.9 | 17 | 17  | 59         | 10      |
| X6522 10-3/8 | 10 | 10.7 | G3/8 | 20.4 | 17.4 | 24   | 9   | 27.9 | 17 | 22  | 72         | 10      |
| X6522 12-1/4 | 12 | 9.5  | G1/4 | 20   | 20   | 18.5 | 9   | 28.5 | 17 | 17  | 63         | 10      |
| X6522 12-3/8 | 12 | 9.5  | G3/8 | 20.4 | 20   | 24   | 9   | 28.5 | 17 | 22  | 73         | 10      |
| X6522 12-1/2 | 12 | 9.5  | G1/2 | 20.4 | 20   | 30   | 9.5 | 28.5 | 17 | 27  | 83         | 10      |

**Fittings Mod. X6432**

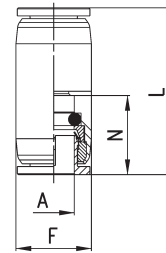
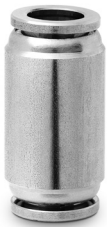
BSP Swivel Centre Tee



| DIMENSIONS   |    |      |      |      |      |      |     |      |    |     |            |         |
|--------------|----|------|------|------|------|------|-----|------|----|-----|------------|---------|
| Mod.         | A  | C    | D    | E    | F    | G    | H   | L    | SW | SW1 | Weight (g) | Package |
| X6432 4-1/8  | 4  | 4.3  | G1/8 | 15.3 | 10   | 15   | 6.5 | 33.6 | 12 | 14  | 33         | 10      |
| X6432 4-1/4  | 4  | 4.3  | G1/4 | 15.7 | 10   | 18.5 | 9   | 33.6 | 12 | 17  | 46         | 10      |
| X6432 6-1/8  | 6  | 8.8  | G1/8 | 16.1 | 11.9 | 15   | 6.5 | 44.6 | 12 | 14  | 35         | 10      |
| X6432 6-1/4  | 6  | 5.8  | G1/4 | 17.5 | 13   | 18.5 | 9   | 38.6 | 14 | 17  | 47         | 10      |
| X6432 8-1/8  | 8  | 8.3  | G1/8 | 17.3 | 15   | 15   | 6.5 | 48.8 | 14 | 14  | 52         | 10      |
| X6432 8-1/4  | 8  | 8.3  | G1/4 | 17.4 | 15   | 18.5 | 9   | 48.8 | 14 | 17  | 57         | 10      |
| X6432 10-1/4 | 10 | 10.7 | G1/4 | 20   | 17.4 | 18.5 | 9   | 55.8 | 17 | 17  | 79         | 10      |
| X6432 10-3/8 | 10 | 10.7 | G3/8 | 20.4 | 17.4 | 24   | 9   | 55.8 | 17 | 22  | 91         | 10      |
| X6432 12-1/4 | 12 | 9.5  | G1/4 | 20   | 20   | 18.5 | 9   | 57   | 17 | 17  | 82         | 10      |
| X6432 12-3/8 | 12 | 9.5  | G3/8 | 20.4 | 20   | 24   | 9   | 57   | 17 | 22  | 94         | 10      |
| X6432 12-1/2 | 12 | 9.5  | G1/2 | 20.4 | 20   | 30   | 9.5 | 57   | 17 | 27  | 115        | 10      |

**Fittings Mod. X6580**

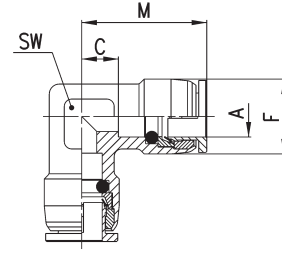
Union Connector



| DIMENSIONS |    |    |      |      |            |         |
|------------|----|----|------|------|------------|---------|
| Mod.       | A  | F  | L    | N    | Weight (g) | Package |
| X6580 4    | 4  | 10 | 26.5 | 12.5 | 10         | 10      |
| X6580 6    | 6  | 12 | 28.4 | 13.5 | 15         | 10      |
| X6580 8    | 8  | 15 | 33.7 | 16.1 | 26         | 10      |
| X6580 10   | 10 | 18 | 36.4 | 17.2 | 39         | 10      |
| X6580 12   | 12 | 20 | 41   | 19   | 54         | 10      |

### Fittings Mod. X6550

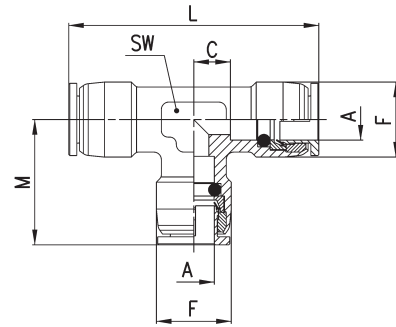
Elbow Connector



| DIMENSIONS |    |     |      |      |    |            |         |
|------------|----|-----|------|------|----|------------|---------|
| Mod.       | A  | C   | F    | M    | SW | Weight (g) | Package |
| X6550 4    | 4  | 7.8 | 11   | 20.3 | 12 | 22         | 10      |
| X6550 6    | 6  | 8.8 | 11.9 | 22.3 | 12 | 23         | 10      |
| X6550 8    | 8  | 8.4 | 15   | 24.5 | 12 | 28         | 10      |
| X6550 10   | 10 | 8.7 | 17.4 | 25.9 | 14 | 42         | 10      |
| X6550 12   | 12 | 9.5 | 20   | 28.5 | 17 | 58         | 10      |

### Fittings Mod. X6540

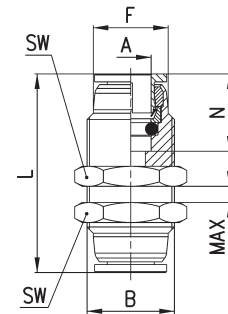
Tee Connector



| DIMENSIONS |    |     |      |      |      |    |            |         |
|------------|----|-----|------|------|------|----|------------|---------|
| Mod.       | A  | C   | F    | L    | M    | SW | Weight (g) | Package |
| X6540 4    | 4  | 8.8 | 11   | 42.6 | 21.3 | 12 | 32         | 10      |
| X6540 6    | 6  | 8.8 | 11.9 | 44.6 | 22.3 | 12 | 33         | 10      |
| X6540 8    | 8  | 8.4 | 15   | 49   | 24.5 | 12 | 44         | 10      |
| X6540 10   | 10 | 8.7 | 17.4 | 51.8 | 25.9 | 14 | 54         | 10      |
| X6540 12   | 12 | 9.5 | 20   | 57   | 28.5 | 17 | 80         | 10      |

### Fittings Mod. X6590

Bulkhead Union Connector

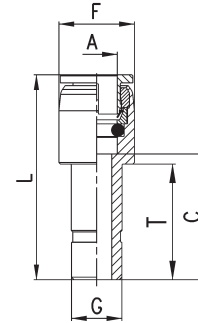


| DIMENSIONS |    |       |      |      |      |     |    |            |         |
|------------|----|-------|------|------|------|-----|----|------------|---------|
| Mod.       | A  | B     | F    | L    | N    | MAX | SW | Weight (g) | Package |
| X6590 4    | 4  | M11X1 | 9.7  | 29   | 12.5 | 6   | 14 | 17         | 10      |
| X6590 6    | 6  | M13X1 | 11.6 | 34   | 13.5 | 9   | 17 | 29         | 10      |
| X6590 8    | 8  | M16X1 | 14.7 | 37.2 | 16.1 | 9   | 19 | 40         | 10      |
| X6590 10   | 10 | M19X1 | 17.4 | 43.4 | 17.2 | 11  | 22 | 62         | 10      |
| X6590 12   | 12 | M22X1 | 20   | 50   | 19   | 15  | 27 | 103        | 10      |

**Fittings Mod. X6800**



Reducer Tube/Stem



| DIMENSIONS  |    |      |    |    |      |      |            |         |
|-------------|----|------|----|----|------|------|------------|---------|
| Mod.        | A  | C    | F  | G  | L    | T    | Weight (g) | Package |
| X6800 4-6   | 4  | 16.8 | 10 | 6  | 29.3 | 15.3 | 7          | 10      |
| X6800 4-8   | 4  | 19.8 | 10 | 8  | 32.3 | 17.8 | 10         | 10      |
| X6800 6-8   | 6  | 19.8 | 12 | 8  | 33.5 | 17.8 | 11         | 10      |
| X6800 6-10  | 6  | 22.6 | 12 | 10 | 36   | 21.6 | 12         | 10      |
| X6800 6-12  | 6  | 23   | 12 | 12 | 36.5 | -    | 19         | 10      |
| X6800 8-10  | 8  | 22.5 | 15 | 10 | 38.6 | 20   | 14         | 10      |
| X6800 8-12  | 8  | 24.5 | 15 | 12 | 40.6 | 23   | 21         | 10      |
| X6800 10-12 | 10 | 26   | 18 | 12 | 43.2 | 23   | 27         | 10      |

SERIES X6000 SUPER-RAPID FITTINGS IN STAINLESS STEEL 316L