

OX1 fittings and accessories for applications of medical gases

New

Tube external diameters: 4, 6 and 8 mm

Fittings threads: metric (M5), BSP (G1/8, G1/4), BSPT (R1/8, R1/4)



OX1 FITTINGS AND ACCESSORIES FOR APPLICATIONS OF MEDICAL GASES

OX1 fittings are designed for the Life Science market, particularly for medical and analytical applications.

Equipment manufacturers of Ventilators, Anaesthesia devices, Oxygen Concentrators, Mass Spectrometry or Bio Medical analysers have qualified the Series OX1 fittings for many years.

OX1 Products Cleanliness level:
Non volatile residue equal to or less than 550 mg/m²
Level OX1 : ultrasonic cleaning of components, inspection with UV black light, lubrication with a specific grease suitable to be used with oxygen.

- » Ultrasonic cleaning
- » Oxygen suitable grease
- » Approved Collet technology
- » Long life service
- » Use with PA, PU, PE or Fluoropolymer Tubings

Serie 6000 OX1 push in fittings:

Series 6000 OX1 super-rapid fittings have been designed with a special collet which provides an homogeneous tight on the whole surface of plastic tubes, thus ensuring high reliability and a long service life, also after connections and disconnections of the tube are repeated several times.

Serie VNR OX1 unidirectional valves:

They are available with Integrated Push-in Fittings. Thanks to their construction they operate at low pressure.

Serie 2000 OX1 brass pipe fittings:

The wide range of Camozzi pipe fittings, which includes straight, L and Tee, male or female couplings, guarantees the necessary support during the design of medical and analytical systems.

GENERAL CHARACTERISTICS

| | |
|-------------------------|---|
| Series 6000 | |
| Diameters | ∅ 4, 6 and 8mm |
| Threads | GAS cylindrical ISO 228 (BSP); M5 |
| Temperature | -10 °C ÷ 80 °C (see the technical data of tubing used) |
| Tube to connect | Polyamide (PA) 6 - 11 - 12, Polyurethane (PU), Fluoropolymer (FEP) |
| Fluid | Oxygen, Medical Gases, Compressed Air or Other low pressure fluids |
| Materials | Standard models: body and collet in nickel-plated brass, O-ring with FKM with Oxygen suitable grease. |
| Working pressure | Standard models: min -0,9 bar - max 16 bar (see tubing) |

| | |
|--------------------------------|--|
| Series VNR | |
| Valve group | automatic valves |
| Construction | poppet-type |
| Materials | brass body stainless steel spring FKM seals |
| Mounting | in any position |
| Dimensions tube version | ∅4; ∅6; ∅8 |
| Operating temperature | 0 °C ÷ 80 °C |
| Fluid | Oxygen, Medical Gases, Compressed Air or Other low pressure fluids |

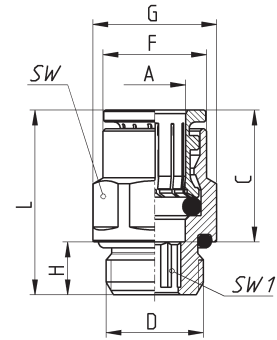
| | |
|-------------------------|--|
| Series 2000 | |
| Threads | GAS conical ISO 7 (BSPT) GAS cylindrical ISO 228 (BSP) |
| Temperature | -40 °C ÷ 120 °C |
| Fluid | Oxygen, Medical Gases, Compressed Air or Other low pressure fluids |
| Materials | nickel-plated brass |
| Working pressure | 80 bar |

OX1 FITTINGS AND ACCESSORIES FOR APPLICATIONS OF MEDICAL GASES

Fittings Mod. 6512-OX1

New

Metric-BSP Male Connector



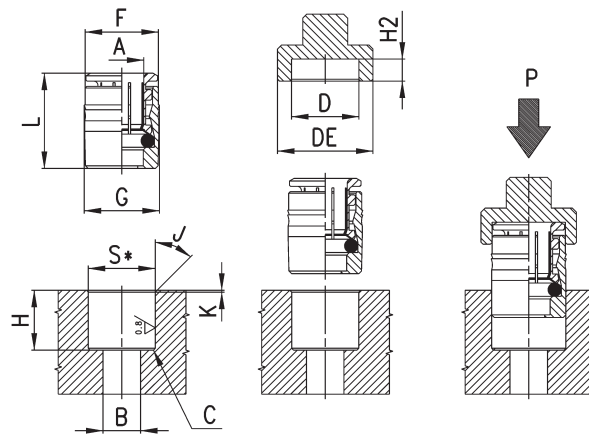
| DIMENSIONS | | | | | | | | | | |
|----------------|---|------|------|------|------|---|------|----|-----|------------|
| Mod. | A | D | C | F | G | H | L | SW | SW1 | Weight (g) |
| 6512 4-M5-OX1 | 4 | M5 | 14.0 | 7.8 | 8.8 | 4 | 20 | 8 | 2 | 4 |
| 6512 4-1/8-OX1 | 4 | G1/8 | 14.0 | 8.8 | 13.5 | 6 | 19 | 12 | 2.5 | 10 |
| 6512 6-M5-OX1 | 6 | M5 | 16.0 | 11.7 | 13.2 | 4 | 22 | 12 | 2 | 8 |
| 6512 6-1/8-OX1 | 6 | G1/8 | 16.0 | 11.7 | 13.5 | 6 | 21 | 12 | 4 | 10 |
| 6512 6-1/4-OX1 | 6 | G1/4 | 16.0 | 11.7 | 16.4 | 7 | 22 | 15 | 4 | 13 |
| 6512 8-1/8-OX1 | 8 | G1/8 | 17.5 | 13.7 | 15.2 | 6 | 26 | 14 | 5 | 15 |
| 6512 8-1/4-OX1 | 8 | G1/4 | 17.5 | 13.7 | 16.4 | 7 | 24.5 | 15 | 6 | 17 |

Fittings Mod. 6700-OX1

New

Cartridge

S* = for both metallic and synthetic seat

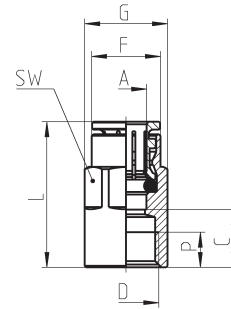


| Mod. | A | B | C | D | DE | F | G | H | H2 (+0,1/0) | J | K | L | P min (Kg) | P max (Kg) | S (+0,01/-0,04) | Weight (g) |
|------------|---|-----|---------|-----|----|------|------|----|-------------|-----|-----|------|------------|------------|-----------------|------------|
| 6700 4-OX1 | 4 | 3.5 | 0.5x45° | 8.8 | 14 | 8.6 | 9 | 11 | 3.3 | 15° | 0.5 | 14.5 | 200 | 360 | 8.75 | 4 |
| 6700 6-OX1 | 6 | 4 | 0.5x45° | 12 | 17 | 11.8 | 12.2 | 12 | 3.8 | 15° | 0.5 | 16.5 | 160 | 570 | 11.95 | 8 |

Fittings Mod. 6463-OX1

New

Metric-BSP Female Connector

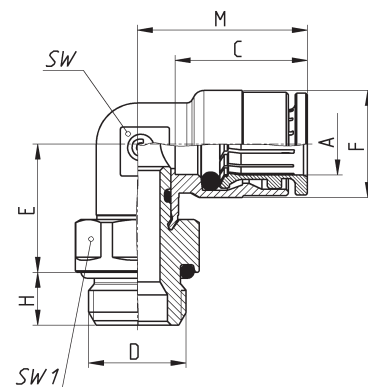


| DIMENSIONS | | | | | | | | | |
|----------------|---|------|------|------|------|------|---------|----|------------|
| Mod. | A | D | C | F | G | L | P (min) | SW | Weight (g) |
| 6463 4-1/8-OX1 | 4 | G1/8 | 10 | 9 | 13 | 24 | 6 | 12 | 14 |
| 6463 6-1/8-OX1 | 6 | G1/8 | 10 | 11.7 | 13 | 26 | 6 | 12 | 14 |
| 6463 6-1/4-OX1 | 6 | G1/4 | 11.5 | 11.9 | 16.5 | 27.5 | 7 | 15 | 23 |

Fittings Mod. 6522-OX1

New

Metric-BSP Swivel Male Elbow

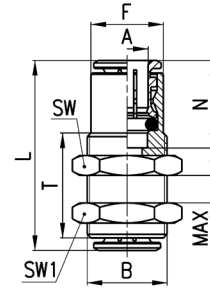


| DIMENSIONS | | | | | | | | | | |
|----------------|---|------|------|------|------|---|------|----|-----|------------|
| Mod. | A | D | C | E | F | H | M | SW | SW1 | Weight (g) |
| 6522 4-M5-OX1 | 4 | M5 | 14.0 | 12.5 | 9 | 4 | 17.5 | 8 | 8 | 12 |
| 6522 4-1/8-OX1 | 4 | G1/8 | 14.0 | 14.5 | 9 | 6 | 17.5 | 8 | 12 | 15 |
| 6522 6-M5-OX1 | 6 | M5 | 16.0 | 13 | 12.7 | 4 | 20 | 9 | 10 | 14 |
| 6522 6-1/8-OX1 | 6 | G1/8 | 16.0 | 15 | 12.7 | 6 | 20 | 9 | 12 | 19 |
| 6522 6-1/4-OX1 | 6 | G1/4 | 16.0 | 16 | 12.7 | 7 | 20 | 9 | 15 | 27 |
| 6522 8-1/8-OX1 | 8 | G1/8 | 17.5 | 16 | 14.2 | 6 | 22.5 | 11 | 12 | 22 |
| 6522 8-1/4-OX1 | 8 | G1/4 | 17.5 | 17 | 14.2 | 7 | 22.5 | 11 | 15 | 28 |

Fittings Mod. 6590-OX1

New

Bulkhead Connector

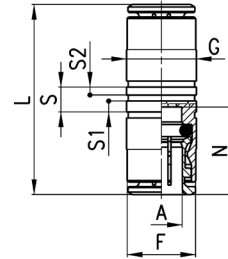


| DIMENSIONS | | | | | | | | | | |
|------------|---|-------|------|----|----|------|----|-----|----|------------|
| Mod. | A | B | F | L | N | MAX | SW | SW1 | T | Weight (g) |
| 6590 4-OX1 | 4 | M10x1 | 8.8 | 29 | 14 | 10.5 | 14 | 14 | 20 | 16 |
| 6590 6-OX1 | 6 | M14x1 | 12.5 | 33 | 16 | 10.5 | 17 | 17 | 20 | 28 |

Fittings Mod. 6580-OX1

New

Union Connector

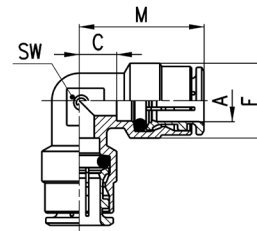


| DIMENSIONS | | | | | | | | | | |
|------------|---|------|----|----|------|---|-----|-----|------------|--|
| Mod. | A | F | G | L | N | S | S1 | S2 | Weight (g) | |
| 6580 4-OX1 | 4 | 8.4 | 9 | 29 | 14 | 5 | 2.2 | 1.6 | 11 | |
| 6580 6-OX1 | 6 | 11.7 | 12 | 34 | 16 | 5 | 2.2 | 1.6 | 16 | |
| 6580 8-OX1 | 8 | 13.7 | 14 | 37 | 17.5 | 5 | 2.2 | 1.6 | 23 | |

Fittings Mod. 6550-OX1

New

Elbow connector

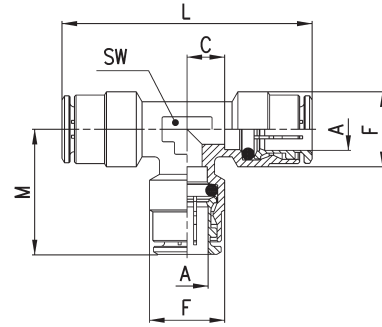


| DIMENSIONS | | | | | | |
|------------|---|-----|------|------|----|------------|
| Mod. | A | C | F | M | SW | Weight (g) |
| 6550 4-OX1 | 4 | 3.5 | 9 | 17.5 | 8 | 8 |
| 6550 6-OX1 | 6 | 4 | 12.7 | 20 | 9 | 17 |

Fittings Mod. 6540-OX1

New

Tee Connector

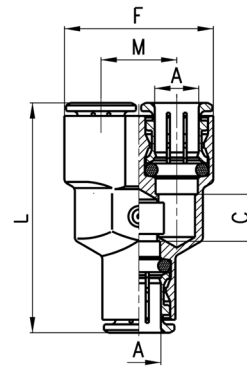


| DIMENSIONS | | | | | | | |
|------------|---|-----|------|----|------|----|------------|
| Mod. | A | C | F | L | M | SW | Weight (g) |
| 6540 4-OX1 | 4 | 3.5 | 9 | 35 | 17.5 | 8 | 14 |
| 6540 6-OX1 | 6 | 4 | 12.7 | 40 | 20 | 9 | 24 |

Fittings Mod. 6560-OX1

New

Y Union

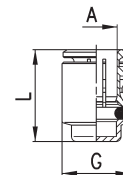


| DIMENSIONS | | | | | | |
|------------|---|---|------|----|------|------------|
| Mod. | A | C | F | L | M | Weight (g) |
| 6560 4-OX1 | 4 | 5 | 18 | 33 | 9 | 19 |
| 6560 6-OX1 | 6 | 7 | 24.5 | 39 | 12.5 | 30 |

Fittings Mod. 6750-OX1

New

Female Plug



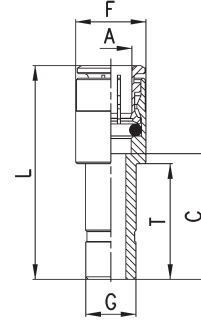
| DIMENSIONS | | | | |
|------------|---|------|----|------------|
| Mod. | A | G | L | Weight (g) |
| 6750 4-OX1 | 4 | 8.8 | 15 | 4 |
| 6750 6-OX1 | 6 | 11.8 | 17 | 7 |

Fittings Mod. 6800-OX1

New



Reducer Junction



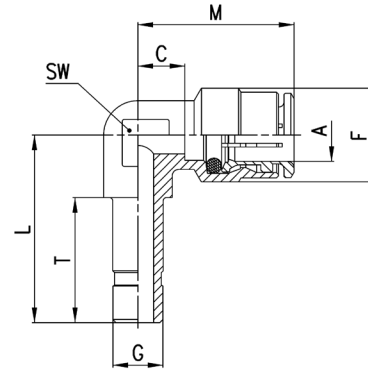
| DIMENSIONS | | | | | | | |
|--------------|---|---|------|------|------|------|------------|
| Mod. | A | G | C | F | L | T | Weight (g) |
| 6800 4-6-OX1 | 4 | 6 | 15.5 | 9 | 29.5 | 18 | 9 |
| 6800 4-8-OX1 | 4 | 8 | 18 | 9 | 32 | 20.5 | 10 |
| 6800 6-8-OX1 | 6 | 8 | 18 | 12.7 | 34 | 20.5 | 12 |

Fittings Mod. 6555-OX1

New



Junction Elbow



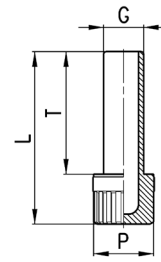
| DIMENSIONS | | | | | | | | | |
|--------------|---|---|---|------|------|----|----|----|------------|
| Mod. | A | G | C | L | F | T | M | SW | Weight (g) |
| 6555 6-6-OX1 | 6 | 6 | 4 | 24.5 | 12.7 | 18 | 20 | 9 | 14 |

Accessory Mod. 6900-OX1

New



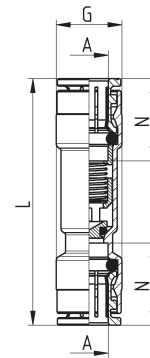
Plastic Male Plug



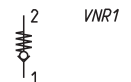
| DIMENSIONS | | | | | |
|------------|---|------|---|------|------------|
| Mod. | G | L | P | T | Weight (g) |
| 6900 4-OX1 | 4 | 29 | 8 | 20 | 1 |
| 6900 6-OX1 | 6 | 31.5 | 8 | 22.5 | 1 |

Series VNR unidirectional valves

New



| Mod. | A | G | L | N | Flow 6 bar $\Delta P1$ (NL/min) | Min. operating pressure (bar) | Max operating pressure (bar) | Weight (g) |
|----------------|---|----|------|------|------------------------------------|----------------------------------|---------------------------------|---------------|
| 6580 4-VNR-OX1 | 4 | 9 | 40 | 14 | 85 | 0,2 | 10 | 13 |
| 6580 6-VNR-OX1 | 6 | 12 | 48 | 16 | 450 | 0,2 | 10 | 20 |
| 6580 8-VNR-OX1 | 8 | 14 | 52.5 | 17.5 | 900 | 0,2 | 10 | 30 |

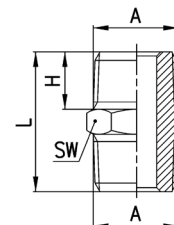


Fittings Mod. 2500-OX1

New



BSPT Nipple

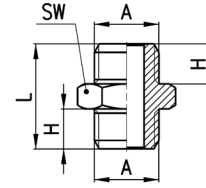


| DIMENSIONS | | | | | |
|--------------|------|-----|------|----|------------|
| Mod. | A | H | L | SW | Weight (g) |
| 2500 1/8-OX1 | R1/8 | 7,5 | 19,5 | 12 | 9 |
| 2500 1/4-OX1 | R1/4 | 11 | 27 | 14 | 16 |

Fittings Mod. 2501-OX1

New

Metric-BSP Nipple

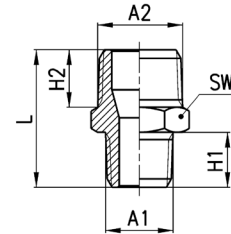


| DIMENSIONS | | | | | |
|--------------|------|---|------|----|------------|
| Mod. | A | H | L | SW | Weight (g) |
| 2501 1/8-OX1 | G1/8 | 6 | 16,5 | 13 | 9 |
| 2501 1/4-OX1 | G1/4 | 8 | 21 | 17 | 15 |

Fittings Mod. 2510-OX1

New

BSPT Reducing Nipple

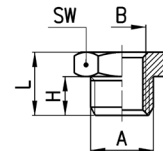


| DIMENSIONS | | | | | | | |
|------------------|------|------|----|-----|------|----|------------|
| Mod. | A1 | A2 | H2 | H1 | L | SW | Weight (g) |
| 2510 1/8-1/4-OX1 | R1/8 | R1/4 | 11 | 7,5 | 23,5 | 14 | 14 |

Fittings Mod. 2531-OX1

New

BSP Reducing



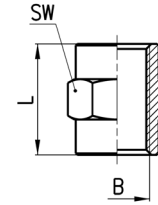
| DIMENSIONS | | | | | | |
|------------------|------|------|---|------|----|------------|
| Mod. | A | B | H | L | SW | Weight (g) |
| 2531 1/8-M5-OX1 | G1/8 | M5 | 6 | 10,5 | 13 | 8 * |
| 2531 1/4-1/8-OX1 | G1/4 | G1/8 | 8 | 13 | 17 | 11 * |

* = with through-out thread

Fittings Mod. 2543-OX1

New

Sleeve

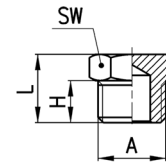


| DIMENSIONS | | | | |
|--------------|------|----|----|------------|
| Mod. | B | L | SW | Weight (g) |
| 2543 M5-OX1 | M5 | 11 | 8 | 3 |
| 2543 1/8-OX1 | G1/8 | 15 | 13 | 8 |
| 2543 1/4-OX1 | G1/4 | 22 | 17 | 19 |

Fittings Mod. 2611-OX1

New

BSP Male Plug

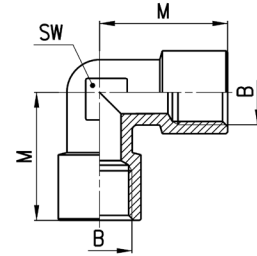


| DIMENSIONS | | | | | |
|--------------|------|---|------|----|------------|
| Mod. | A | H | L | SW | Weight (g) |
| 2611 M5-OX1 | M5 | 4 | 7,5 | 8 | 2 |
| 2611 1/8-OX1 | G1/8 | 6 | 10,5 | 13 | 7 |
| 2611 1/4-OX1 | G1/4 | 8 | 13 | 17 | 13 |

Fittings Mod. 2013-OX1

New

BSPT Female Elbow



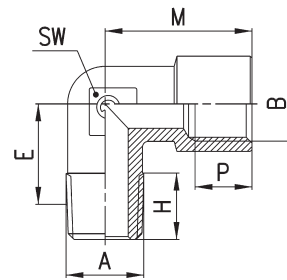
| DIMENSIONS | | | | |
|--------------|------|----|----|------------|
| Mod. | B | M | SW | Weight (g) |
| 2013 1/8-OX1 | G1/8 | 19 | 11 | 16 |
| 2013 1/4-OX1 | G1/4 | 23 | 14 | 28 |

OX1 FITTINGS AND ACCESSORIES FOR APPLICATIONS OF MEDICAL GASES

Fittings Mod. 2021-OX1 and 2020-OX1

New

Mod. 2021-OX1: Metric Male Female Elbow
Mod. 2020-OX1: BSPT Male Female Elbow

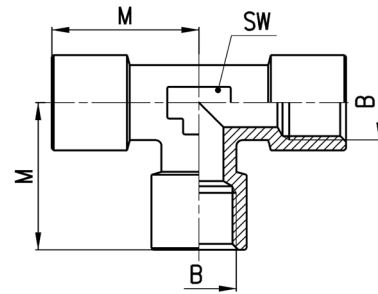


| DIMENSIONS | | | | | | | | |
|------------------|------|------|------|-----|----|---------|----|------------|
| Mod. | A | B | E | H | M | P (min) | SW | Weight (g) |
| 2020 1/8-1/8-OX1 | R1/8 | G1/8 | 11,5 | 8,5 | 19 | 6 | 11 | 17 |
| 2020 1/4-1/4-OX1 | R1/4 | G1/4 | 15 | 11 | 23 | 7 | 13 | 27 |

Fittings Mod. 2003-OX1

New

Female Tee

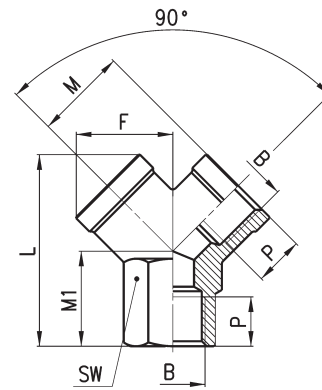


| DIMENSIONS | | | | |
|--------------|------|----|----|------------|
| Mod. | B | M | SW | Weight (g) |
| 2003 1/8-OX1 | G1/8 | 19 | 12 | 23 |
| 2003 1/4-OX1 | G1/4 | 23 | 13 | 39 |

Fittings Mod. 2043-OX1

New

Female Y



| DIMENSIONS | | | | | | | | |
|--------------|------|------|------|------|----|----|----|------------|
| Mod. | B | F | L | M | M1 | P | SW | Weight (g) |
| 2043 1/8-OX1 | G1/8 | 14,5 | 26,5 | 14 | 12 | 8 | 13 | 18 |
| 2043 1/4-OX1 | G1/4 | 18 | 32 | 17,5 | 14 | 11 | 17 | 32 |