

Series 6 direct acting solenoid valves

2/2-way - Normally Closed (NC)

3/2-way - Normally Closed (NC), Normally Open (NO)

SERIES 6 SOLENOID VALVES



- » Ports: G1/8, G3/8, cartridge Ø4
- » Available also in version for the low temperatures up to -50°C

The bodies of these valves can be used either individually or in manifolds. The latter are provided with G1/8 threaded ports or an inbuilt diameter 4 cartridge (G3/8 for 2-way only).

Series 6 solenoid valves are available as 2/2 and 3/2-way, either NC or NO. These direct acting solenoid valves can be used either with or without lubrication.

GENERAL DATA

TECHNICAL FEATURES

Function	2/2 NC - 3/2 NC - 3/2 NO
Operation	direct acting poppet type
Pneumatic connections	G1/8, G3/8 threads - Ø4 fitting - CNOMO interface
Orifice diameter	2 ... 4 mm
Flow coefficient kv (l/min)	1.2 ... 5.4
Operating pressure	0 ÷ 4 ... 15 bar
Operating temperature	0 ÷ 60 °C (FKM seals) / -50 ÷ 50 °C (NBR seals)
Media	filtered air class [5:4:4] ([5:1:4] for versions -50°C) according to ISO 8573-1:2010 (max oil viscosity 32 cSt), inert gas
Response time	ON <15 ms - OFF <15 ms
Manual override	see tables
Installation	in any position

MATERIALS IN CONTACT WITH THE MEDIUM

Body	nickel-plated brass - anodized aluminium
Seals	FKM (NBR for versions -50 °C)
Internal parts	stainless steel

ELECTRICAL FEATURES

Voltage	12 ... 110 V DC - 24 ... 230 V AC 50/60 Hz
Voltage tolerance	±10% (DC) - +10% ÷ -15% (AC)
Power consumption	10 W (DC) - 19 VA (inrush AC), 12 VA (holding AC)
Duty cycle	ED 100%
Insulation class	H (180°C)
Electrical connection	connector DIN EN 175 301-803-A
Protection class	IP65 with connector

Special versions available on demand

CODING EXAMPLE

6	3	8	M	-	105	-	A	6	B
----------	----------	----------	----------	----------	------------	----------	----------	----------	----------

6	SERIES
3	NUMBER OF PORTS AND FUNCTIONS 0 = interface 2 = 2/2-way - NC 3 = 3/2-way - NC 4 = 3/2-way - NO
8	CONNECTION 0 = interface 3 = G3/8 8 = G1/8 C = cartridge Ø 4
M	M = manifold
105	TYPE OF BODY 150 = threaded body G1/8 - orifice Ø 2 mm 15E = threaded body G3/8 - orifice Ø 2.5 mm 15F = threaded body G3/8 - orifice Ø 3 mm 15G = threaded body G3/8 - orifice Ø 4 mm 450 = rotatable interface body - Ø 2 mm orifice 45E = rotatable interface body - Ø 2.5 mm orifice 457 = fixed interface body - Ø 2 mm orifice 101 = single manifold 102 = manifold - 2 pieces 103 = manifold - 3 pieces 104 = manifold - 4 pieces 105 = manifold - 5 pieces 106 = manifold - 6 pieces 107 = manifold - 7 pieces 108 = manifold - 8 pieces 109 = manifold - 9 pieces 110 = manifold - 10 pieces 111 = manifold - 11 pieces 112 = manifold - 12 pieces 113 = manifold - 13 pieces 114 = manifold - 14 pieces 115 = manifold - 15 pieces
A	COIL MATERIAL: A = PPS
6	SOLENOID DIMENSIONS 6 = 32x32
B	VOLTAGE - POWER CONSUMPTION B = 24 V 50/60 Hz - 12 VA C = 48 V 50/60 Hz - 12 VA D = 110 V 50/60 Hz - 12 VA E = 230 V 50/60 Hz - 12 VA 2 = 12 V DC - 10 W 3 = 24 V DC - 10 W 4 = 48 V DC - 10 W 5 = 72 V DC - 10 W 6 = 110 V DC - 10 W 8 = 160 V DC - 10 W
	VERSIONS = standard LT = for low temperatures

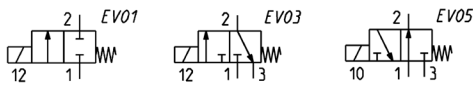
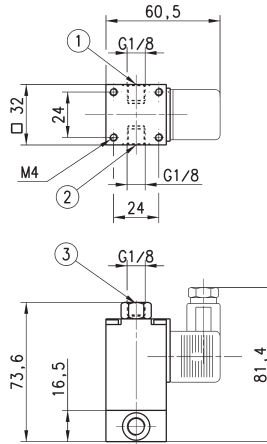
Series 6 solenoid valve - 2/2 and 3/2-way NC - Mod. 628 - 638 - 648



These valves are particularly suitable for operating single-acting cylinders or for use as signal valves.

In the mod. 648-150-A6* (NO) connections 1 and 3 are inverted.

* add
- VOLTAGE
(see CODING EXAMPLE)



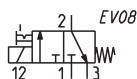
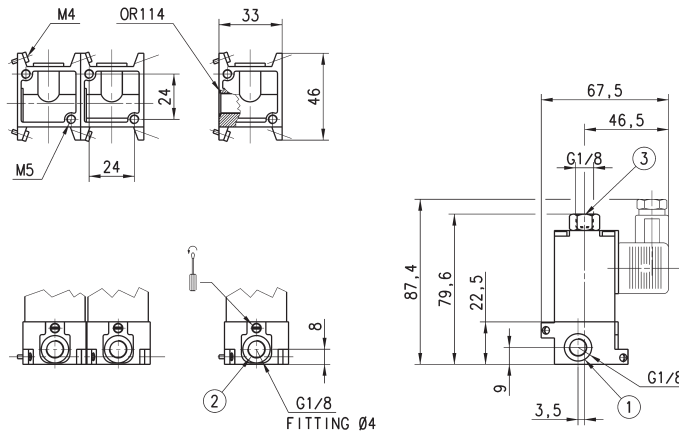
Mod.	Ports	Function	Orifice Ø (mm)	kv (l/min)	Qn (Nl/min)	Pressure min-max (bar)	Symbol
628-150-A6*	G1/8	2/2 NC	2	2.0	130	0 ÷ 10 [DC] - 0 ÷ 7 [AC]	EV01
638-150-A6*	G1/8	3/2 NC	2	2.0	130	0 ÷ 10	EV03
648-150-A6*	G1/8	3/2 NO	2	1.2	80	0 ÷ 8 [DC] - 0 ÷ 6 [AC]	EV05

Series 6 solenoid valve - 3/2-way NC - Mod. 638M - 63CM



* add
- VOLTAGE
(see CODING EXAMPLE)

These solenoid valves are equipped with a manual override and are available with G1/8 inlet ports and with G1/8 outlets or with a diameter 4 cartridge. The body is supplied complete with screws and O-ring.

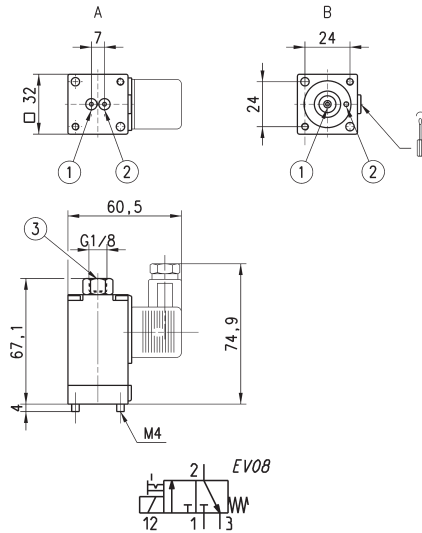


Mod.	Inlet	Outlet	Orifice Ø (mm)	kv (l/min)	Qn (Nl/min)	Pressure min-max (bar)
638M-101-A6*	G1/8	G1/8	2	1.8	120	0 ÷ 10
63CM-101-A6*	G1/8	cartridge Ø 4	2	1.6	108	0 ÷ 10

Series 6 solenoid valve - 3/2-way NC - Mod. 600



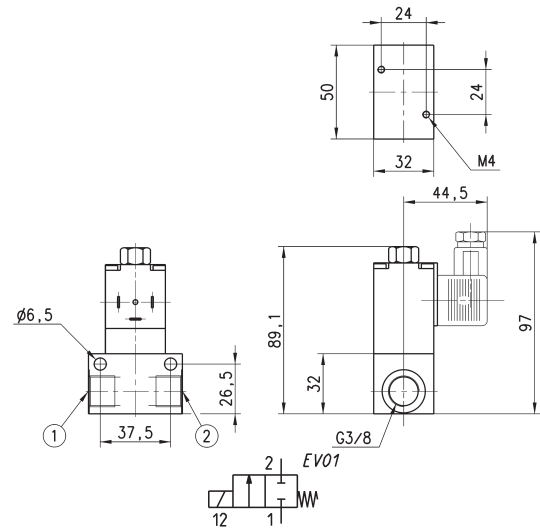
These solenoid valves are equipped with an override and are available with two types of interface:
 A = fixed interface
 B = rotatable interface



Mod.	Interface	Orifice \varnothing (mm)	kv (l/min)	Qn (NL/min)	Pressure min-max (bar)
600-450-A6*	rotatable	2	1.6	106	0 ÷ 10
600-45E-A6*	rotatable	2.5	2.0	130	0 ÷ 8
600-457-A6*	fixed	2	1.6	106	0 ÷ 10

* add
 - VOLTAGE
 (see CODING EXAMPLE)

Series 6 solenoid valve - 2/2-way NC - Mod. 623



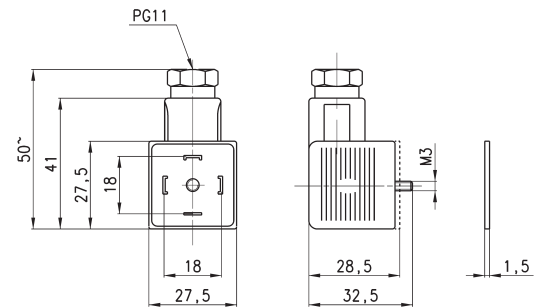
Mod.	Orifice \varnothing (mm)	kv (l/min)	Qn (NL/min)	Min-max pressure (bar)
623-15E-A6*	2.5	3.4	220	0 ÷ 12 [AC 50Hz] - 0 ÷ 15 [DC]
623-15F-A6*	3	4.5	290	0 ÷ 10 [AC 50Hz] - 0 ÷ 14 [DC]
623-15G-A6*	4	5.4	350	0 ÷ 4 [AC 50Hz] - 0 ÷ 7 [DC]

* add
 - VOLTAGE
 (see CODING EXAMPLE)

Connector Mod. 124-... DIN EN 175 301-803-A



Protection class IP65



Mod.	description	colour	working voltage	cable gland	tightening torque
124-800	connector, without electronics	black	-	PG9/PG11	0.5 Nm
124-702	connector, varistor + Led	black	110 V AC/DC	PG9/PG11	0.5 Nm
124-701	connector, varistor + Led	black	24 V AC/DC	PG9/PG11	0.5 Nm
124-703	connector, varistor + Led	black	230 V AC/DC	PG9/PG11	0.5 Nm