

GRIPfit push-in fittings Serie 7000 - Medical

Tube external diameters: 4, 6, 8 mm
Fittings threads: ISO-228 BSPP (G1/8, G1/4),
ISO-965 Metric parallel (M5).

- » Oxygen compatibility according to ASTM G93/G93M -19
- » Excellent resistance to humidity absorption
- » Excellent chemical resistance

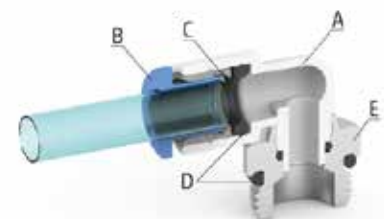


Series 7000 Medical push-in fittings are designed for the Life Science market, particularly for medical and analytical applications. These fittings are mainly made from bio-based materials and are compatible with most medical gases and fluids.



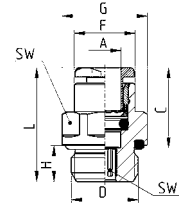
GENERAL DATA

| | |
|-----------------------------------|--|
| Diameters | ø 4 mm - ø 6 mm - ø 8 mm |
| Maximum operating pressure | - 20° / + 40° 16 bar - 16 bar - 16 bar + 40° / + 70° 16 bar - 14 bar - 12 bar + 70° / + 100° 16 bar - 12 bar - 10 bar |
| Minimum operating pressure | -0,9 bar |
| Temperature | -20 ÷ +100 (See characteristics of tubes used) |
| Threads | GAS cylindrical ISO-228 BSPP ISO-965 Metric parallel |
| Connecting tubes | Polyamide (PA 6- PA11 - PA12), Polyurethane (PU), Fluoropolymer (FEP), rigid metal pipe with smooth grooved metal end |
| Fluid | Oxygen and medical gases (for other fluids consult our technicians) |
| Materials | (A) Body = Technopolymer (PA11), Brass with chemical nickel plating (B) Button = Technopolymer (PA66) (C) Gripping ring = Stainless steel (AISI 301) (D) Seals = EPDM (E) Thread = Brass with chemical nickel plating |



Fittings Mod. W6512 OX1

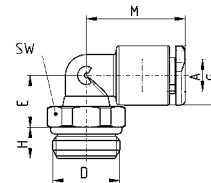
Male straight connector
Chemical nickel-plated brass
Thread metric parallel ISO-965 and BSPP ISO-228



| Mod. | A | D | C | F | G | H | L | SW | SW1 | Weight (g) |
|-----------------|---|------|------|------|------|---|------|----|-----|------------|
| W6512 4-M5-OX1 | 4 | M5 | 14,6 | 8,8 | 9,9 | 4 | 20,5 | 9 | 2 | 3 |
| W6512 4-1/8-OX1 | 4 | G1/8 | 14,6 | 8,8 | 13,5 | 6 | 20 | 12 | 2,5 | 8 |
| W6512 6-M5-OX1 | 6 | M5 | 15,5 | 11,7 | 13,2 | 4 | 21,5 | 12 | 2 | 6 |
| W6512 6-1/8-OX1 | 6 | G1/8 | 15,5 | 11,7 | 13,5 | 6 | 21 | 12 | 4 | 8 |
| W6512 6-1/4-OX1 | 6 | G1/4 | 15,5 | 11,7 | 16,4 | 7 | 22 | 15 | 4 | 11 |
| W6512 8-1/8-OX1 | 8 | G1/8 | 17,3 | 13,7 | 15,2 | 6 | 26 | 14 | 5 | 12 |
| W6512 8-1/4-OX1 | 8 | G1/4 | 17,3 | 13,7 | 16,4 | 7 | 24,5 | 15 | 6 | 14 |

Fittings Mod. W7522 OX1

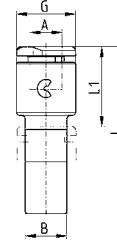
Swivel male elbow
Thread metric parallel ISO-965 and BSPP ISO-228



| Mod. | A | D | E | G | H | M | SW | Weight (g) |
|-----------------|---|------|------|------|-----|------|----|------------|
| W7522 4-M5-OX1 | 4 | M5 | 8,2 | 9,2 | 3,5 | 17 | 9 | 4 |
| W7522 4-1/8-OX1 | 4 | G1/8 | 9 | 9,2 | 5 | 17 | 12 | 7 |
| W7522 6-M5-OX1 | 6 | M5 | 9,2 | 11,4 | 3,5 | 19 | 9 | 5 |
| W7522 6-1/8-OX1 | 6 | G1/8 | 10 | 11,4 | 5 | 19 | 12 | 8 |
| W7522 6-1/4-OX1 | 6 | G1/4 | 10 | 11,4 | 6 | 19 | 14 | 11 |
| W7522 8-1/8-OX1 | 8 | G1/8 | 13,5 | 13,7 | 5 | 21,5 | 12 | 11 |
| W7522 8-1/4-OX1 | 8 | G1/4 | 12 | 13,7 | 6 | 21,5 | 14 | 14 |

Fittings Mod. W7800 OX1

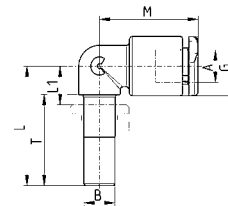
Reducer junction straight



| Mod. | A | B | G | L | L1 | Weight (g) |
|---------------|---|---|------|------|------|------------|
| W7800 4-6-OX1 | 4 | 6 | 9,3 | 29,5 | 14 | 2 |
| W7800 4-8-OX1 | 4 | 8 | 9,3 | 30,5 | 14 | 3 |
| W7800 6-8-OX1 | 6 | 8 | 11,4 | 32,5 | 15,5 | 4 |

Fittings Mod. W7555 OX1

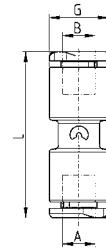
Equal junction elbow



| Mod. | A | B | G | L | L1 | M | T | Weight (g) |
|---------------|---|---|------|----|----|------|------|------------|
| W7555 4-4-OX1 | 4 | 4 | 9,2 | 21 | 7 | 17 | 16,5 | 2 |
| W7555 6-6-OX1 | 6 | 6 | 11,4 | 23 | 8 | 19 | 17,5 | 4 |
| W7555 8-8-OX1 | 8 | 8 | 13,7 | 25 | 9 | 21,5 | 18,5 | 5 |

Fittings Mod. W7580 OX1

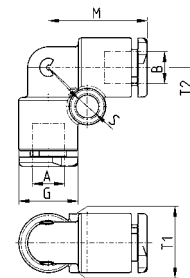
Equal intermediate straight



| Mod. | A | B | G | L | Weight (g) |
|-------------|---|---|------|------|------------|
| W7580 4-OX1 | 4 | 4 | 9,2 | 29,2 | 4 |
| W7580 6-OX1 | 6 | 6 | 11,4 | 32 | 6 |
| W7580 8-OX1 | 8 | 8 | 13,7 | 35,4 | 8 |

Fittings Mod. W7550 OX1

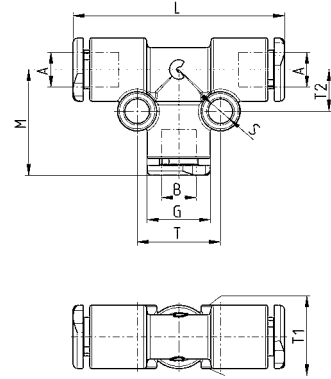
Equal intermediate elbow



| Mod. | A | B | G | M | S | T1 | T2 | Weight (g) |
|-------------|---|---|------|------|---|------|-----|------------|
| W7550 4-OX1 | 4 | 4 | 9,2 | 17 | 4 | 9,2 | 6,5 | 4 |
| W7550 6-OX1 | 6 | 6 | 11,4 | 19 | 4 | 11,4 | 7,5 | 6 |
| W7550 8-OX1 | 8 | 8 | 13,7 | 21,5 | 4 | 13,7 | 8,5 | 9 |

Fittings Mod. W7540 OX1

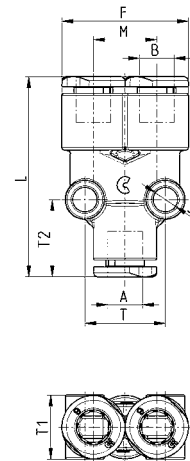
Equal intermediate tee



| Mod. | A | B | G | L | M | S | T | T1 | T2 | Weight (g) |
|-------------|---|---|------|----|------|---|----|------|-----|------------|
| W7540 4-OX1 | 4 | 4 | 9,2 | 34 | 17 | 4 | 12 | 9,2 | 6,5 | 6 |
| W7540 6-OX1 | 6 | 6 | 11,4 | 38 | 19 | 4 | 15 | 11,4 | 7,5 | 9 |
| W7540 8-OX1 | 8 | 8 | 13,7 | 43 | 21,5 | 4 | 17 | 13,7 | 8,5 | 14 |

Fittings Mod. W7560 OX1

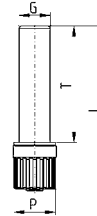
Equal intermediate Y



| Mod. | A | B | F | L | M | S | T | T1 | T2 | Weight (g) |
|-------------|---|---|------|------|------|---|------|------|----|------------|
| W7560 4-OX1 | 4 | 4 | 18,2 | 33,2 | 9 | 4 | 10,8 | 9,5 | 13 | 6 |
| W7560 6-OX1 | 6 | 6 | 23 | 36 | 11,4 | 4 | 14,5 | 11,5 | 14 | 9 |
| W7560 8-OX1 | 8 | 8 | 27,2 | 41,5 | 13,5 | 4 | 17 | 14 | 15 | 15 |

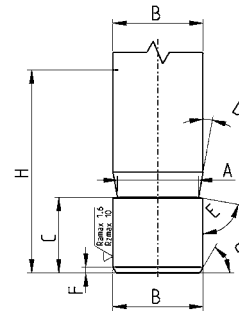
Accessory Mod. B6900

Plastic male plug



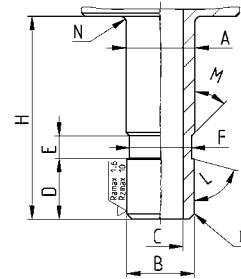
| Mod. | G | L | P | T | Weight (g) |
|----------------|---|------|----|------|------------|
| B6900 4 | 4 | 29 | 8 | 20 | 1 |
| B6900 6 | 6 | 31,5 | 8 | 22,5 | 1 |
| B6900 8 | 8 | 34,5 | 12 | 24,5 | 2 |

Groove for metal pipe made by Camozzi grooving tool 8TRT (or machining)



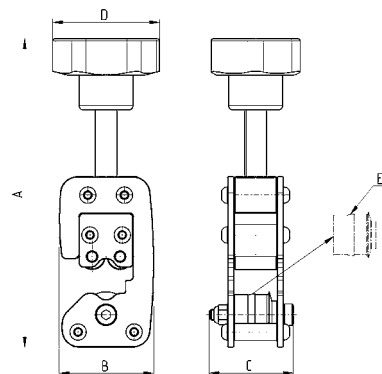
| A | B | C | D | E | F | G | H |
|-----|---|------|-----|-----|-----|-----|------|
| 3,4 | 4 | 5,3 | 10° | 80° | 0,5 | 30° | 16,5 |
| 5,2 | 6 | 6,25 | 10° | 80° | 0,5 | 30° | 18 |
| 7,2 | 8 | 6,4 | 10° | 80° | 0,5 | 30° | 20 |

Groove for metal pipe made by machining



| A | B | C | D | E | F | G | H | L | M | N |
|-----|---|---|-----|---|-----|---------|------|-----|-----|-----|
| 4,1 | 4 | 2 | 5,3 | 2 | 3,5 | 0,5x45° | 16,5 | 75° | 45° | 0,5 |
| 6,1 | 6 | 4 | 5,4 | 2 | 5,5 | 0,5x45° | 18 | 75° | 45° | 0,5 |
| 8,1 | 8 | 6 | 6 | 2 | 7,5 | 0,5x45° | 20,5 | 75° | 45° | 0,5 |

Grooving tool for metallic tubes



| Mod. | Tube Ø | A (max) | B | C | D | Weight (g) | E (spare wheel) |
|--------|--------|---------|------|----|----|------------|-----------------|
| 8TRT 4 | 4 | 138 | 43.5 | 39 | 50 | 450 | RTRT 4 |
| 8TRT 6 | 6 | 140 | 43.5 | 39 | 50 | 450 | RTRT 6 |
| 8TRT 8 | 8 | 142 | 43.5 | 39 | 50 | 450 | RTRT 8 |