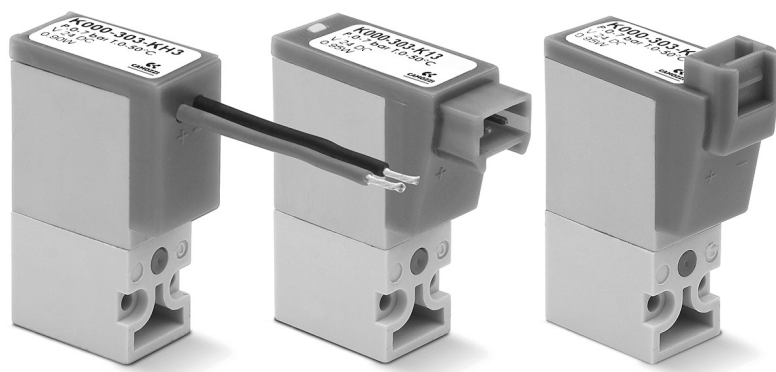


Series K directly operated solenoid valves

New models

2/2-way - Normally Closed (NC)

3/2-way - Normally Closed (NC) and Normally Open (NO)



- » Low power consumption
- » Compact design
- » Version for use with oxygen available

The Series K directly operated solenoid valves can be mounted on single sub-bases or manifolds.

Thanks to the same mounting pad 2/2-way and 3/2-way versions can be installed on the same manifold.

The manual override is available only for the 3/2-way versions.

GENERAL DATA

TECHNICAL FEATURES

Function	2/2 NC - 3/2 NC - 3/2 NO
Operation	direct acting poppet type
Pneumatic connections	on subbase by means of screws
Nominal diameter	0.6 ... 1 mm
Nominal flow	see the kv
Flow coefficient kv (l/min)	0.12 ... 0.30
Operating pressure	0 ÷ 3 ... 7 bar
Operating temperature	0°C ÷ 50°C
Media	filtered compressed air, unlubricated, according to ISO 8573-1 class 3.4.3, inert gas
Response time	ON <10 msec - OFF <10 msec
Manual override	monostable button (for 3/2 version only)
Installation	in any position

MATERIALS IN CONTACT WITH THE MEDIUM

Body	PBT technopolymer
Seals	NBR or FKM
Internal parts	stainless steel

ELECTRICAL FEATURES

Voltage	24 V DC - 12 V DC - 6 V DC - other voltages on demand
Voltage tolerance	±10%
Power consumption	1 W
Duty cycle	ED 100%
Electrical connection	connector - thin cables L = 300 mm
Protection class	IP50

Special versions available on demand

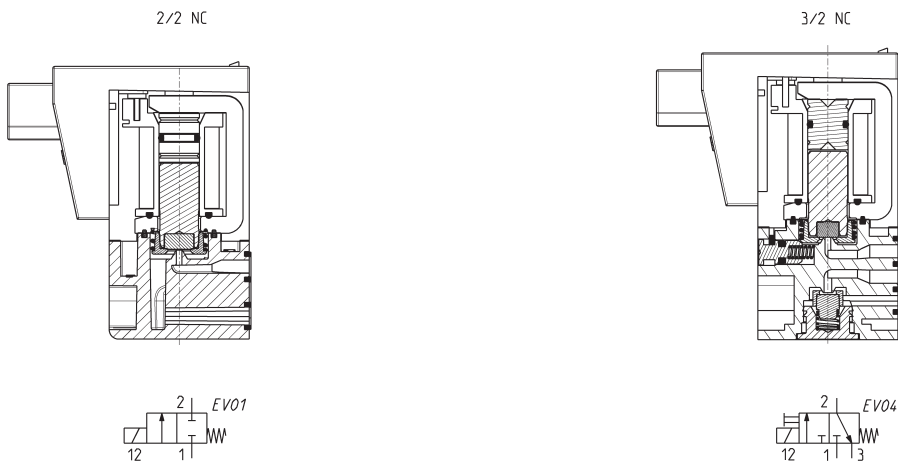
CODING EXAMPLE

K	0	00	-	3	0	3	-	K	2	3	
----------	----------	-----------	----------	----------	----------	----------	----------	----------	----------	----------	--

K	SERIES										
0	BODY DESIGN: 0 = single sub-base (only M5) or interface 1 = manifold										
00	NUMBER OF POSITIONS: 00 = interface 01 = single base (only M5) 02 + 99 = manifold number of positions										
3	NUMBER OF WAYS - FUNCTIONS: 0 = manifold or single base 1 = 2-way NC 1 = 2-way NC electric part revolved by 180° 3 = 3-way NC 5 = 3-way NC electric part revolved by 180° 4 = 3-way NO 6 = 3-way NO electric part revolved by 180°										
0	PORTS: 0 = interface 2 = M5 side outlets										
3	NOMINAL DIAMETER: 2 = Ø 0.6 mm 3 = Ø 0.65 mm 5 = Ø 1.0 mm										
K	MATERIALS: F = PBT body, FKM poppet K = PBT body, HNBR poppet (available for 3/2 version only)										
2	ELECTRICAL CONNECTION: 1 = 90° connection with protection and led 2 = 90° connection with protection 3 = 90° connection B = in-line connection with protection and led C = in-line connection with protection D = in-line connection F = cable (300mm) with protection and led G = cable (300mm) with protection H = cable only (300mm)										
3	SOLENOID VOLTAGE: 1 = 6V DC - 1W 2 = 12V DC - 1W 3 = 24V DC - 1W										
	FIXING: = with screws for mounting on plastics M = with screws for mounting on metal										
	OPTIONS: = standard OX1 = for use with oxygen (non volatile residual less than 550 mg/m ²) OX2 = for use with oxygen (non volatile residual less than 33 mg/m ²)										

SERIES K SOLENOID VALVES

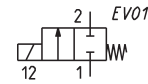
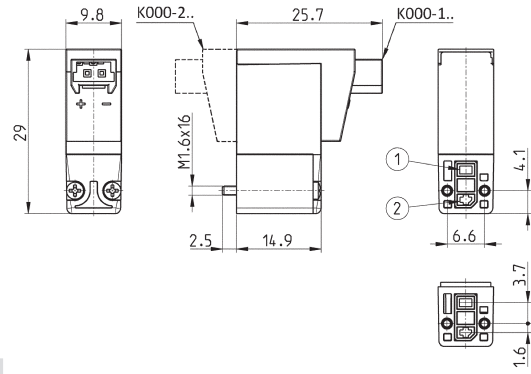
Series K solenoid valve, 2/2- and 3/2-way



2/2-way NC solenoid valve (90° electrical connection)



Supplied with:
1x interface seal
2x screws M1.6x16
(UNI 10227 for mounting on plastics or
UNI 7687 for mounting on metal)



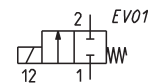
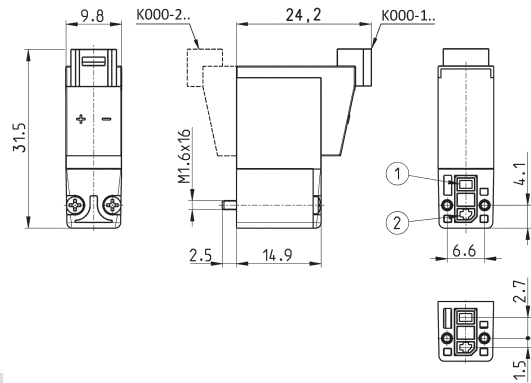
* add VOLTAGE - POWER
CONSUMPTION (see CODING EXAMPLE)

Mod.	Function	Orifice \varnothing (mm)	kv (l/min)	Qn (NL/min)	Min÷max pressure (bar)
K000-102-F1*	2/2 NC	0.6	0.15	10	0 ÷ 7
K000-102-F2*	2/2 NC	0.6	0.15	10	0 ÷ 7
K000-102-F3*	2/2 NC	0.6	0.15	10	0 ÷ 7
K000-105-F1*	2/2 NC	1	0.30	-	0 ÷ 3
K000-105-F2*	2/2 NC	1	0.30	-	0 ÷ 3
K000-105-F3*	2/2 NC	1	0.30	-	0 ÷ 3

2/2-way NC solenoid valve (in-line electrical connection)



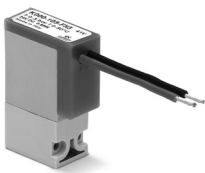
Supplied with:
1x interface seal
2x screws M1.6x16
(UNI 10227 for mounting on plastics or
UNI 7687 for mounting on metal)



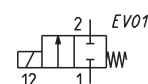
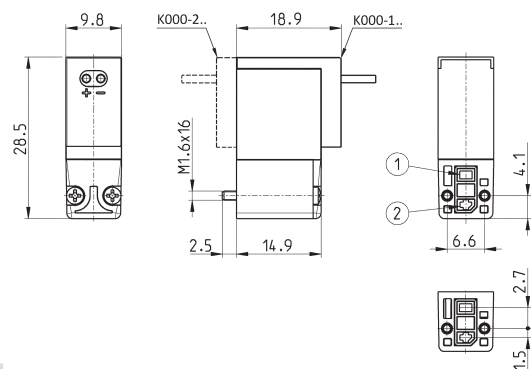
* add VOLTAGE - POWER
CONSUMPTION (see CODING EXAMPLE)

Mod.	Function	Orifice \varnothing (mm)	kv (l/min)	Qn (NL/min)	Min÷max pressure (bar)
K000-102-FB*	2/2 NC	0.6	0.15	10	0 ÷ 7
K000-102-FC*	2/2 NC	0.6	0.15	10	0 ÷ 7
K000-102-FD*	2/2 NC	0.6	0.15	10	0 ÷ 7
K000-105-FB*	2/2 NC	1	0.30	-	0 ÷ 3
K000-105-FC*	2/2 NC	1	0.30	-	0 ÷ 3
K000-105-FD*	2/2 NC	1	0.30	-	0 ÷ 3

2/2-way NC solenoid valve (with cable 300 mm)



Supplied with:
1x interface seal
2x screws M1.6x16
(UNI 10227 for mounting on plastics or
UNI 7687 for mounting on metal)



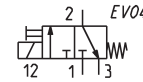
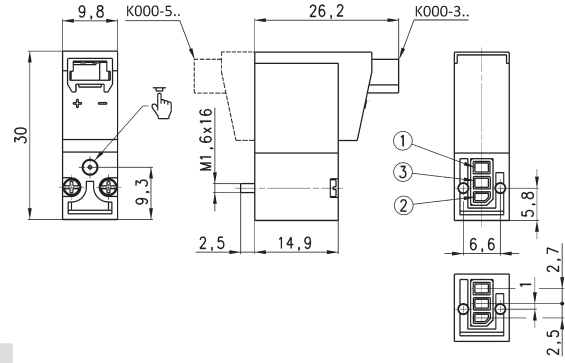
* add VOLTAGE - POWER
CONSUMPTION (see CODING EXAMPLE)

Mod.	Function	Orifice \varnothing (mm)	kv (l/min)	Qn (NL/min)	Min÷max pressure (bar)
K000-102-FF*	2/2 NC	0.6	0.15	10	0 ÷ 7
K000-102-FG*	2/2 NC	0.6	0.15	10	0 ÷ 7
K000-102-FH*	2/2 NC	0.6	0.15	10	0 ÷ 7
K000-105-FF*	2/2 NC	1	0.30	-	0 ÷ 3
K000-105-FG*	2/2 NC	1	0.30	-	0 ÷ 3
K000-105-FH*	2/2 NC	1	0.30	-	0 ÷ 3

3/2-way NC solenoid valve (90° electrical connection)



Supplied with:
1x interface seal
2x screws M1.6x16
(UNI 10227 for mounting on plastics or
UNI 7687 for mounting on metal)



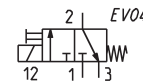
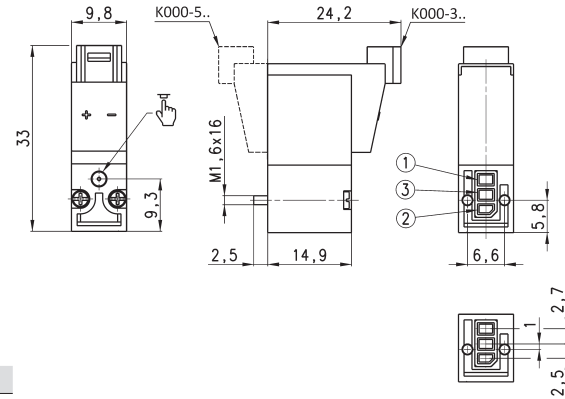
* add VOLTAGE - POWER
CONSUMPTION (see CODING EXAMPLE)

Mod.	Function	Orifice \varnothing (mm)	kv (l/min)	Qn (NL/min)	Min÷max pressure (bar)
K000-303-K1*	3/2 NC	0.6	0.12	8	0 ÷ 7
K000-303-F1*	3/2 NC	0.6	0.12	8	0 ÷ 7
K000-303-K2*	3/2 NC	0.6	0.12	8	0 ÷ 7
K000-303-F2*	3/2 NC	0.6	0.12	8	0 ÷ 7
K000-303-K3*	3/2 NC	0.6	0.12	8	0 ÷ 7
K000-303-F3*	3/2 NC	0.6	0.12	8	0 ÷ 7

3/2-way NC solenoid valve (in-line electrical connection)



Supplied with:
1x interface seal
2x screws M1.6x16
(UNI 10227 for mounting on plastics or
UNI 7687 for mounting on metal)



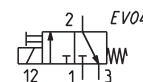
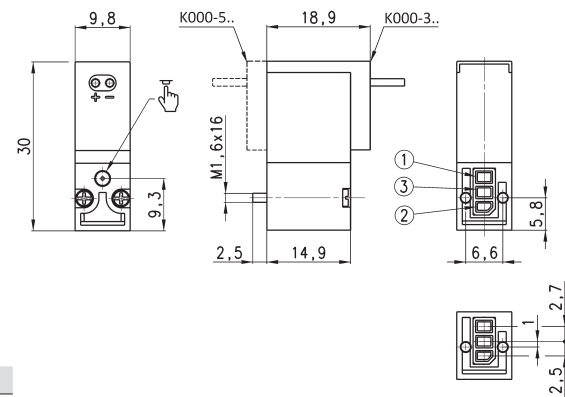
* add VOLTAGE - POWER
CONSUMPTION (see CODING EXAMPLE)

Mod.	Function	Orifice \varnothing (mm)	kv (l/min)	Qn (NL/min)	Min÷max pressure (bar)
K000-303-KB*	3/2 NC	0.6	0.12	8	0 ÷ 7
K000-303-FB*	3/2 NC	0.6	0.12	8	0 ÷ 7
K000-303-KC*	3/2 NC	0.6	0.12	8	0 ÷ 7
K000-303-FC*	3/2 NC	0.6	0.12	8	0 ÷ 7
K000-303-KD*	3/2 NC	0.6	0.12	8	0 ÷ 7
K000-303-FD*	3/2 NC	0.6	0.12	8	0 ÷ 7

3/2-way NC solenoid valve (with cable 300 mm)



Supplied with:
1x interface seal
2x screws M1.6x16
(UNI 10227 for mounting on plastics or
UNI 7687 for mounting on metal)



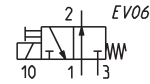
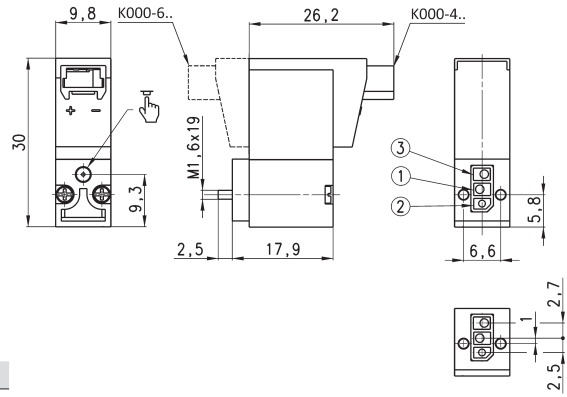
* add VOLTAGE - POWER
CONSUMPTION (see CODING EXAMPLE)

Mod.	Function	Orifice \varnothing (mm)	kv (l/min)	Qn (NL/min)	Min÷max pressure (bar)
K000-303-KF*	3/2 NC	0.6	0.12	8	0 ÷ 7
K000-303-FF*	3/2 NC	0.6	0.12	8	0 ÷ 7
K000-303-KG*	3/2 NC	0.6	0.12	8	0 ÷ 7
K000-303-FG*	3/2 NC	0.6	0.12	8	0 ÷ 7
K000-303-KH*	3/2 NC	0.6	0.12	8	0 ÷ 7
K000-303-FH*	3/2 NC	0.6	0.12	8	0 ÷ 7

3/2-way NO solenoid valve (90° electrical connection)



Supplied with:
 1x interface for NO version
 (connections 1 and 3 are inverted)
 2x interface seals for NO version
 2x screws M1.6x19
 (UNI 10227 for mounting on plastics or
 UNI 7687 for mounting on metal)
 If no interface is needed, use screws M1.6x16 Mod.
 K303/61 for plastics or K303/61M for metal.



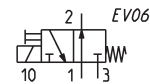
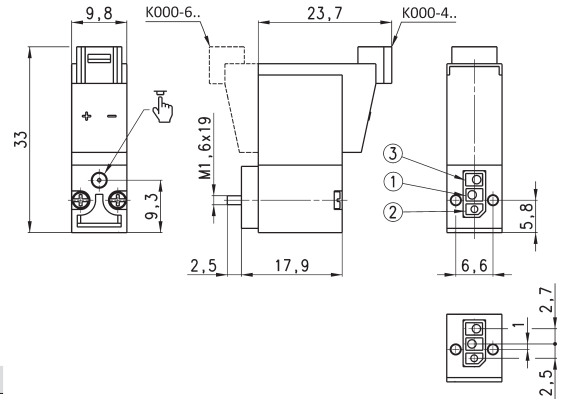
* add VOLTAGE - POWER
 CONSUMPTION (see CODING EXAMPLE)

Mod.	Function	Orifice \varnothing (mm)	kv (l/min)	Qn (NL/min)	Min+max pressure (bar)
K000-403-K1*	3/2 NO	0.8	0.20	-	0 + 5
K000-403-F1*	3/2 NO	0.8	0.20	-	0 + 5
K000-403-K2*	3/2 NO	0.8	0.20	-	0 + 5
K000-403-F2*	3/2 NO	0.8	0.20	-	0 + 5
K000-403-K3*	3/2 NO	0.8	0.20	-	0 + 5
K000-403-F3*	3/2 NO	0.8	0.20	-	0 + 5

3/2-way NO solenoid valve (in-line electrical connection)



Supplied with:
 1x interface for NO version
 (connections 1 and 3 are inverted)
 2x interface seals for NO version
 2x screws M1.6x19
 (UNI 10227 for mounting on plastics or
 UNI 7687 for mounting on metal)
 If no interface is needed, use screws M1.6x16 Mod.
 K303/61 for plastics or K303/61M for metal.



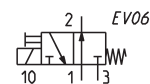
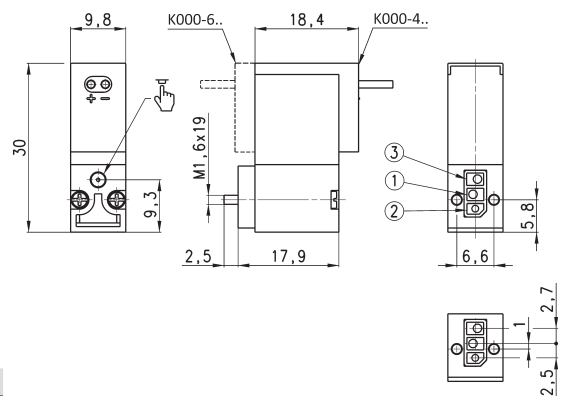
* add VOLTAGE - POWER
 CONSUMPTION (see CODING EXAMPLE)

Mod.	Function	Orifice \varnothing (mm)	kv (l/min)	Qn (NL/min)	Min+max pressure (bar)
K000-403-KB*	3/2 NO	0.8	0.20	-	0 + 5
K000-403-FB*	3/2 NO	0.8	0.20	-	0 + 5
K000-403-KC*	3/2 NO	0.8	0.20	-	0 + 5
K000-403-FC*	3/2 NO	0.8	0.20	-	0 + 5
K000-403-KD*	3/2 NO	0.8	0.20	-	0 + 5
K000-403-FD*	3/2 NO	0.8	0.20	-	0 + 5

3/2-way NO solenoid valve (with cable 300 mm)



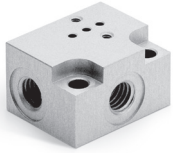
Supplied with:
 1x interface for NO version
 (connections 1 and 3 are inverted)
 2x interface seals for NO version
 2x screws M1.6x19
 (UNI 10227 for mounting on plastics or
 UNI 7687 for mounting on metal)
 If no interface is needed, use screws M1.6x16 Mod.
 K303/61 for plastics or K303/61M for metal.



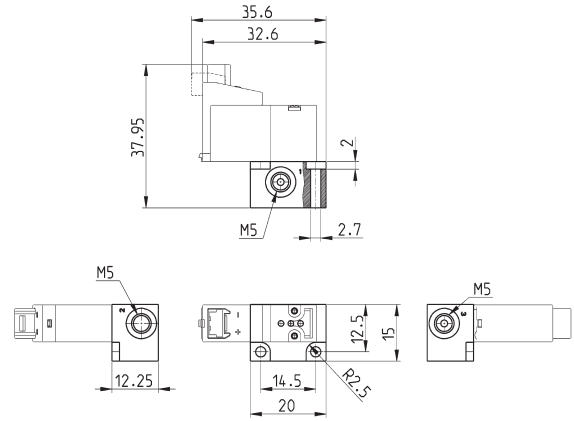
* add VOLTAGE - POWER
 CONSUMPTION (see CODING EXAMPLE)

Mod.	Function	Orifice \varnothing (mm)	kv (l/min)	Qn (NL/min)	Min+max pressure (bar)
K000-403-KF*	3/2 NO	0.8	0.20	-	0 + 5
K000-403-FF*	3/2 NO	0.8	0.20	-	0 + 5
K000-403-KG*	3/2 NO	0.8	0.20	-	0 + 5
K000-403-FG*	3/2 NO	0.8	0.20	-	0 + 5
K000-403-KH*	3/2 NO	0.8	0.20	-	0 + 5
K000-403-FH*	3/2 NO	0.8	0.20	-	0 + 5

Single sub-base



Note: use solenoid valves with mounting screws on metal interfaces (see codification).



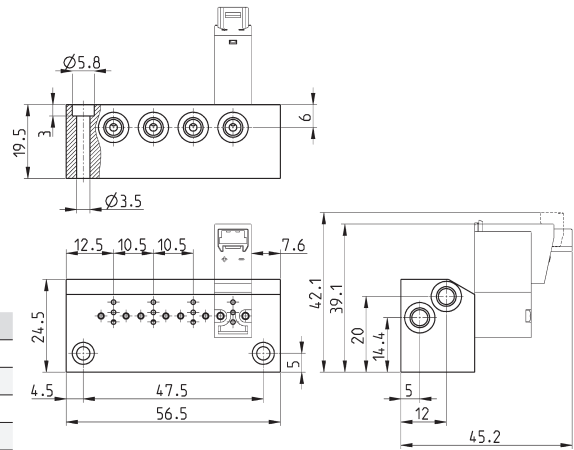
Mod.	
K001-02	

Manifold Mod. K1**-02



** Number of positions
With side outlets and conveyed inlet and exhaust.

Note: use solenoid valves with mounting screws on metal interfaces (see codification).

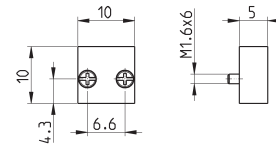


Mod.	A	B	Number of ports
K102-02	35.5	26.5	2
K103-02	46	37	3
K104-02	56.5	47.5	4
K105-02	67	58	5
K106-02	77.5	68.5	6
K107-02	88	79	7
K108-02	98.5	89.5	8
K109-02	109	100	9
K110-02	119.5	110.5	10

Excluder tap

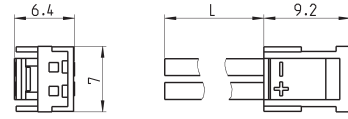


Supplied with:
1x excluder tap
1x interface seal
2x screws M1.6x6 UNI 7687 (mounting on metal)



Mod.	
K000-TP	

Connector Mod. 121-8..



Mod.	description	colour	L = cable length (mm)	cable holding
121-803	crimped cable	black	300	crimping
121-806	crimped cable	black	600	crimping
121-810	crimped cable	black	1000	crimping
121-830	crimped cable	black	3000	crimping