

# Series K8B indirect acting solenoid valves

2/2-way - Normally Closed (NC) and Normally Open (NO)

3/2-way - Normally Closed (NC) and Normally Open (NO)



- » Compact design
- » High flow
- » Manifold mounting
- » Long life

Thanks to their low power consumption and light weight Series K8B solenoid valves are particularly suitable for use with portable equipment too.

Series K8B indirect acting solenoid valves represent the evolution of Series K8 which has been equipped with a flow amplifier. Their particular design makes these valves ideal for use in applications requiring very compact solutions and high flow.

## GENERAL DATA

### TECHNICAL FEATURES

Function	2/2 NC - 2/2 NO - 3/2 NC - 3/2 NO
Operation	indirect acting poppet type
Pneumatic connections	cartridge seat in manifold - M7 threads - on subbase
Orifice diameter	3.6 mm
Flow coefficient kv (l/min)	2.8
Operating pressure	1 ÷ 7 bar
Operating temperature	0 ÷ 50 °C
Media	filtered compressed air, unlubricated, according to ISO 8573-1:2010, class [3:4:3], inert gas
Response time (ISO 12238)	ON <15 ms - OFF <15 ms
Installation	in any position

### MATERIALS IN CONTACT WITH THE MEDIUM

Body	brass - stainless steel - PBT - aluminium
Seals	FKM
Internal parts	stainless steel - enamelled copper

### ELECTRICAL FEATURES

Voltage	3 ... 24 V DC - other voltages on demand
Voltage tolerance	±10%
Power consumption	0.6 W
Duty cycle	ED 100%
Electrical connection	2 pins 0.5 x 0.5 pitch 4 mm - JST connector with 300 mm flying leads
Protection class	IP00

### Special versions available on demand

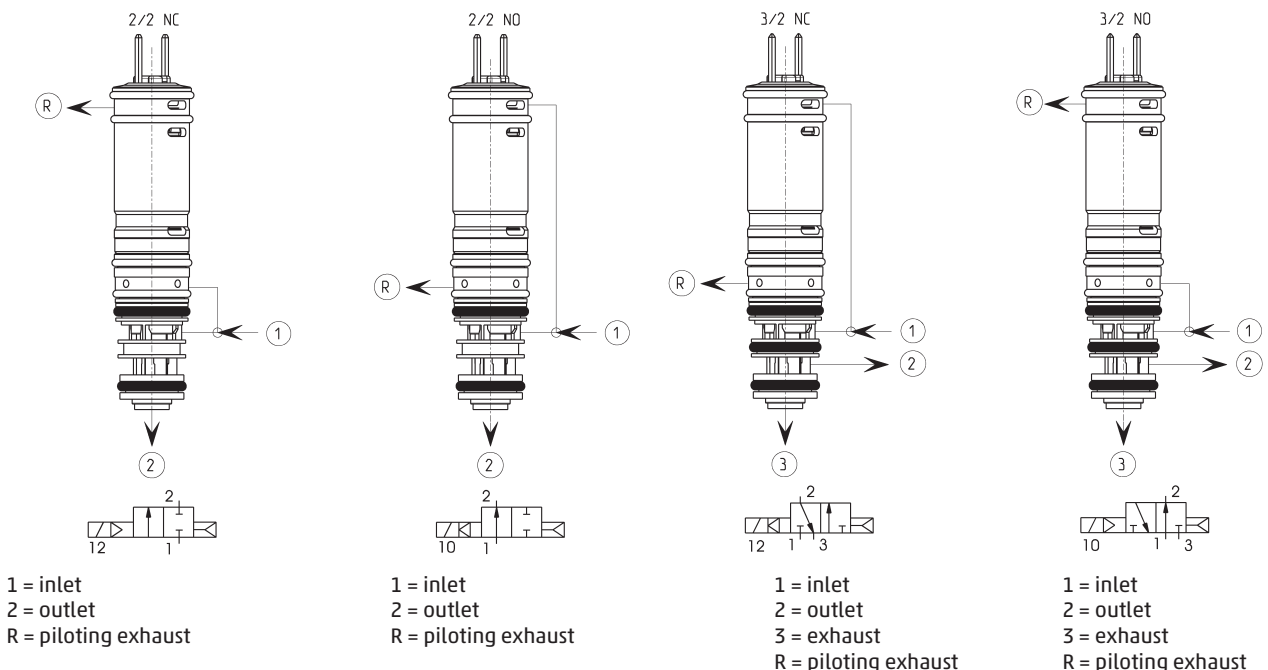
**CODING EXAMPLE**

<b>K8B</b>	<b>C5</b>	<b>4</b>	<b>00</b>	<b>-</b>	<b>D4</b>	<b>3</b>	<b>2</b>	<b>N</b>	<b>-</b>	<b>N</b>	<b>00</b>	<b>1A</b>	<b>C003</b>
------------	-----------	----------	-----------	----------	-----------	----------	----------	----------	----------	----------	-----------	-----------	-------------

<b>K8B</b>	SERIES
<b>C5</b>	BODY DESIGN C0 = valve with aluminium body flanged connections C3 = valve with aluminium body threaded connections C5 = cartridge valve without body
<b>4</b>	NUMBER OF WAYS - FUNCTIONS 1 = 2/2-way - NC 2 = 2/2-way - NO 4 = 3/2-way - NC 5 = 3/2-way - NO
<b>00</b>	PNEUMATIC CONNECTIONS 00 = cartridge seat in manifold 03 = M7 thread 18 = 2/2-way K8B-type interface 19 = 3/2-way K8B-type interface
<b>D4</b>	ORIFICE DIAMETER D4 = Ø 3.6mm
<b>3</b>	SEALS MATERIALS 3 = FKM
<b>2</b>	MATERIALS 1 = stainless steel - brass - aluminium (valve with body version) 2 = stainless steel - brass (cartridge version)
<b>N</b>	MANUAL OVERRIDE N = not foreseen
<b>N</b>	FIXING N = not foreseen P = screws for plastics M = screws for metal
<b>00</b>	OPTION 00 = no option
<b>1A</b>	ELECTRICAL CONNECTION 1A = pins - pitch 4 mm 1B = JST connector with 300 mm flying leads
<b>C003</b>	VOLTAGE - POWER CONSUMPTION C001 = 6 V DC (0.6 W) C002 = 12 V DC (0.6 W) C003 = 24 V DC (0.6 W)
	OPTIONS: = standard OX1 = for use with oxygen (non volatile residual less than 550 mg/m <sup>3</sup> )

SERIES K8B SOLENOID VALVES

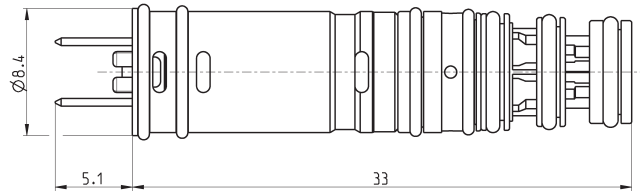
**AVAILABLE FUNCTIONS**



### Solenoid valve Series K8B - cartridge version



\* add  
- VOLTAGE  
(see CODING EXAMPLE)

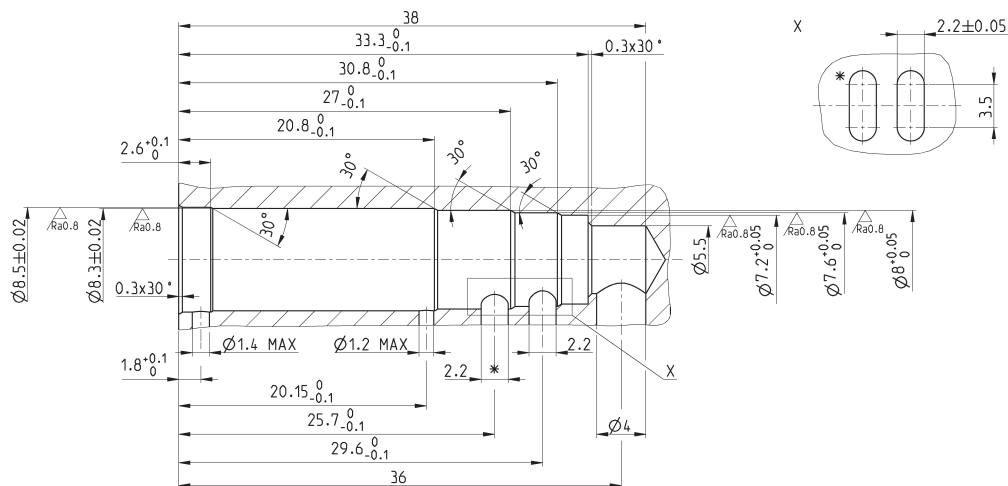


Mod.	Function	Orifice Ø (mm)	kv (l/min)	Min÷max pressure (bar)
K8BC5100-D432N-N001A*	2/2 NC	3.6	2.8	1÷7
K8BC5200-D432N-N001A*	2/2 NO	3.6	2.8	1÷7
K8BC5400-D432N-N001A*	3/2 NC	3.6	2.8	1÷7
K8BC5500-D432N-N001A*	3/2 NO	3.6	2.8	1÷7

### Series K8B - seat dimensions cartridge version

To achieve the declared flow rate it is necessary to realize the ports with a section of 12.5 mm<sup>2</sup> (equal to a diameter of 4 mm)

\* for the 2/2 version this operation has not to be performed

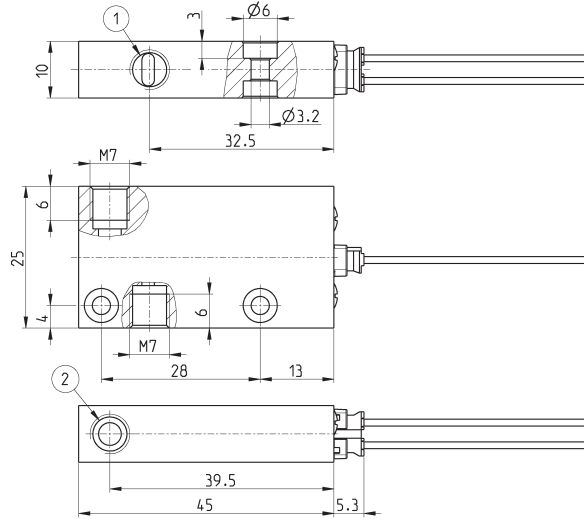
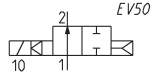
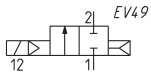


**Series K8B solenoid valve - 2/2-way - threaded ports body version**



Supplied with:  
1x connector with flying leads  
Mod. 120-J803 (300mm)

\* add  
- VOLTAGE  
(see CODING EXAMPLE)



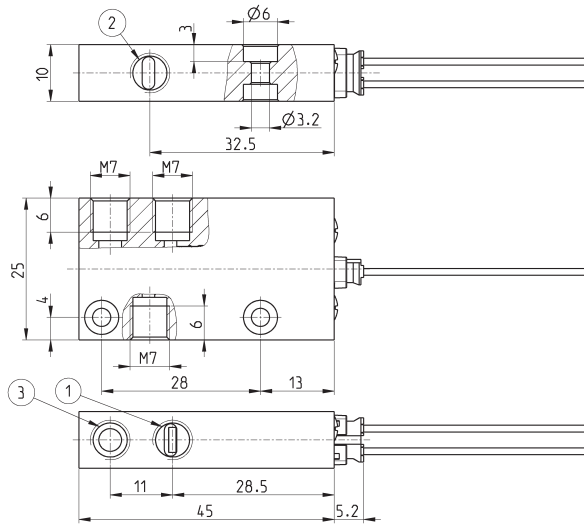
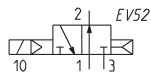
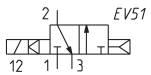
Mod.	Function	Orifice Ø (mm)	kv (l/min)	Min÷max pressure (bar)
K8BC3103-D431N-N001B*	2/2 NC	3.6	2.8	1÷7
K8BC3203-D431N-N001B*	2/2 NO	3.6	2.8	1÷7

**Series K8B solenoid valve - 3/2-way - threaded ports body version**



Supplied with:  
1x connector with flying leads  
Mod. 120-J803 (300mm)

\* add  
- VOLTAGE  
(see CODING EXAMPLE)



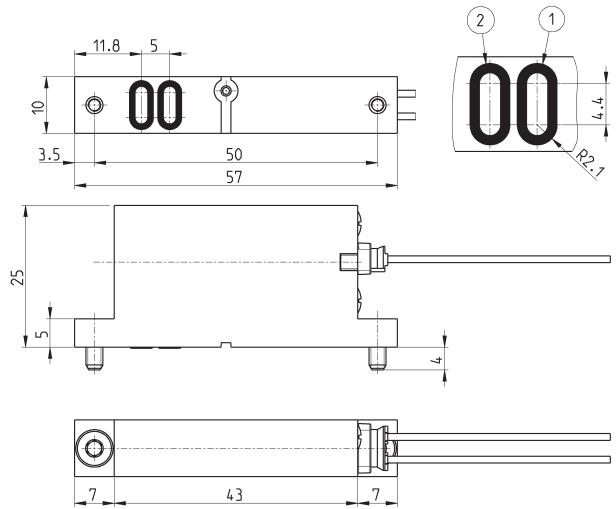
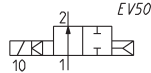
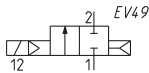
Mod.	Function	Orifice Ø (mm)	kv (l/min)	Min÷max pressure (bar)
K8BC3403-D431N-N001B*	3/2 NC	3.6	2.8	1÷7
K8BC3503-D431N-N001B*	3/2 NO	3.6	2.8	1÷7

### Series K8B solenoid valve - 2/2-way - flanged body version



Supplied with:  
 1x connector with flying leads  
 Mod. 120-J803 (300mm)  
 2x interface seals  
 2x M3x6 screws for mounting on metal  
 or  
 2x Ø3x6 screws for mounting on plastic

\* add  
 - FIXING  
 - VOLTAGE  
 (see CODING EXAMPLE)



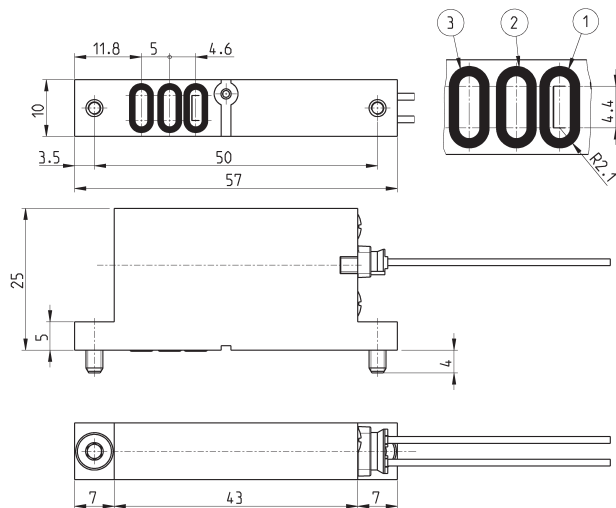
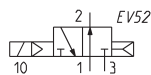
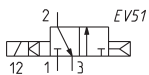
Mod.	Function	Orifice Ø (mm)	kv (l/min)	Min÷max pressure (bar)
K8BC0118-D431N-*001B*	2/2 NC	3,6	2,8	1 ÷ 7
K8BC0218-D431N-*001B*	2/2 NO	3,6	2,8	1 ÷ 7

### Series K8B solenoid valve - 3/2-way - flanged body version



Supplied with:  
 1x connector with flying leads  
 Mod. 120-J803 (300mm)  
 3x interface seals  
 2x M3x6 screws for mounting on metal  
 or  
 2x Ø3x6 screws for mounting on plastic

\* add  
 - FIXING  
 - VOLTAGE  
 (see CODING EXAMPLE)

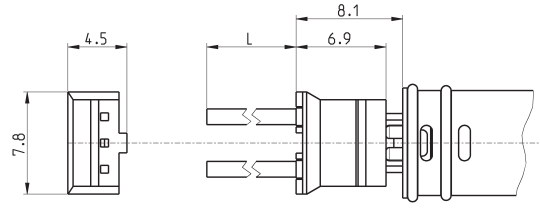


Mod.	Function	Orifice Ø (mm)	kv (l/min)	Min÷max pressure (bar)
K8BC0419-D431N-*001B*	3/2 NC	3,6	2,8	1 ÷ 7
K8BC0519-D431N-*001B*	3/2 NO	3,6	2,8	1 ÷ 7

**Connector with flying leads Mod. 120-J...**



Flying leads section: 0.22 mm<sup>2</sup>  
 Flying lead external diameter: 1.1 mm  
 Material for the flying leads insulation: PVC



SERIES K8B SOLENOID VALVES

Mod.	description	colour	L = cable length (mm)	cable holding
120-J803	crimped cable connector J	white	300	crimping
120-J806	crimped cable connector J	white	600	crimping