

# Series K8DV media separated solenoid valves

2/2-way - Normally Closed (NC)



- » Very compact design and reduced weight
- » High flow performances
- » Very low internal volume
- » Suitable to be applied in medical equipment and analytical instruments

To choose the most suitable model for a specific application, check the chemical compatibility of the medium to control with the available materials of body and seals.

The K8DV solenoid valve was born to meet all the demands to shut off aggressive or heat sensitive fluids. Thanks to a fluid separation membrane, the fluid is isolated from all internal metal parts of the solenoid valve and avoids heating, even if minimum, generated by the solenoid positioned above.

## GENERAL DATA

### TECHNICAL FEATURES

Function	2/2 NC
Operation	direct acting with fluid separation membrane
Pneumatic connections	cartridge seat in manifold - on subbase
Orifice diameter	0.7 mm
Flow efficient kv (l/min)	0.1
Operating pressure	0 ÷ 2.1 bar (FKM/EPDM) / 0 ÷ 1.5 bar (FFKM)
Operating temperature	5 ÷ 50 °C (FKM/EPDM) / 20 ÷ 50 °C (FFKM)
Media	inert or corrosive liquids and gases compatible with the materials in contact
Response time	ON ≤ 10 ms - OFF ≤ 15 ms
Installation	in any position

### MATERIALS IN CONTACT WITH THE MEDIUM

Body	PEEK
Seals	FKM - EPDM - FFKM

### ELECTRICAL FEATURES

Voltage	3 ... 24 V DC - other voltages on demand
Voltage tolerance	±10%
Power consumption	0.6 W
Duty cycle	ED 100%
Electrical connection	2 pins 0.5 x 0.5 pitch 4 mm
Protection class	IP00

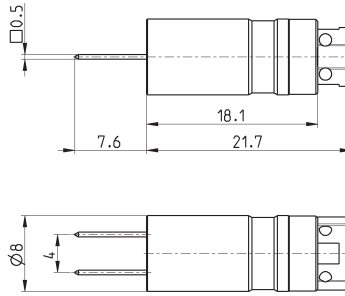
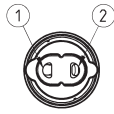
**CODING EXAMPLE**

<b>K8DV</b>	<b>C</b>	<b>00</b>	<b>-</b>	<b>5</b>	<b>0</b>	<b>5</b>	<b>-</b>	<b>G</b>	<b>2</b>	<b>3</b>
-------------	----------	-----------	----------	----------	----------	----------	----------	----------	----------	----------

<b>K8DV</b>	SERIES
<b>C</b>	TYPE OF BODY C = cartridge version 0 = flanged version
<b>00</b>	NUMBER OF POSITIONS 00 = valve without housing
<b>5</b>	NUMBER OF WAYS - FUNCTIONS 5 = 2/2-way - NC
<b>0</b>	SEAL MATERIAL 0 = FKM 4 = EPDM 5 = FFKM
<b>5</b>	ORIFICE DIAMETER 5 = Ø 0.7 mm
<b>G</b>	BODY MATERIAL G = PEEK
<b>2</b>	ELECTRICAL CONNECTION 2 = pins - pitch 4 mm
<b>3</b>	VOLTAGE - POWER CONSUMPTION 1 = 6V DC - 0.6 W 2 = 12V DC - 0.6 W 3 = 24V DC - 0.6 W 4 = 3V DC - 0.6 W 5 = 5V DC - 0.6 W
	OPTIONS: = standard OX1 = for use with oxygen (non volatile residual less than 550 mg/m <sup>2</sup> )

SERIES K8DV SOLENOID VALVES

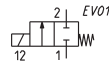
### Series K8DV solenoid valve - cartridge version



DRAWING LEGEND:

1 = inlet  
2 = outlet

\* add  
- VOLTAGE  
(see CODING EXAMPLE)

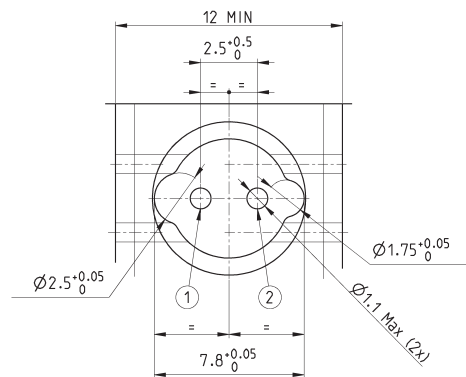
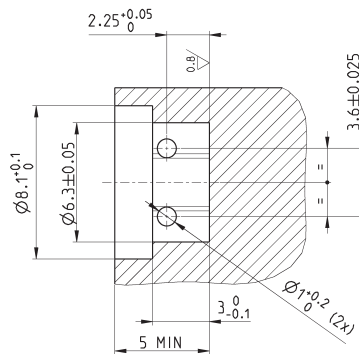


Mod.	Orifice Ø (mm)	kv (l/min)	Min+max pressure (bar)	Body material	Seal material
K8DVC00-505-G2*	0.7	0.1	0 ÷ 2.1	PEEK	FKM
K8DVC00-545-G2*	0.7	0.1	0 ÷ 2.1	PEEK	EPDM
K8DVC00-555-G2*	0.7	0.1	0 ÷ 1.5	PEEK	FFKM

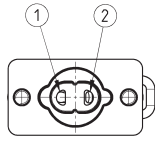
### Series K8DV - seat dimensions cartridge version

DRAWING LEGEND:

1 = inlet  
2 = outlet

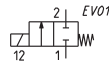
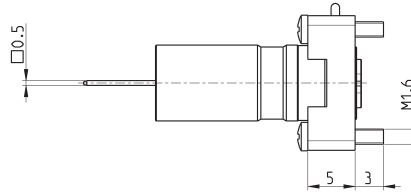
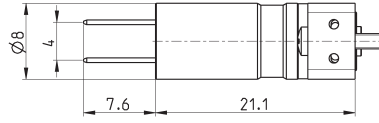


**Serie K8DV solenoid valve - flanged version**



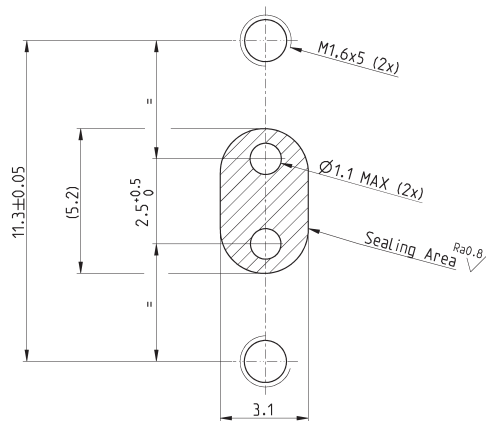
DRAWING LEGEND:  
1 = inlet  
2 = outlet

\* add  
- VOLTAGE  
(see CODING EXAMPLE)



Mod.	Orifice Ø (mm)	kv (l/min)	Min+max pressure (bar)	Body material	Seal material
K8DV000-505-G2*	0.7	0.1	0 ÷ 2.1	PEEK	FKM
K8DV000-545-G2*	0.7	0.1	0 ÷ 2.1	PEEK	EPDM
K8DV000-555-G2*	0.7	0.1	0 ÷ 1.5	PEEK	FFKM

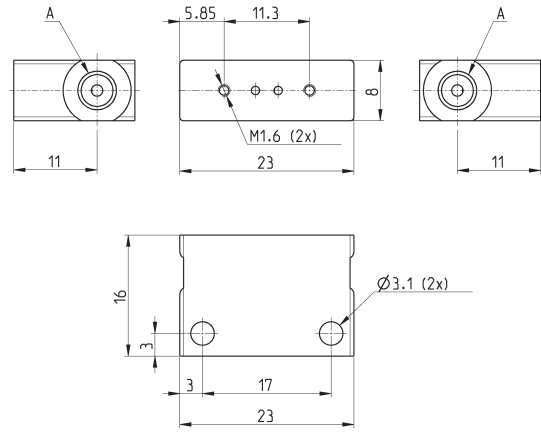
**Series K8DV - seat dimensions flanged version**



**Single sub base for flanged version**



Material: PEEK  
Pneumatic connections: M5 or 1/4-28 UNF threads

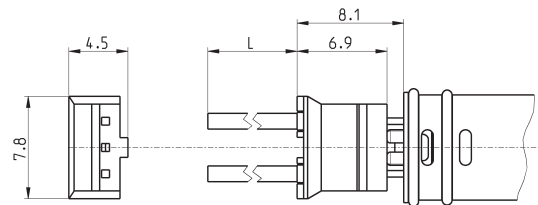


Mod.	Thread A
K8DV0001-1/4	1/4 - 28 UNF
K8DV0001-M5	M5

**Connector with flying leads Mod. 120-J...**



Flying leads section: 0.25 mm<sup>2</sup>  
Flying lead external diameter: 1.2 mm  
Material for the flying leads insulation: PVC

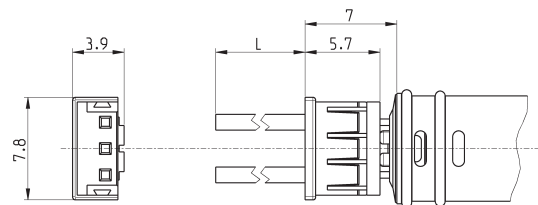


Mod.	description	colour	L = cable length (mm)	cable holding
120-J803	crimped cable connector J	white	300	crimping
120-J806	crimped cable connector J	white	600	crimping

**Connector with flying leads Mod. 120-..**



Cable section: 0.25 mm<sup>2</sup>  
Cable external diameter: 1.2 mm  
Material for the cable insulation: PVC



Mod.	description	colour	L = cable length (mm)	cable holding
120-803	crimped cable	white	300	crimping
120-806	crimped cable	white	600	crimping