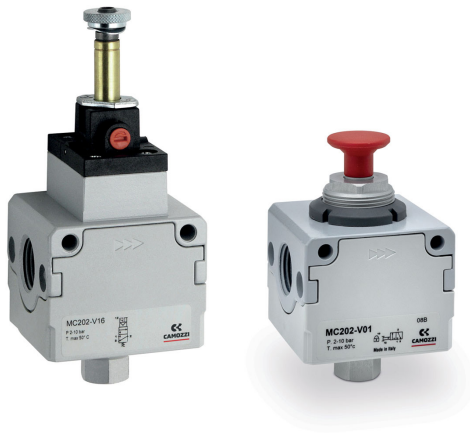


LOCKABLE ISOLATION 3/2-WAY VALVES

SERIES MC

Electropneumatic, pneumatic and manual version
Ports G1/4, G3/8 and G1/2
Modular



- Standard tamperproof lock-out (manual valve)
- Actuation at 24 V, 110 V or 230 V
- Exhaust in atmosphere

The 3-way lockable isolation valves are available in the electropneumatic, pneumatic and manual version and are designed to block the air inlet of the FRL group and so pressurise and depressurise the equipment.

Positioning of these valves is often before the FRL unit. The lockable isolation valves are available with ports G1/4, G3/8 and G1/2 and can be panel mounted.

General Data

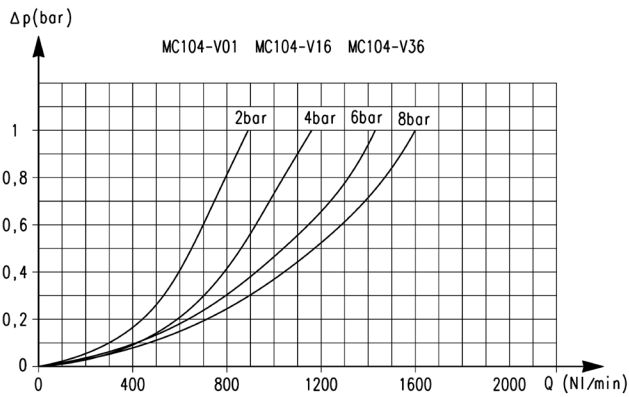
Construction	Modular compact, poppet-type
Materials	Zama, NBR, technopolymer
Ports	G1/4; G3/8; G1/2
Weight	0.277 kg 0.536 kg 0.514 kg
Mounting	In-line, wall or panel mounting (in any position)
Operating temperature	-5°C ÷ 50°C (with the dew point of the fluid lower than 2°C at the min. working temperature)
Finishing	Enamelled
Operating pressure	Manual valve: -0.8 bar ÷ 10 bar Electro-pneumatic valve: 2 bar ÷ 10 bar Pneumatic valve: -0.8 bar ÷ 10 bar (with pilot 2 ÷ 10 bar)
Nominal exhaust flow at 6 bar with Δp = 1 bar	G1/4 = 1080 NL/min G3/8 = 2380 NL/min G1/2 = 2380 NL/min
Nominal flow	See Flow diagrams
Fluid	Compressed air

LOCKABLE ISOLATION 3/2-WAY VALVES
SERIES MC - CODING EXAMPLES

Coding Examples

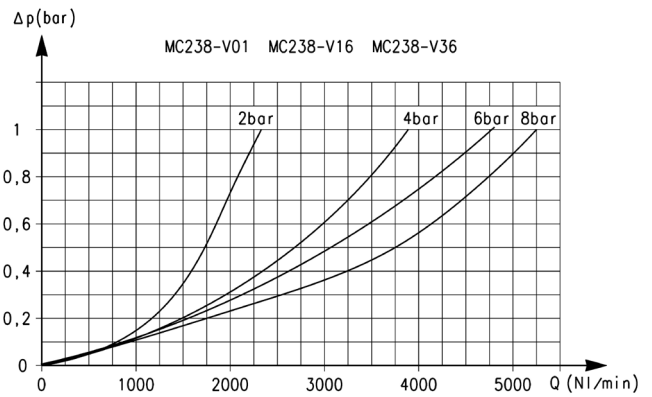
MC	2	02	V	16
MC	SERIES			
2	SIZE 1 = G1/4 2 = G3/8 - G1/2			
02	PORTS 04 = G1/4 38 = G3/8 02 = G1/2			
V	V = 3/2-WAY VALVE			
16	DESIGN TYPE 16 = electropneumatic 36 = pneumatic 01 = padlock valve (manual command)			

Flow diagrams



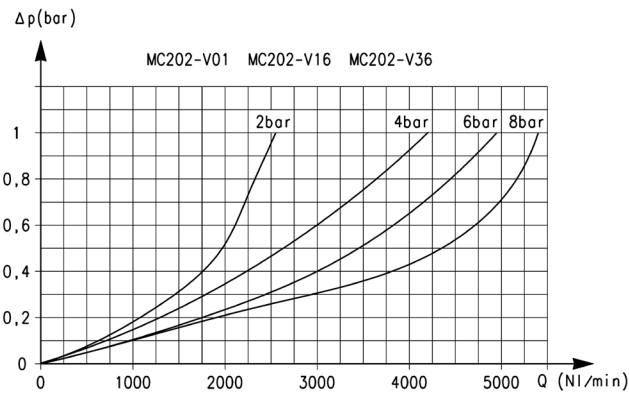
Flow diagram for models:
 MC104-V01
 MC104-V16
 MC104-V36

Δp = Pressure drop (bar)
 Q = Flow (NI/min)



Flow diagram for models:
 MC238-V01
 MC238-V16
 MC238-V36

Δp = Pressure drop (bar)
 Q = Flow (NI/min)



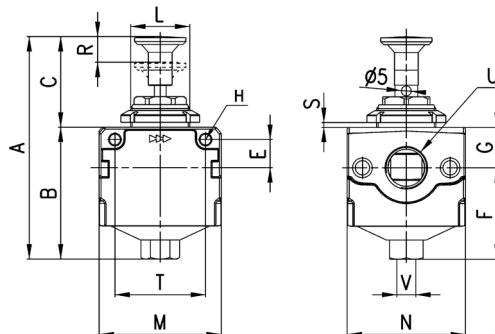
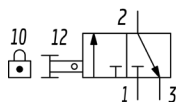
Flow diagram for models:
 MC202-V01
 MC202-V16
 MC202-V36

Δp = Pressure drop (bar)
 Q = Flow (NI/min)

LOCKABLE ISOLATION 3/2-WAY VALVES
SERIES MC - DIMENSIONS
Lockable isolation valves - manual version


Actuating force at 6 bar:

- MC104-V01 = 29N
- MC238-V01 = 31N
- MC202-V01 = 31N



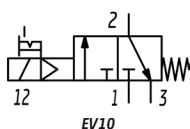
Mod.	A	B	C	E	F	G	H	L	M	N	R	S	T	U	V
MC104-V01	96,5	54,5	42	11	38,5	16	4,5	M30x1,5	45	45	9	0 ÷ 6	35	G1/4	G1/8
MC238-V01	113	67	46	14	46,5	20,5	5,5	M30x1,5	62	60	13	0 ÷ 6	46	G3/8	G1/4
MC202-V01	113	67	46	14	46,5	20,5	5,5	M30x1,5	62	60	13	0 ÷ 6	46	G1/2	G1/4

AIR TREATMENT

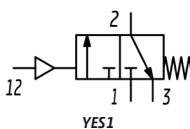
9

Lockable isolation valves - electro-/pneumatic version

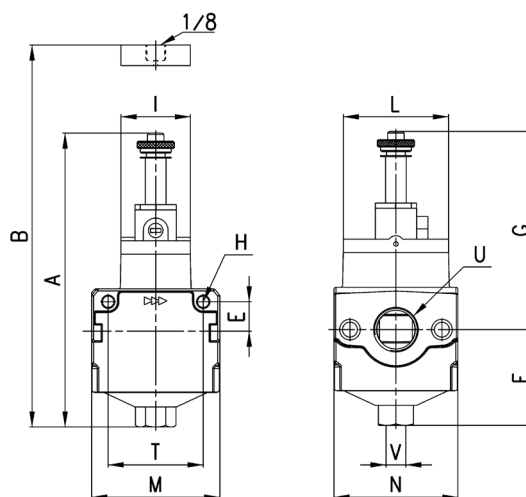
- EV10 = solenoid valve, 3/2 NC, monostable, with bistable manual override
- YES1 = pneumatically operated valve, 3/2, monostable, mechanical spring



EV10



YES1



Mod.	A	B	E	F	G	H	I	L	M	N	T	U	V	Symbol
MC104-V16	120	-	11	38,5	81,5	4,5	22	32	45	45	35	G1/4	G1/8	EV10
MC238-V16	142,5	-	14	46,5	96	5,5	33,5	51	62	60	46	G3/8	G1/4	EV10
MC202-V16	142,5	-	14	46,5	96	5,5	33,5	51	62	60	46	G1/2	G1/4	EV10
MC104-V36	-	77,5	11	38,5	-	4,5	22	32	45	45	35	G1/4	G1/8	VP01
MC238-V36	-	93,5	14	46,5	-	5,5	33,5	51	62	60	46	G3/8	G1/4	VP01
MC202-V36	-	93,5	14	46,5	-	5,5	33,5	51	62	60	46	G1/2	G1/4	VP01

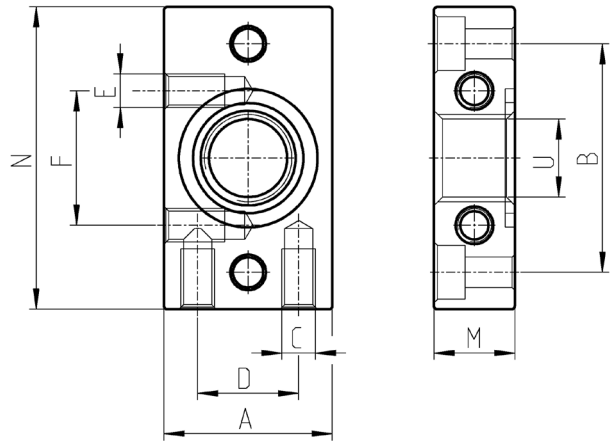
Terminal flanges (Kit A)



Materials:
 painted aluminium flanges,
 zinc-plated steel screws and
 NBR O-ring.

The kit MC104-FL is supplied
 with:
 1x left flange,
 1x right flange;
 4x screws M4x14;
 2x O-Ring 2068.

Each of the kits MC202-FL
 and MC238-FL is supplied
 with:
 1x left flange,
 1x right flange;
 4x screws M5x14;
 2x O-Ring 3100.



Mod.	A	B	C	D	E	F	N	M	U	Size
MC104-FL	25	34	M5	15	M5	20	45	12	G1/4	1
MC238-FL	35	44,5	M5	20	-	-	60	14	G3/8	2
MC202-FL	35	44,5	M5	20	-	-	60	14	G1/2	2

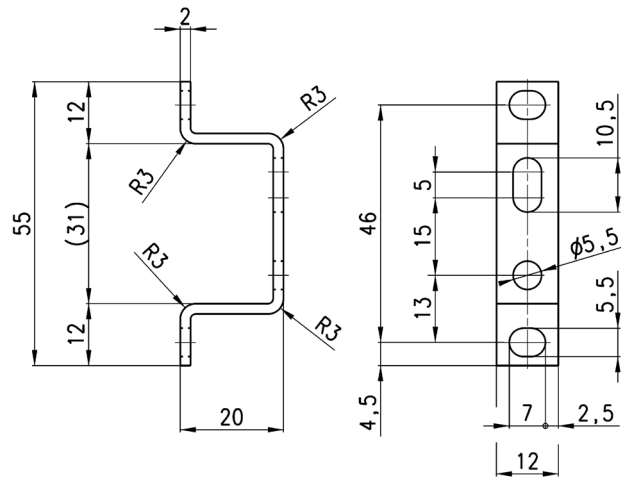
Mounting bracket for (Kit B)



**Mounting bracket for
 terminals 1/4, 3/8, 1/2.**

Materials:
 zinc-plated steel brackets
 and screws.

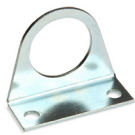
The kit MC104-ST is supplied
 with:
 2x terminal brackets
 4x screws M5x10.



Mod.
MC104-ST

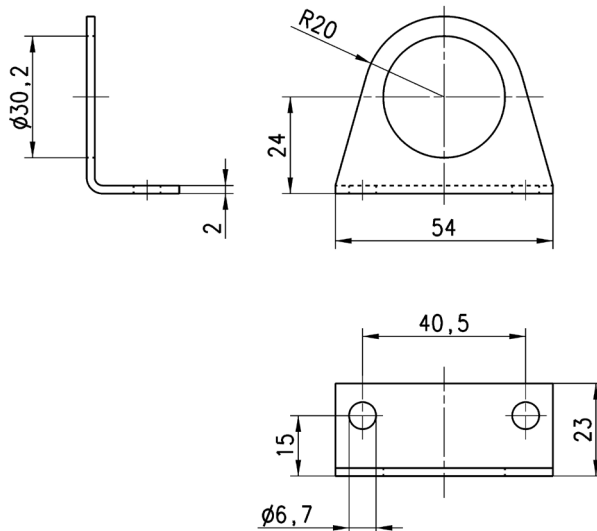
Mounting bracket Mod. C114ST

For regulators and filter-regulators MC1



Material:
zinc-plated steel

Supplied with:
1x bracket



Mod.
C114-ST

AIR TREATMENT

9

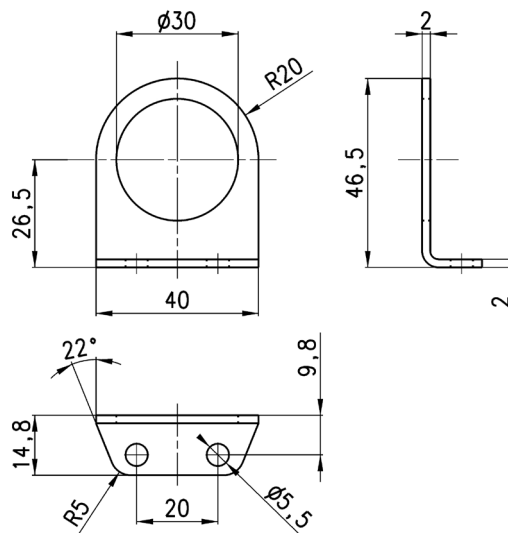
Mounting bracket Mod. 114-ST/1

For regulators and filter-regulators MC1



Material:
zinc-plated steel

Supplied with:
1x bracket



Mod.
C114-ST/1

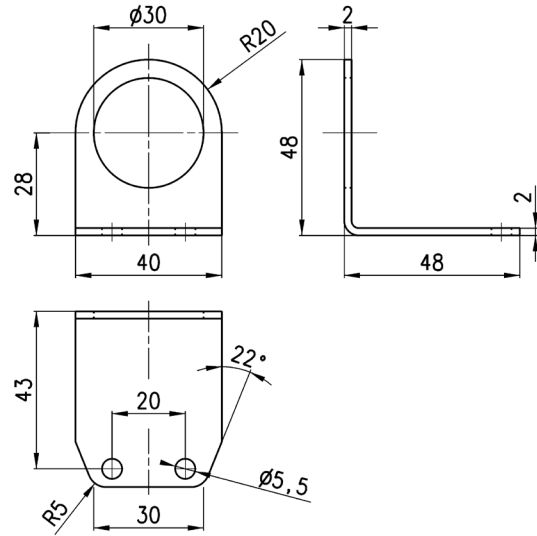
Mounting bracket C114-ST/2

For regulators and filter-regulators MC1



Material:
zinc-plated steel

Supplied with:
1x bracket



Mod.
C114-ST/2

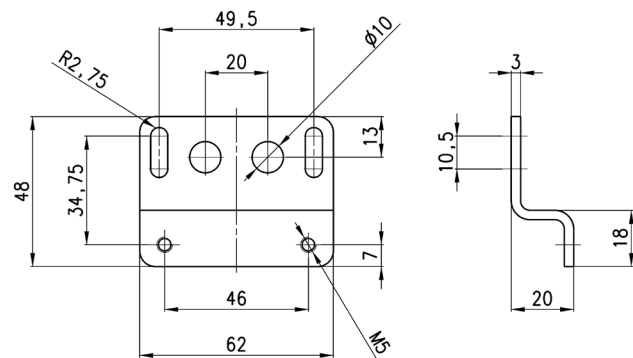
Mounting bracket Mod. C238-ST/1

For MC2



Materials:
zinc-plated steel bracket
and screws.

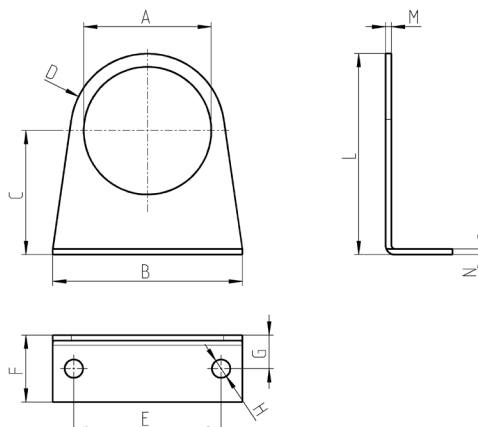
Supplied with:
1x bracket
2x screws M5X6,5.



Mod.
C238-ST/1

Fixing bracket for regulators

For regulators MC2

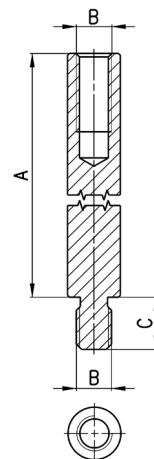

Supplied with:
 1x zinc-plated steel bracket


Mod.	A	B	C	D	E	F	G	H	L	M	N
MX2-S	Ø47,2	73	60,5	R29,5	54	25	15	Ø6,2	90	2,5	2,5

Tie-rods for assembling (Kit C)


Materials:
 nickel-plated steel tie-rods
 and NBR O-ring.

 The kit MC1-TMF is supplied
 with:
 2x male/female tie-rods
 1x O-ring 2068.

 The kit MC2-TMF is supplied
 with:
 2x male/female tie-rods
 1x O-ring 3100.


Mod.	A	B	C	Size
MC1-TMF	45	M4	6	1
MC2-TMF	62	M5	6	2

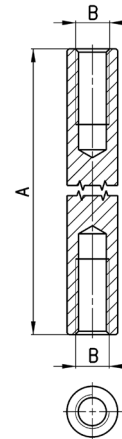
Tie-rods for assembling (Kit D)



Materials:
 nickel-plated steel tie-rods.

The kit MC1-TFF is supplied with:
 2x female tie-rods.

The kit MC2-TFF is supplied with:
 2x female tie-rods.



Mod.	A	B	Size
MC1-TFF	44	M4	1
MC2-TFF	61	M5	2

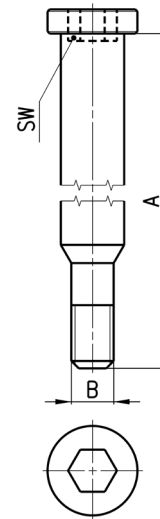
Screws for assembling (Kit E)



Materials:
 zinc-plated steel screws and
 NBR O-ring.

The kit MC1-VM is supplied with:
 2x male screws
 1x O-ring 2068.

The kit MC2-VM is supplied with:
 2x male screws
 1x O-ring 3100.



Mod.	A	B	SW	Size
MC1-VM	48,5	M4	3	1
MC2-VM	65,5	M5	4	2

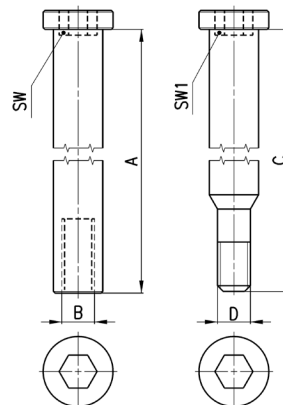
LOCKABLE ISOLATION 3/2-WAY VALVES
SERIES MC - ACCESSORIES
Screws for assembling (Kit F)

Materials:

zinc-plated steel male screws, nickel-plated steel female screws and NBR O-ring.

The kit is supplied with:

- 2x male screws
- 2x female screws
- 1x O-ring (OR 2068 for MC1-VMF; OR 3100 for MC2-VMF).



Mod.	A	B	C	D	SW	SW1	Size
MC1-VMF	42	M4	48,5	M4	3	3	1
MC2-VMF	59	M5	68,5	M5	4	4	2

Screws (Kit G) to assemble 2 bodies type "M"

AIR TREATMENT


Materials:

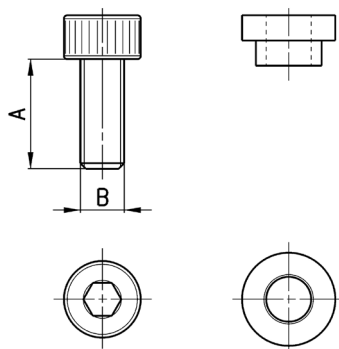
zinc-plated steel screws, brass spacers and NBR O-ring.

The kit MC1-VMD is supplied with:

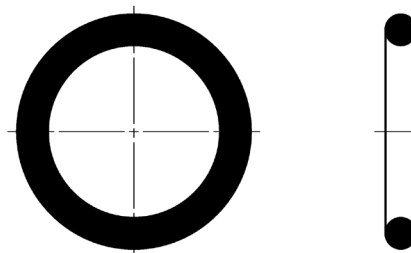
- 4x screws M4X10
- 4x spacers
- 2x O-ring 2068.

The kit MC2-VMD is supplied with:

- 4x screws M5X12
- 4x spacers
- 2x O-ring 3100.



Mod.	A	B	Size
MC1-VMD	10	M4	1
MC2-VMD	12	M5	2

O-ring for assembling


Mod.	O-ring	For assembly
160-39-11/19	OR 3125	MX2
OR 38x2,8 NBR	OR 38x2,8	MX3