

Series MC lubricators

Ports G1/4, G3/8 and G1/2
Modular
with metal bowl and bayonet-type mounting



- » Adjustment screw
- » Check of the oil level through plastic cover openings

Series MC lubricators are available with ports G1/4, G3/8 and G1/2. The bowls of these lubricators are made of metal and are equipped with a transparent viewer. The oil flow can be monitored through the small transparent cap and regulated by means of the proper adjusting screw.

GENERAL DATA

Construction	modular compact
Materials	zama, NBR, technopolymer
Ports	G1/4 G3/8 G1/2
Oil capacity	cm ³ 37 170 170
Weight	kg 0,338 0,712 0,674
Mounting	vertical in-line or wall-mounting
Operating temperature	-5°C ÷ 50°C at 10 bar (with the dew point of the fluid lower than 2°C at the min. working temperature)
Oil refilling	without pressure (G1/4) also during use (G3/8 - G1/2)
Oil for lubrication	use ISO VG32 oils. Once applied, the lubrication should never be interrupted.
Finishing	enamelled
Operating pressure	0 ÷ 16 bar
Min. air consumption for lubr (NL/min)	G1/4 - G3/8 - G1/2
at 1 bar	8 - 8 - 8,5
at 6 bar	15 - 17,5 - 15,5
Nominal flow	see FLOW DIAGRAMS on the following pages
Fluid	compressed air

CODING EXAMPLE

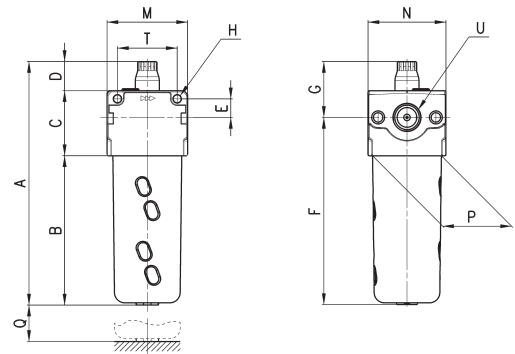
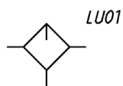
MC	2	02	-	L	00
M	SERIES				
2	SIZE 1 = G1/4 2 = G3/8 - G1/2				
02	PORTS 04 = G1/4 38 = G3/8 02 = G1/2				
L	L = LUBRICATOR				
00	DESIGN TYPE 00 = atomized oil				

SERIES MC LUBRICATORS

Lubricators Series MC

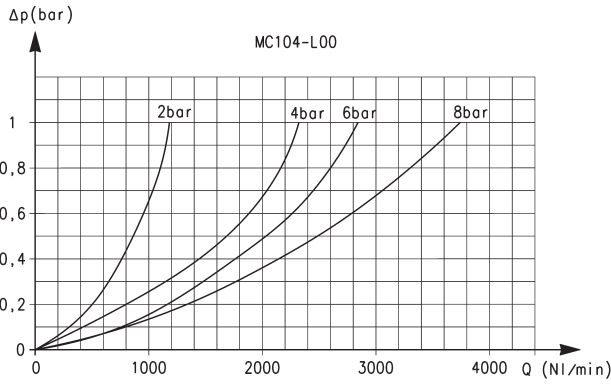


LU0 = Lubricator



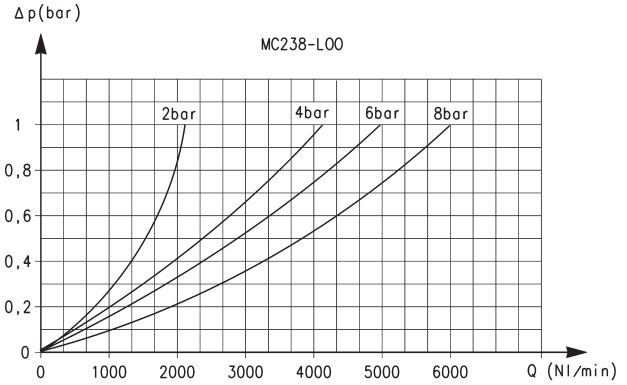
DIMENSIONS															
Mod.	A	B	C	D	E	F	G	H	M	N	P	Q	T	U	
MC104-L00	148	83	40	25	11	107	41	4,5	45	45	37	84	35	G1/4	
MC238-L00	187	115	50	22	14	144	43	5,5	62	60	53	117	46	G3/8	
MC202-L00	187	115	50	22	14	144	43	5,5	62	60	53	117	46	G1/2	

FLOW DIAGRAMS



Flow diagram for model: MC104-L00

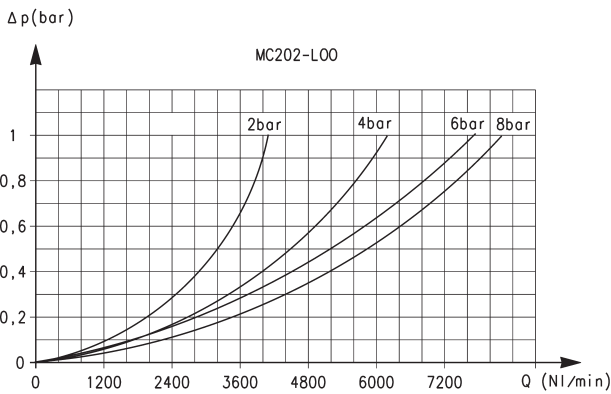
ΔP = Pressure drop (bar)
Q = Flow (NL/min)



Flow diagram for model: MC238-L00

ΔP = Pressure drop (bar)
Q = Flow (NL/min)

FLOW DIAGRAM



Flow diagram for model: MC202-L00

ΔP = Pressure drop (bar)
Q = Flow (NL/min)