

# Series MD lubricators

Ports with interchangeable cartridges: threaded (1/8, 1/4, 3/8) or integrated with super-rapid fitting for tube with Ø 6, 8 and 10 mm

Modular assembly

Bowl with technopolymer cover and bayonet-type mounting



- » Regulation screw
- » Ability to refill the oil even with system under pressure
- » High flow
- » Check of the oil level through plastic cover openings
- » Bowl locking system reducing the risk of accidents
- » Additional air intakes with the same characteristics of the outlet air (line)

The lubricator allows the nebulization of lubricating oil which is necessary to the functioning of components in specific conditions of use.

By means of a regulation screw the amount of oil can be properly adjusted in order to avoid unnecessary overdoses.

## GENERAL DATA

<b>Construction</b>	modular, compact
<b>Materials</b>	see TABLE OF MATERIALS on the following page
<b>Ports</b>	with interchangeable cartridges: 1/8, 1/4 and 3/8 threaded or integrated with super-rapid fitting for tube with Ø 6, 8 and 10 mm
<b>Oil capacity</b>	40 cm <sup>3</sup>
<b>Oil refilling</b>	even during use
<b>Mounting</b>	in vertical position by means of through holes in the body
<b>Operating temperature</b>	-5°C ÷ 50°C up to 16 bar
<b>Oil for lubrication</b>	use ISO VG32 oils. Once applied, the lubrication should never be interrupted.
<b>Operating pressure</b>	0 ÷ 16 bar
<b>Min. air consumption for lubrication at 1 bar</b>	15 Nl/min
<b>Min. air consumption for lubrication at 6 bar</b>	25 Nl/min
<b>Nominal flow</b>	see FLOW DIAGRAMS on the following pages
<b>fluid</b>	compressed air

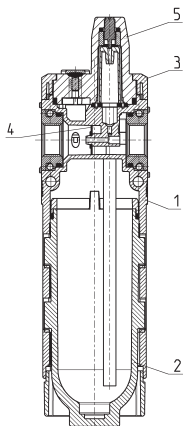
**CODING EXAMPLE**

<b>MD</b>	<b>1</b>	<b>-</b>	<b>L</b>	<b>0</b>	<b>0</b>	<b>-</b>	<b>1/8</b>
-----------	----------	----------	----------	----------	----------	----------	------------

<b>MD</b>	SERIES
<b>1</b>	DIMENSION: 1 = 42 mm
<b>L</b>	LUBRICATOR
<b>00</b>	DESIGN TYPE: 00 = oil mist with refill valve 10 = oil mist without refill valve
<b>1/8</b>	PORTS (IN - OUT)*: = without ports 1/8 = G1/8 1/4 = G1/4 3/8 = G3/8 6 = tube Ø6 8 = tube Ø8 10 = tube Ø10  * NOTE: if the inlet (IN) cartridge is different from the outlet (OUT) cartridge, both dimensions shall be indicated. Example: MD1-L00-1/4-1/8

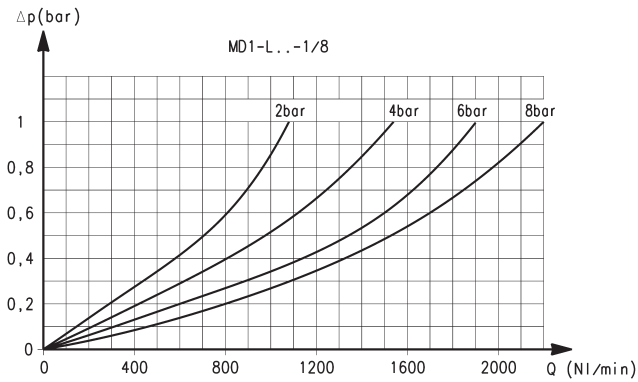
SERIES MD LUBRICATORS

Series MD lubricators - materials



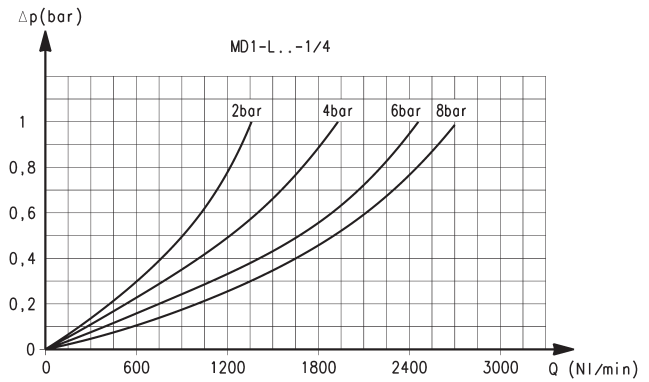
PARTS	MATERIALS
<b>1 = Body</b>	Polyamide
<b>2 = Tank</b>	Polycarbonate
<b>3 = Covering</b>	Polyamide
<b>4 = Diaphragm</b>	NBR
<b>5 = Visual blockage indicator</b>	Polycarbonate
<b>Seals</b>	NBR

**FLOW DIAGRAMS**



Ports with interchangeable 1/8 threaded cartridges

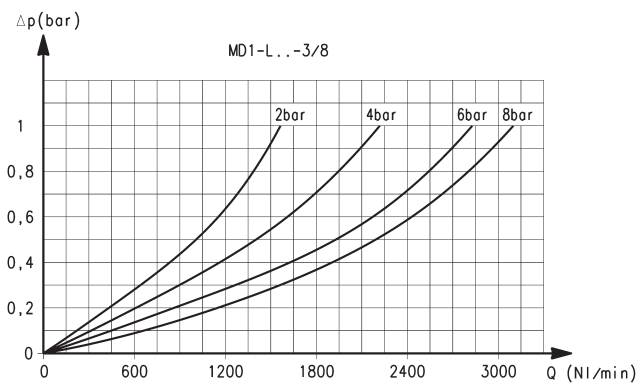
Δp = Pressure drop (bar)  
Q = Flow (NL/min)



Ports with interchangeable 1/4 threaded cartridges

Δp = Pressure drop (bar)  
Q = Flow (NL/min)

**FLOW DIAGRAM**



Ports with interchangeable 3/8 threaded cartridges

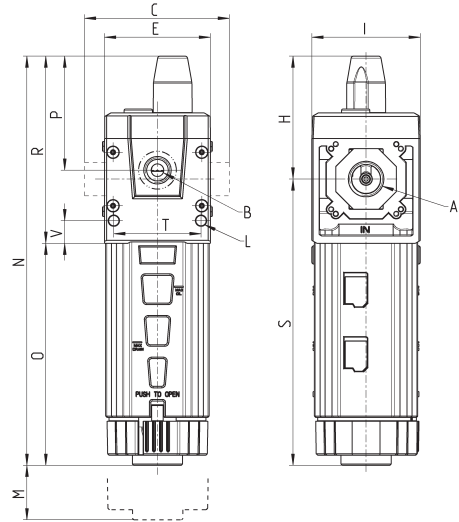
Δp = Pressure drop (bar)  
Q = Flow (NL/min)

**Series MD lubricators - dimensions**



LU0 = Lubricator

LU01



DIMENSIONS																
Mod.	A	B	C	E	H	I	L	M	N	O	P	R	S	T	V	Weight (Kg)
<b>MD1-L00</b>	-	G1/8	42	42	48.7	43	Ø4	75	162.2	88	45.2	74.2	113.5	34.6	9	0.2
<b>MD1-L00-1/8</b>	G1/8	G1/8	42	42	48.7	43	Ø4	75	162.2	88	45.2	74.2	113.5	34.6	9	0.2
<b>MD1-L00-1/4</b>	G1/4	G1/8	42	42	48.7	43	Ø4	75	162.2	88	45.2	74.2	113.5	34.6	9	0.2
<b>MD1-L00-3/8</b>	G3/8	G1/8	42	42	48.7	43	Ø4	75	162.2	88	45.2	74.2	113.5	34.6	9	0.2
<b>MD1-L00-6</b>	Ø6	G1/8	47	42	48.7	43	Ø4	75	162.2	88	45.2	74.2	113.5	34.6	9	0.2
<b>MD1-L00-8</b>	Ø8	G1/8	62	42	48.7	43	Ø4	75	162.2	88	45.2	74.2	113.5	34.6	9	0.2
<b>MD1-L00-10</b>	Ø10	G1/8	67	42	48.7	43	Ø4	75	162.2	88	45.2	74.2	113.5	34.6	9	0.2