

# Series MX lubricators

MX2 ports: G3/8, G1/2, G3/4 - MX3 ports: G3/4, G1  
Modular

Bowl with technopolymer cover and bayonet-type mounting



- » Regulation screw
- » Ability to refill the oil even with system under pressure
- » High flow
- » Check of the oil level through plastic cover openings
- » Bowl locking system reducing the risk of accidents

MX is the new series of air treatment components realized by Camozzi, characterized by a modern, linear and compact design, offering high performances. The perfect integration between metal alloys and technopolymers has allowed the realization of a reliable product, light and strong at the same time. Thanks to a new concept of modularity, moreover, the mounting of components has become easier. These proportional lubricators enable a precision metering.

The Series MX has been realized to offer a multi-sector solution that guarantees saving in terms of installation time, space and costs.

A special configurator, available on Camozzi website at <http://catalogue.camozzi.com> (sec. Configurators), allows the customer to choose the most suitable solution for his application, selecting single components or by configuring assembled FRLs.

## GENERAL DATA

Construction	modular, compact
Materials	see TABLE OF MATERIALS on the following page
Ports	MX2: G3/8 - G1/2 - G3/4 MX3: G3/4 - G1
Oil capacity	MX2: 170 cm <sup>3</sup> MX3: 230 cm <sup>3</sup>
Oil refilling	even during use
Mounting	vertical in-line wall-mounting (by means of clamps)
Operating temperature	-5°C ÷ 50°C up to 16 bar (with the dew point of the fluid lower than 2°C at the min. working temperature) -5°C ÷ 60°C up to 10 bar (with the dew point of the fluid lower than 2°C at the min. working temperature)
Oil for lubrication	use ISO VG32 oils. Once applied, the lubrication should never be interrupted.
Min. air consumption for lubrication at 1 bar	MX2: 17 l/min MX3: 50 l/min
Min. air consumption for lubrication at 6 bar	MX2: 38 l/min MX3: 90 l/min
Nominal flow	see FLOW DIAGRAMS on the following pages

**CODING EXAMPLE**

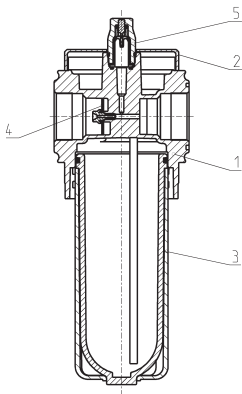
<b>MX</b>	<b>2</b>	<b>-</b>	<b>1/2</b>	<b>-</b>	<b>L</b>	<b>00</b>	<b>-</b>	<b>LH</b>
-----------	----------	----------	------------	----------	----------	-----------	----------	-----------

<b>MX</b>	SERIES
<b>2</b>	SIZE: 2 = G3/8 - G1/2 - G3/4 3 = G3/4 - G1
<b>1/2</b>	PORT: 3/8 = G3/8 1/2 = G1/2 3/4 = G3/4 1 = G1
<b>L</b>	LUBRICATOR
<b>00</b>	DESIGN TYPE: 00 = atomized oil
<b>LH</b>	FLOW DIRECTION: = from left to right (standard) LH = from right to left

SERIES MX LUBRICATORS

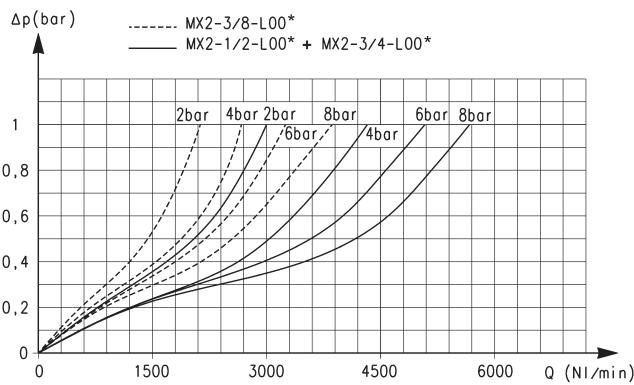
For the assembly of a single component with fixing flanges or wall-mounting, see the section "FRL Series MX Assembled"

**Lubricators Series MX - materials**



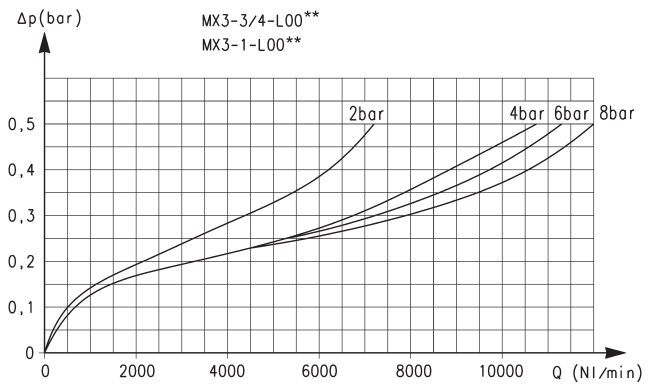
PARTS	MATERIALS
1 = Body	Aluminium
2 = Covering	Polyacetal
3 = Bowl / bowl cover	Polycarbonate/Polyamide
4 = Diaphragm	NBR
5 = Visual indicator	Polyamide
Seals	NBR

**FLOW DIAGRAMS**



Reference diagram for MX2

$\Delta p$  = Pressure drop (bar)  
 $Q$  = Flow (NL/min)



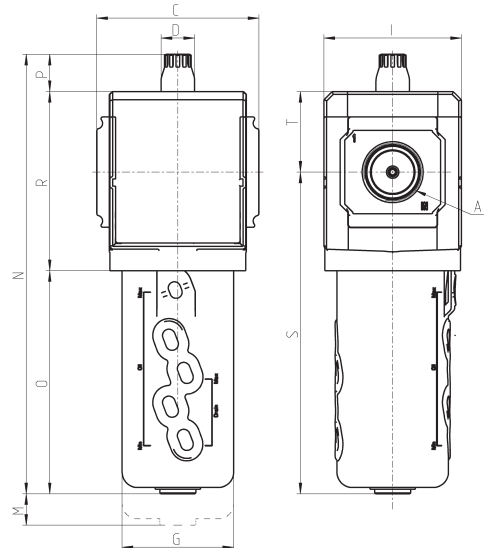
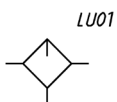
Reference diagram for MX3

$\Delta p$  = Pressure drop (bar)  
 $Q$  = Flow (NL/min)

**Lubricators Series MX - dimensions**



LU0 = lubricator



Mod.	A	C	D	G	I	M	N	O	P	R	S	T	Weight (Kg)
MX2-3/8-L00	G3/8	70	18.5	55.5	68	84.5	210	104.5	20.5	85	152	37.5	0.5
MX2-1/2-L00	G1/2	70	18.5	55.5	68	84.5	210	104.5	20.5	85	152	37.5	0.5
MX2-3/4-L00	G3/4	70	18.5	55.5	68	84.5	210	104.5	20.5	85	152	37.5	0.5
MX3-3/4-L00	G3/4	89.5	18.5	61.5	76	100	243	123	21	99	178	44.5	0.8
MX3-1-L00	G1	89.5	18.5	61.5	76	100	243	123	21	99	178	44.5	0.8