

Series MX lubricators



MX2 ports: G3/8, G1/2, G3/4 - MX3 ports: G3/4, G1
Modular
Bowl with technopolymer cover and bayonet-type mounting



- » Regulation screw
- » Ability to refill the oil even with system under pressure
- » High flow
- » Check of the oil level through plastic cover openings
- » Bowl locking system reducing the risk of accidents
- » Metal bowl also available

MX is the new series of air treatment components realized by Camozzi, characterized by a modern, linear and compact design, offering high performances. The perfect integration between metal alloys and technopolymers has allowed the realization of a reliable product, light and strong at the same time. Thanks to a new concept of modularity, moreover, the mounting of components has become easier. These proportional lubricators enable a precision metering.

The Series MX has been realized to offer a multi-sector solution that guarantees saving in terms of installation time, space and costs.

A special configurator, available on Camozzi website at <http://catalogue.camozzi.com> (sec. Configurators), allows the customer to choose the most suitable solution for his application, selecting single components or by configuring assembled FRLs.

GENERAL DATA

Construction	modular, compact
Materials	see TABLE OF MATERIALS on the following page
Ports	MX2: G3/8 - G1/2 - G3/4 MX3: G3/4 - G1
Oil capacity	MX2: 118 cm ³ MX3: 170 cm ³
Oil refilling	even during use
Mounting	vertical in-line wall-mounting (by means of clamps)
Operating temperature	-5°C ÷ 50°C up to 16 bar (with the dew point of the fluid lower than 2°C at the min. working temperature) -5°C ÷ 60°C up to 10 bar (with the dew point of the fluid lower than 2°C at the min. working temperature)
Oil for lubrication	use ISO VG32 oils. Once applied, the lubrication should never be interrupted.
Operating pressure	0 ÷ 16 bar
Min. air consumption for lubrication at 1 bar	MX2: 17 NL/min MX3: 50 NL/min
Min. air consumption for lubrication at 6 bar	MX2: 38 NL/min MX3: 90 NL/min
Nominal flow	see FLOW DIAGRAMS on the following pages

CODING EXAMPLE

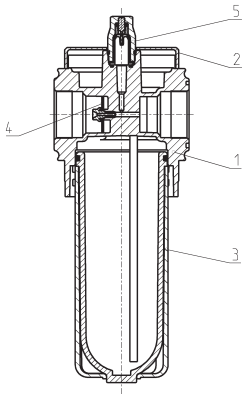
MX	2	-	1/2	-	L	00	M	-	LH
-----------	----------	----------	------------	----------	----------	-----------	----------	----------	-----------

MX	SERIES
2	SIZE: 2 = G3/8 - G1/2 - G3/4 3 = G3/4 - G1
1/2	PORT: 1/2 = G1/2 3/4 = G3/4 1 = G1
L	LUBRICATOR
00	DESIGN TYPE: 00 = atomized oil
M	TYPE OF BOWL: = polymer (standard) M = metal (for MX2-1/2 and MX3-1 only)
LH	FLOW DIRECTION: = from left to right (standard) LH = from right to left

SERIES MX LUBRICATORS

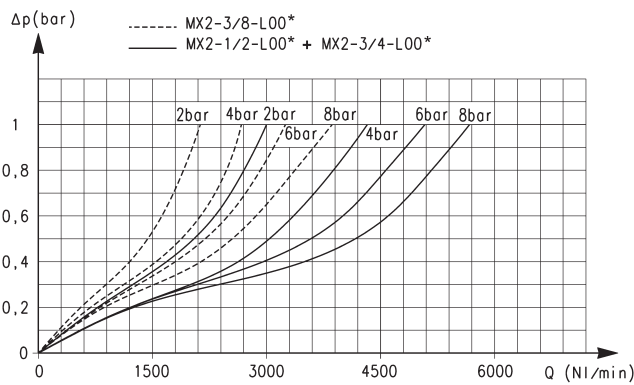
For the assembly of a single component with fixing flanges or wall-mounting, see the section "FRL Series MX Assembled"

Lubricators Series MX - materials



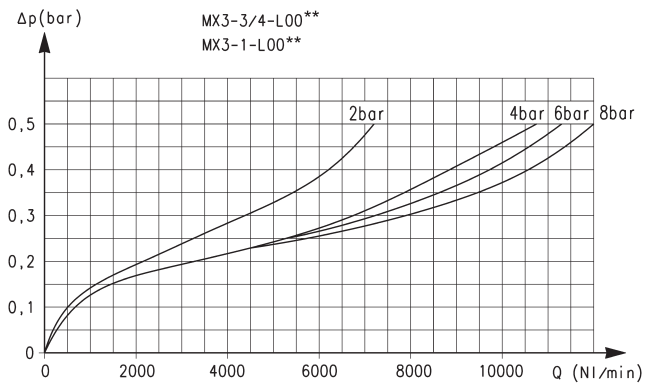
PARTS	MATERIALS
1 = Body	Aluminium
2 = Covering	Polyacetal
3 = Bowl / bowl cover	Polycarbonate/Polyamide/Aluminium
4 = Diaphragm	NBR
5 = Visual indicator	Polyamide
Seals	NBR

FLOW DIAGRAMS



Reference diagram for MX2

Δp = Pressure drop (bar)
 Q = Flow (NL/min)



Reference diagram for MX3

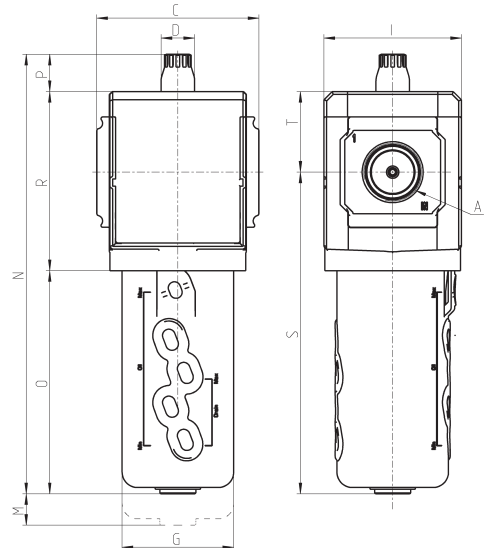
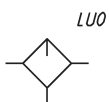
Δp = Pressure drop (bar)
 Q = Flow (NL/min)

SERIES MX LUBRICATORS

Lubricators Series MX - dimensions



LU0 = lubricator



Mod.	A	C	D	G	I	M	N	O	P	R	S	T	Weight (Kg)
MX2-3/8-L00	G3/8	70	18.5	55.5	68	84.5	210	104.5	20.5	85	152	37.5	0.5
MX2-1/2-L00	G1/2	70	18.5	55.5	68	84.5	210	104.5	20.5	85	152	37.5	0.5
MX2-3/4-L00	G3/4	70	18.5	55.5	68	84.5	210	104.5	20.5	85	152	37.5	0.5
MX3-3/4-L00	G3/4	89.5	18.5	61.5	76	100	243	123	21	99	178	44.5	0.8
MX3-1-L00	G1	89.5	18.5	61.5	76	100	243	123	21	99	178	44.5	0.8
MX2-1/2-L00M	G1/2	70	18.5	60	68	84.5	212	106.5	20.5	85	154	37.5	0.6
MX3-1-L00M	G1	89.5	18.5	67	76	100	242	122	21	99	177	44.5	0.8