

PNEUMATIC PILOT OPERATED PRESSURE REGULATORS

SERIES MX

Ports: G3/8, G1/2, G3/4

Modular - Available with built-in pressure gauges or ports for gauges



- Pneumatically operated regulation
- Minimal pressure decreases
- Integral return exhaust (relieving)

The availability of constant values of the secondary pressure ensures performance optimization and energy saving. All regulators are equipped with an integrated locking system and built-in pressure gauges for a more compact product.

The Series MX has been realized to offer a multi-sector solution that guarantees saving in terms of installation time, space and costs.

General Data

Construction	Modular, compact, diaphragm type
Materials	See table of materials on the following page
Ports	G3/8 - G1/2 - G3/4
Mounting	Vertical in-line wall-mounting (by means of clamps)
Operating temperature	-5°C ÷ 50°C up to 16 bar (with the dew point of the fluid lower than 2°C at the min. working temperature) -5°C ÷ 60°C up to 10 bar (with the dew point of the fluid lower than 2°C at the min. working temperature)
Inlet pressure	0 ÷ 16 bar
Outlet pressure	10 bar
Overpressure exhaust	With relieving (standard) Without relieving
Nominal flow	See flow diagrams on the following pages
Fluid	Compressed air
Pressure gauge	Built-in pressure gauge (standard) With g1/8 port

PNEUMATIC PILOT OPERATED PRESSURE REGULATORS
SERIES MX - CODING EXAMPLES

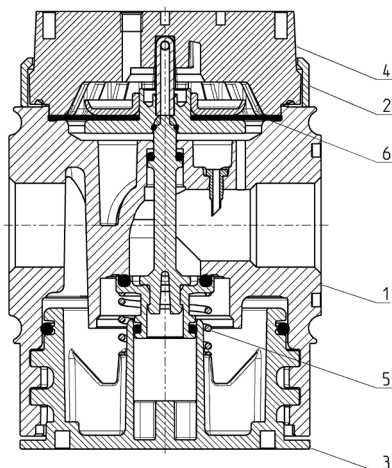
CODING EXAMPLE

MX	2	-	1/2	-	R	CP	0	0	4	-	LH
MX	SERIES										
2	SIZE: 2 = G3/8 - G1/2 - G3/4										
1/2	PORTS: 3/8 = G3/8 1/2 = G1/2 3/4 = G3/4										
R	TYPE OF REGULATOR: R = pressure regulator										
CP	TYPE OF COMMAND/PILOT SUPPLY: CP = pneumatic pilot supply										
0	OPERATING PRESSURE: 0 = 0.5 ÷ 10 bar										
0	DESIGN TYPE: 0 = relieving (standard) 1 = without relieving										
4	PRESSURE GAUGE: 0 = without pressure gauge (with threaded port for gauges) 4 = with built-in pressure gauge 0-12 and working pressure 0.5 ÷ 10 bar (standard)										
LH	FLOW DIRECTION: = from left to right (standard) LH = from right to left										

AIR TREATMENT

9

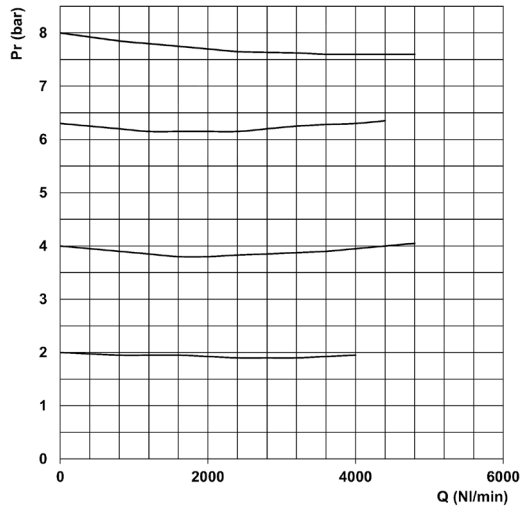
Pneumatic pilot operated pressure regulators Series MX - materials



Parts	Materials
1 = Body	Aluminium
2 = Covering	Polyacetal
3 = Valve holder plug	Polyacetal
4 = Upper base	Polyamide
5 = Lower spring	Stainless steel
6 = Diaphragm	NBR
Seals	NBR

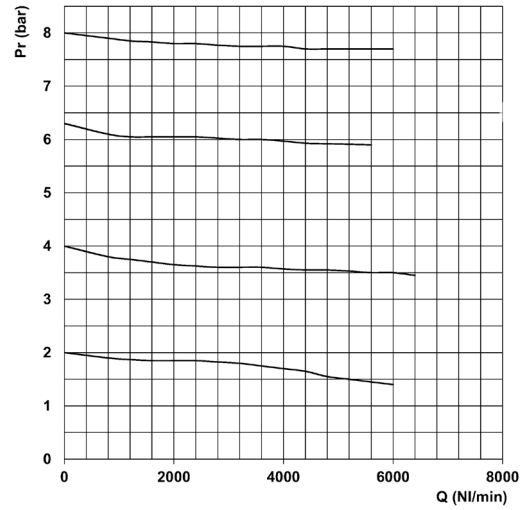
Diagrams of pneumatic pilot operated pressure regulators

MX2-3/8-RPC000



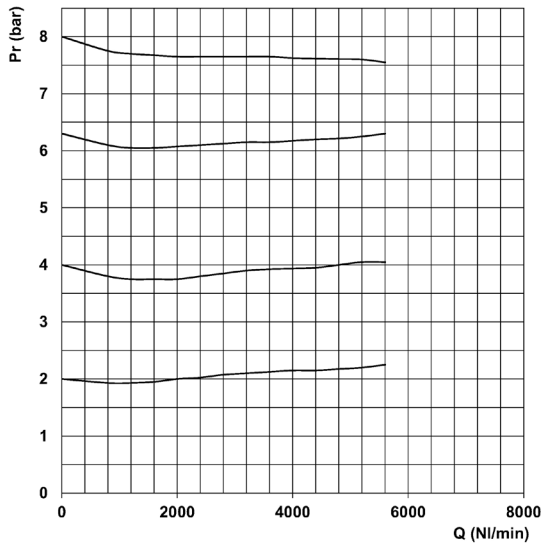
Pr = Regulated pressure (bar)
 Q = Flow (NI/min)
 Inlet pressure = 10bar

MX2-3/4-RCP000



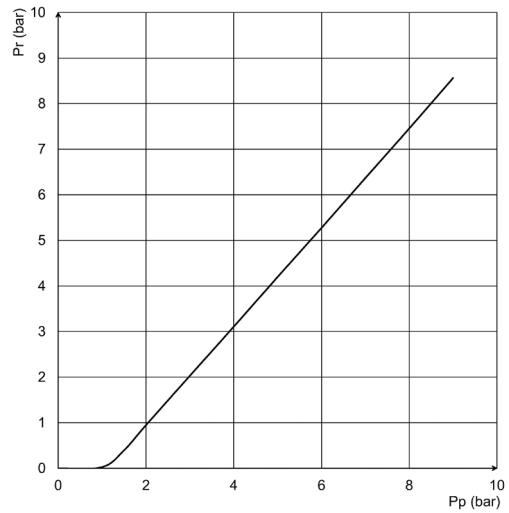
Pr = Regulated pressure (bar)
 Q = Flow (NI/min)
 Inlet pressure = 10bar

MX2-1/2-RCP000



Pr = Regulated pressure (bar)
 Q = Flow (NI/min)
 Inlet pressure = 10bar

Adjustment curve

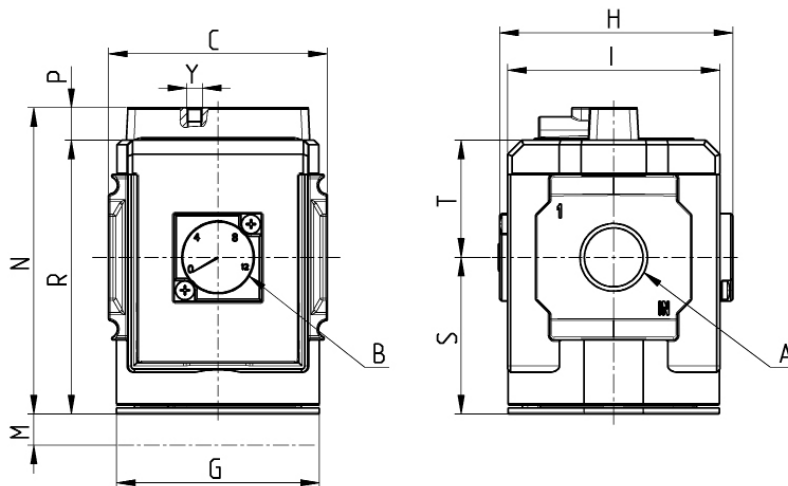
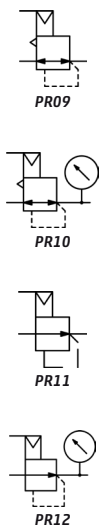


Pr = regulated pressure (bar)
 Pp = pilot pressure (bar)
 Inlet pressure = 10bar

PNEUMATIC PILOT OPERATED PRESSURE REGULATORS
SERIES MX - DIMENSIONS

Pneumatic pilot operated pressure regulators Series MX - dimensions

PR09 = regulator with relieving
 PR10 = regulator with relieving and pressure gauge
 PR11 = regulator without relieving
 PR12 = regulator without relieving and with pressure gauge



Mod.	A	B (bar)	C	G	H	I	M	Y (Pilot supply)	N	P	R	S	T	Weight [kg]
MX2-3/8-RCP004	G3/8	0 ÷ 12	70	65	74,5	68	45	M5	98	10	88	50,5	37,5	0,5
MX2-1/2-RCP004	G1/2	0 ÷ 12	70	65	74,5	68	45	M5	98	10	88	50,5	37,5	0,5
MX2-3/4-RCP004	G3/4	0 ÷ 12	70	65	74,5	68	45	M5	98	10	88	50,5	37,5	0,5

Rapid clamp kit



Materials:
Technopolymer clamp, NBR
O-ring, zinc-plated steel
nuts and screws.

The MX2-X kit is supplied with:
1x Rapid clamp,
1x O-ring OR 3125 *;
2x Hexagonal nuts M5;
2x Screws M5x69.

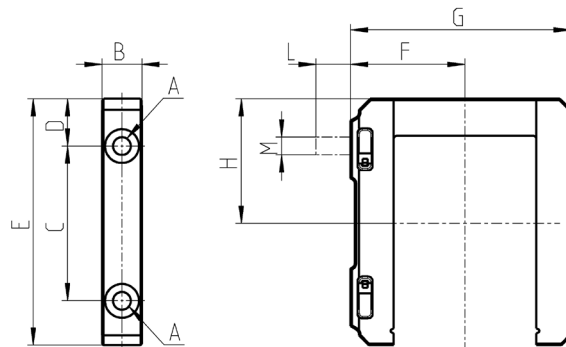
The MX2-Z kit is supplied with:
1x Rapid clamp,
1x O-ring OR 3125 *;
1x Hexagonal nut M5;
1x Screw M5x69;
1x Screw M5x85 for wall fixing.

*It can be ordered separately (cod. 160-39-11/19).

The MX3-X kit is supplied with:
1x Rapid clamp,
1x O-ring OR 38X2,8 **;
2x Square nuts M6;
2x Screws M6x75.

The MX3-Z kit is supplied with:
1x Rapid clamp,
1x O-ring OR 38X2,8 **;
1x Square nut M6,
1x Screw M6x75;
1x Screw M6x90 for wall fixing.

**It can be ordered separately (OR 38X2,8 NBR).



Mod.	A	B	C	D	E	F	G	H	L	M	Notes
MX2-X	5,2	12	46	14	73,5	37,5	70,5	37	-	-	
MX2-Z	5,2	12	46	14	73,5	37,5	70,5	37	14	M5	Kit with wall fixing screw
MX3-X	6,2	14	54	16,5	86	40	77	43,5	-	-	
MX3-Z	6,2	14	54	16,5	86	40	77	43,5	13	M6	Kit with wall fixing screw

Rapid clamp kit with wall fixing brackets



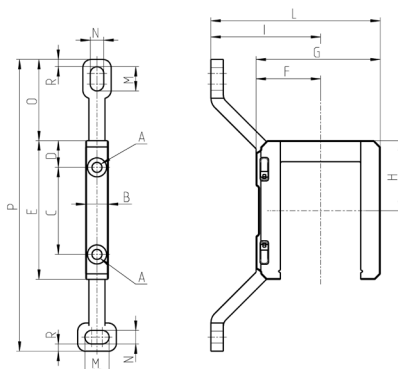
The MX2-Y kit is supplied with:
 1x rapid wall clamp;
 1x O-ring OR 3125 **;
 2x hexagonal nuts;
 2x screws M5x69.

** It can be ordered separately (cod. 160-39- 11/19).

Materials:
 technopolymer clamp, NBR
 O-ring, zinc-plated steel
 nuts and screws.

The kit MX3-Y is supplied with:
 1x wall rapid clamp;
 1x O-ring 38X2,8 **;
 2x square nuts M6;
 2x screws M6x75.

** It can be also separately ordered (OR 38X2,8 NBR).



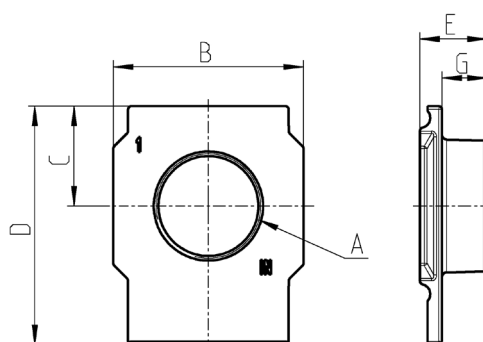
Mod.	A	B	C	D	E	F	G	H	I	L	M	N	O	P	R
MX2-Y	5,2	12	46	14	73,5	32,5	70,5	37	70,5	103	12	6,5	42	152	4
MX3-Y	6,2	14	54	16,5	86	40	77	43,5	68	105	15	8,4	50,5	181	4,5

Terminal flanges (IN/OUT)



Supplied with:
 1x flange INLET side
 1x flange OUTLET side

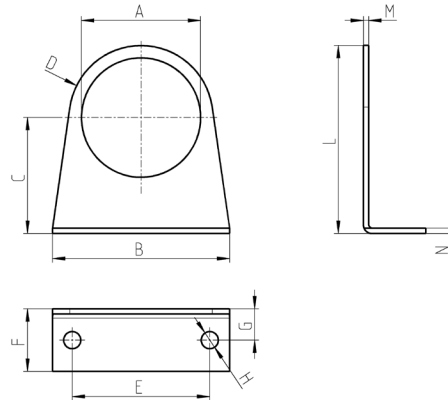
Materials:
 painted aluminium flanges.



Mod.	A	B	C	D	E	G
MX2-3/8-FL	G3/8	50	26,5	63,5	17	11
MX2-1/2-FL	G1/2	50	26,5	63,5	17	11
MX2-3/4-FL	G3/4	50	26,5	63,5	17	11
MX3-3/4-FL	G3/4	58	30,5	73	20,5	13,5
MX3-1-FL	G1	58	30,5	73	20,5	13,5

Fixing bracket for regulators

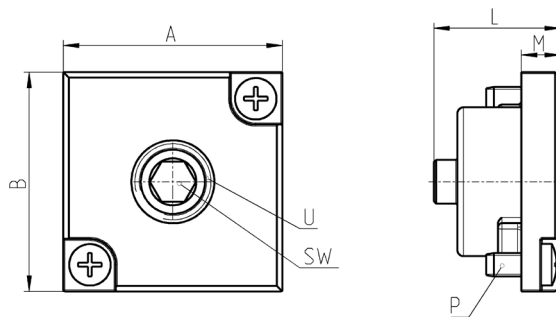
Supplied with:
 1x zinc-plated steel bracket



Mod.	A	B	C	D	E	F	G	H	L	M	N
MX2-S	Ø47,2	73	60,5	R29,5	54	25	15	Ø6,2	90	2,5	2,5
MX3-S	Ø57,2	85	55,5	R34,5	66	30	15	Ø8,2	90	2,5	2,5

Block for pressure gauge fixing

Supplied with:
 1x block
 1x grain
 2x screws
 1x seal



Mod.	A	B	L	M	P	U	SW
MX2-R26/1-P	28	28	16,5	5	M3x7	1/8	5
MX3-R26/1-P	28	28	16,5	5	M3x7	1/4	6

Built-in pressure gauge



Supplied with:
 1x pressure gauge
 1x seal
 2x screws

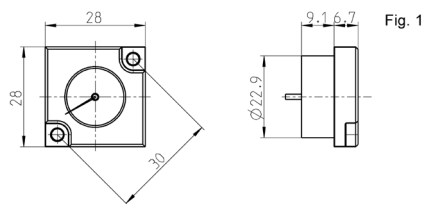


Fig. 1

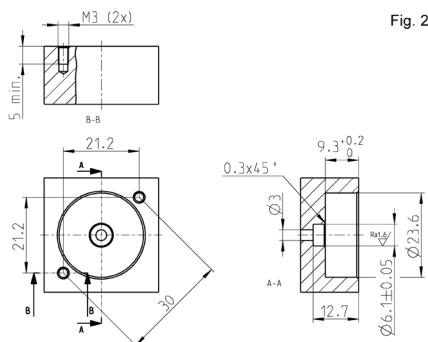
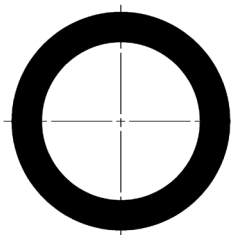


Fig. 2

Mod.	Range
MX3-R34/W-P	0 ÷ 4 bar
MX3-R31/W-P	0 ÷ 6 bar
MX3-R32/W-P	0 ÷ 10 bar
MX3-R30/W-P	0 ÷ 12 bar

O-ring for assembling



Mod.	O-ring	For assembly
160-39-11/19	OR 3125	MX2
OR 38x2,8 NBR	OR 38x2,8	MX3