

# Series MX pneumatic pilot operated pressure regulators

Ports: G3/8, G1/2, G3/4

Modular - Available with built-in pressure gauges or ports for gauges



- » Pneumatically operated regulation
- » Minimal pressure decreases
- » Integral return exhaust (relieving)

The availability of constant values of the secondary pressure ensures performance optimization and energy saving. All regulators are equipped with an integrated locking system and built-in pressure gauges for a more compact product.

The Series MX has been realized to offer a multi-sector solution that guarantees saving in terms of installation time, space and costs.

A special configurator, available on Camozzi website at <http://catalogue.camozzi.com> (sec. Configurators), allows the customer to choose the most suitable solution for his application, selecting single components or by configuring assembled FRLs.

## GENERAL DATA

<b>Construction</b>	modular, compact, diaphragm type
<b>Materials</b>	see TABLE OF MATERIALS on the following page
<b>Ports</b>	G3/8 - G1/2 - G3/4
<b>Mounting</b>	vertical in-line wall-mounting (by means of clamps)
<b>Operating temperature</b>	-5°C ÷ 50°C up to 16 bar (with the dew point of the fluid lower than 2°C at the min. working temperature) -5°C ÷ 60°C up to 10 bar (with the dew point of the fluid lower than 2°C at the min. working temperature)
<b>Inlet pressure</b>	0 ÷ 16 bar
<b>Outlet pressure</b>	10 bar
<b>Overpressure exhaust</b>	with relieving (standard) without relieving
<b>Nominal flow</b>	see FLOW DIAGRAMS on the following pages
<b>Fluid</b>	compressed air
<b>Pressure gauge</b>	built-in pressure gauge (standard) with G1/8 port

**CODING EXAMPLE**

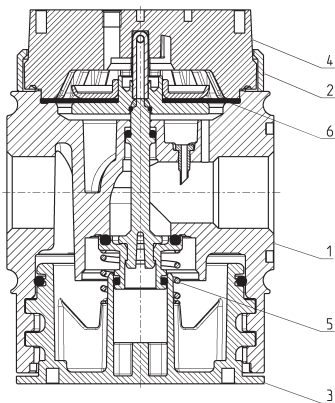
<b>MX</b>	<b>2</b>	<b>-</b>	<b>1/2</b>	<b>-</b>	<b>R</b>	<b>CP</b>	<b>0</b>	<b>0</b>	<b>4</b>	<b>-</b>	<b>LH</b>
-----------	----------	----------	------------	----------	----------	-----------	----------	----------	----------	----------	-----------

<b>MX</b>	SERIES
<b>2</b>	SIZE: 2 = G3/8 - G1/2 - G3/4
<b>1/2</b>	PORTS: 3/8 = G3/8 1/2 = G1/2 3/4 = G3/4
<b>R</b>	TYPER OF REGULATOR: R = pressure regulator
<b>CP</b>	TYPE OF COMMAND/PILOT SUPPLY: CP = pneumatic pilot supply
<b>0</b>	OPERATING PRESSURE: 0 = 0.5 ÷ 10 bar
<b>0</b>	DESIGN TYPE: 0 = relieving (standard) 1 = without relieving
<b>4</b>	PRESSURE GAUGE: 0 = without pressure gauge (with threaded port for gauges) 4 = with built-in pressure gauge 0-12 and working pressure 0.5 ÷ 10 bar (standard)
<b>LH</b>	FLOW DIRECTION: = from left to right (standard) LH = from right to left

SERIES MX PNEUMATIC PILOT OPERATED PRESSURE REGULATORS

For the assembly of a single component with fixing flanges or wall-mounting, see the section "FRL Series MX Assembled"

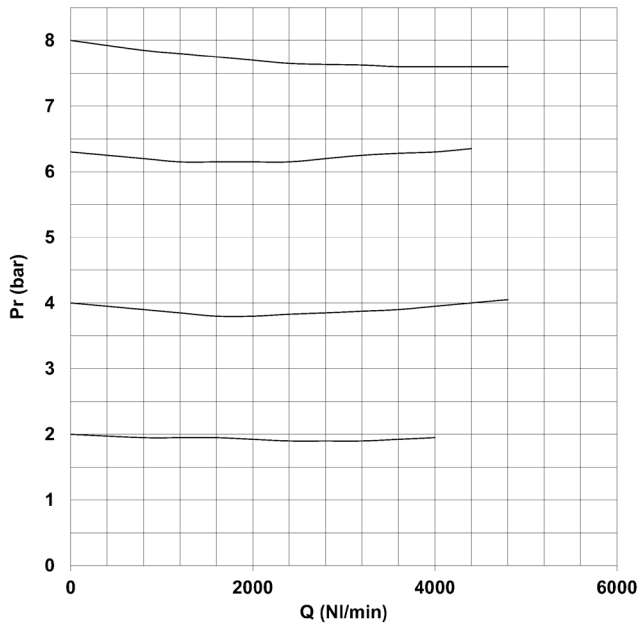
**Pneumatic pilot operated pressure regulators Series MX - materials**



PARTS	MATERIALS
<b>1 = Body</b>	Aluminium
<b>2 = Covering</b>	Polyacetal
<b>3 = Valve holder plug</b>	Polyacetal
<b>4 = Upper base</b>	Polyamide
<b>5 = Lower spring</b>	Stainless steel
<b>6 = Diaphragm</b>	NBR
<b>Seals</b>	NBR

DIAGRAMS OF PNEUMATIC PILOT OPERATED PRESSURE REGULATORS

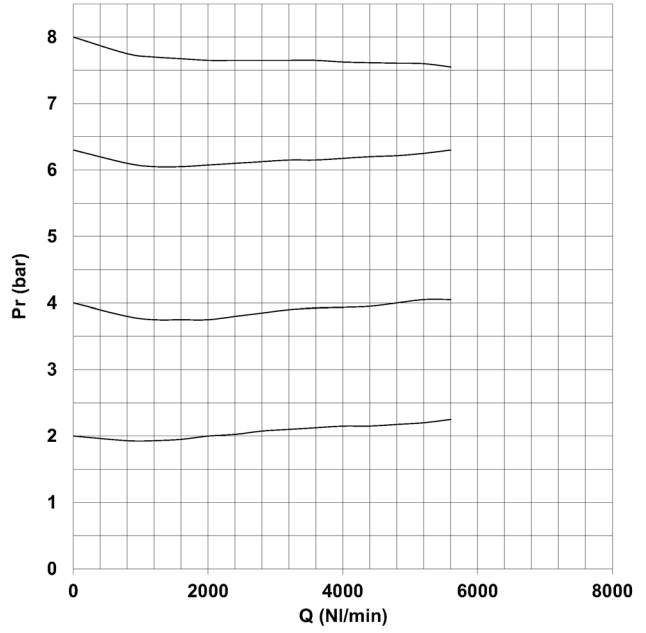
MX2-3/8-RCP000



Pr = Regulated pressure (bar)  
Q = Flow (NL/min)

Inlet pressure = 10bar

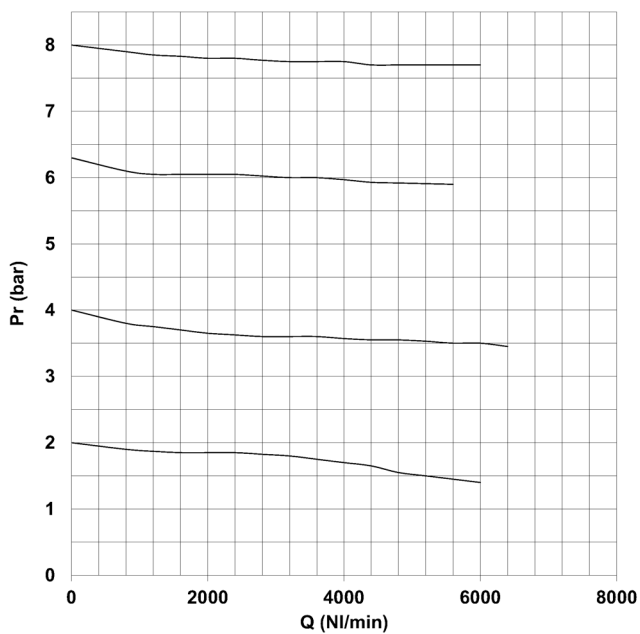
MX2-1/2-RCP000



Pr = Regulated pressure (bar)  
Q = Flow (NL/min)

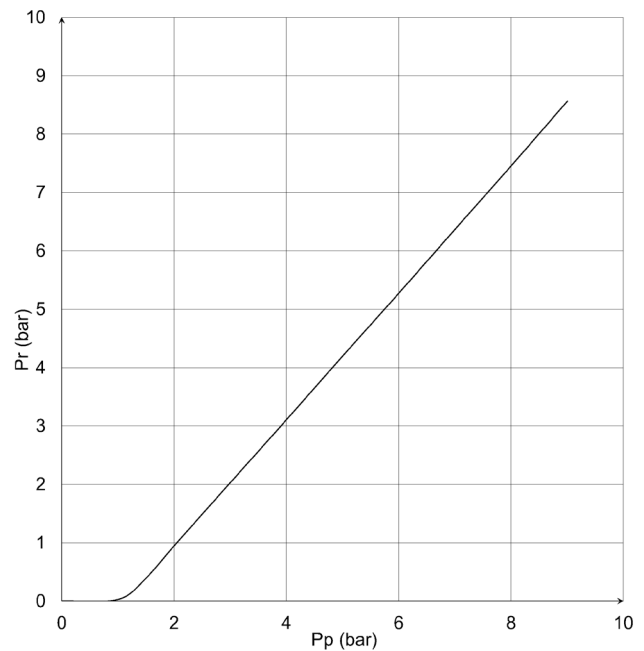
Inlet pressure = 10bar

MX2-3/4-RCP000



Pr = Regulated pressure (bar)  
Q = Flow (NL/min)

Inlet pressure = 10bar



ADJUSTMENT CURVE

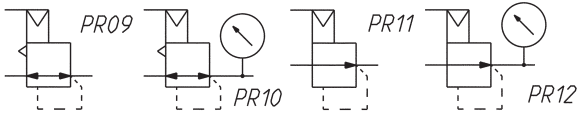
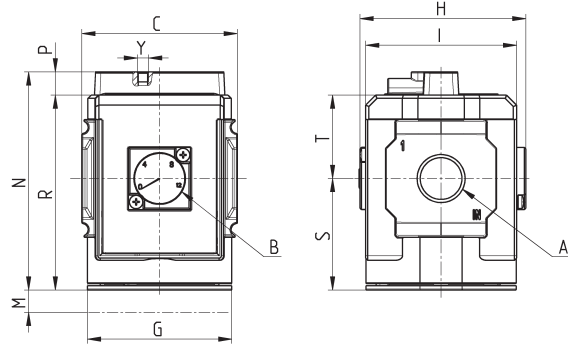
Pr = regulated pressure (bar)  
Pp = pilot pressure (bar)

Inlet pressure = 10bar

**Pneumatic pilot operated pressure regulators Series MX - dimensions**



PR09 = reg. with relieving  
 PR10 = regulator with relieving and pressure gauge  
 PR11 = regulator without relieving  
 PR12 = regulator without relieving and with pressure gauge



Mod.	A	B (bar)	C	G	H	I	M	Y (Pilot supply)	N	P	R	S	T	Weight (Kg)
MX2-3/8-RCP004	G3/8	0 ÷ 12	70	65	74.5	68	45	M5	98	10	88	50.5	37.5	0.5
MX2-1/2-RCP004	G1/2	0 ÷ 12	70	65	74.5	68	45	M5	98	10	88	50.5	37.5	0.5
MX2-3/4-RCP004	G3/4	0 ÷ 12	70	65	74.5	68	45	M5	98	10	88	50.5	37.5	0.5

SERIES MX PNEUMATIC PILOT OPERATED PRESSURE REGULATORS