

Series MX pneumatic pilot operated pressure regulators



Ports: G3/8, G1/2, G3/4

Modular - Available with built-in pressure gauges or ports for gauges



- » Pneumatically operated regulation
- » Minimal pressure decreases
- » Integral return exhaust (relieving)

The availability of constant values of the secondary pressure ensures performance optimization and energy saving. All regulators are equipped with an integrated locking system and built-in pressure gauges for a more compact product.

The Series MX has been realized to offer a multi-sector solution that guarantees saving in terms of installation time, space and costs.

A special configurator, available on Camozzi website at <http://catalogue.camozzi.com> (sec. Configurators), allows the customer to choose the most suitable solution for his application, selecting single components or by configuring assembled FRLs.

GENERAL DATA

Construction	modular, compact, diaphragm type
Materials	see TABLE OF MATERIALS on the following page
Ports	G3/8 - G1/2 - G3/4
Mounting	vertical in-line wall-mounting (by means of clamps)
Operating temperature	-5°C ÷ 50°C up to 16 bar (with the dew point of the fluid lower than 2°C at the min. working temperature) -5°C ÷ 60°C up to 10 bar (with the dew point of the fluid lower than 2°C at the min. working temperature)
Inlet pressure	0 ÷ 16 bar
Outlet pressure	10 bar
Overpressure exhaust	with relieving (standard) without relieving
Nominal flow	see FLOW DIAGRAMS on the following pages
Fluid	compressed air
Pressure gauge	built-in pressure gauge (standard) with G1/8 port

CODING EXAMPLE

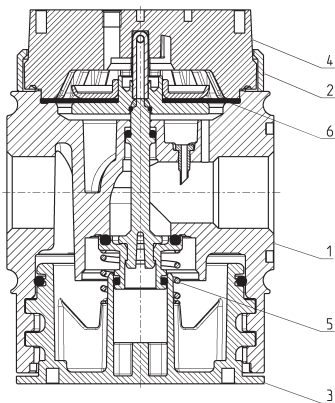
MX	2	-	1/2	-	R	CP	0	0	4	-	LH
-----------	----------	----------	------------	----------	----------	-----------	----------	----------	----------	----------	-----------

MX	SERIES
2	SIZE: 2 = G3/8 - G1/2 - G3/4
1/2	PORTS: 3/8 = G3/8 1/2 = G1/2 3/4 = G3/4
R	TYPER OF REGULATOR: R = pressure regulator
CP	TYPE OF COMMAND/PILOT SUPPLY: CP = pneumatic pilot supply
0	OPERATING PRESSURE: 0 = 0.5 ÷ 10 bar
0	DESIGN TYPE: 0 = relieving (standard) 1 = without relieving
4	PRESSURE GAUGE: 0 = without pressure gauge (with threaded port for gauges) 4 = with built-in pressure gauge 0-12 and working pressure 0.5 ÷ 10 bar (standard)
LH	FLOW DIRECTION: = from left to right (standard) LH = from right to left

SERIES MX PNEUMATIC PILOT OPERATED PRESSURE REGULATORS

For the assembly of a single component with fixing flanges or wall-mounting, see the section "FRL Series MX Assembled"

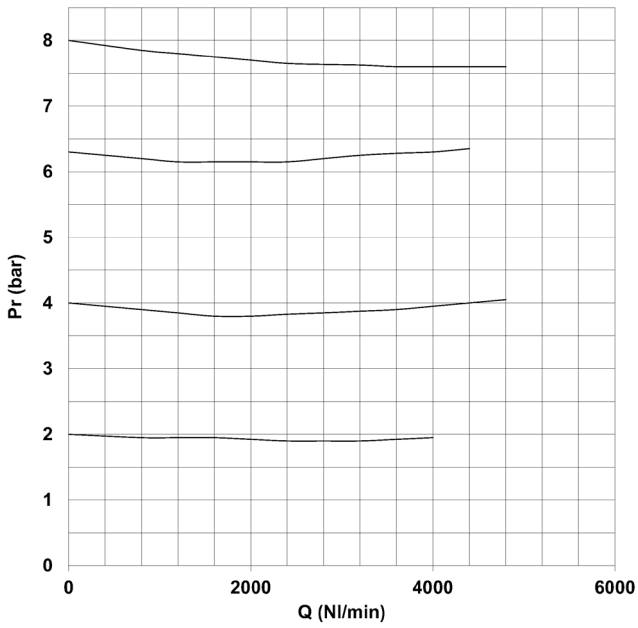
Pneumatic pilot operated pressure regulators Series MX - materials



PARTS	MATERIALS
1 = Body	Aluminium
2 = Covering	Polyacetal
3 = Valve holder plug	Polyacetal
4 = Upper base	Polyamide
5 = Lower spring	Stainless steel
6 = Diaphragm	NBR
Seals	NBR

DIAGRAMS OF PNEUMATIC PILOT OPERATED PRESSURE REGULATORS

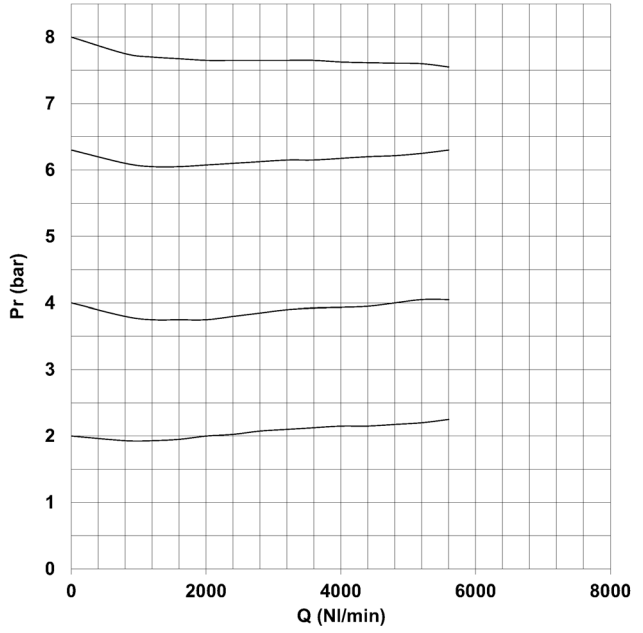
MX2-3/8-RCP000



Pr = Regulated pressure (bar)
Q = Flow (NL/min)

Inlet pressure = 10bar

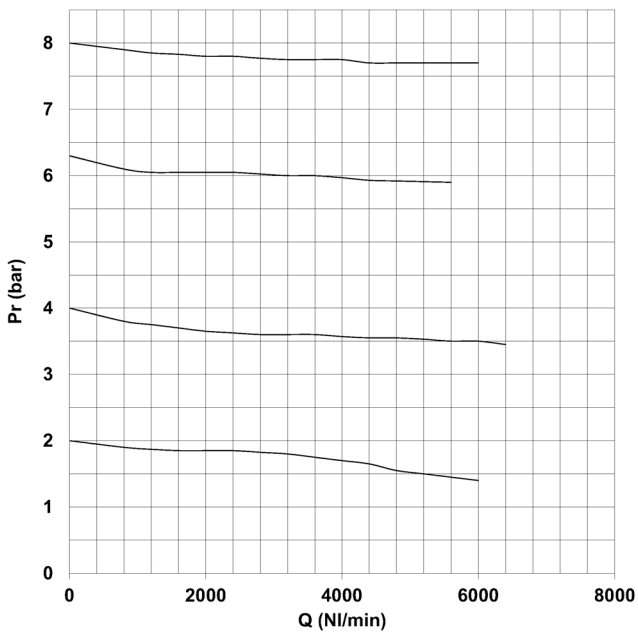
MX2-1/2-RCP000



Pr = Regulated pressure (bar)
Q = Flow (NL/min)

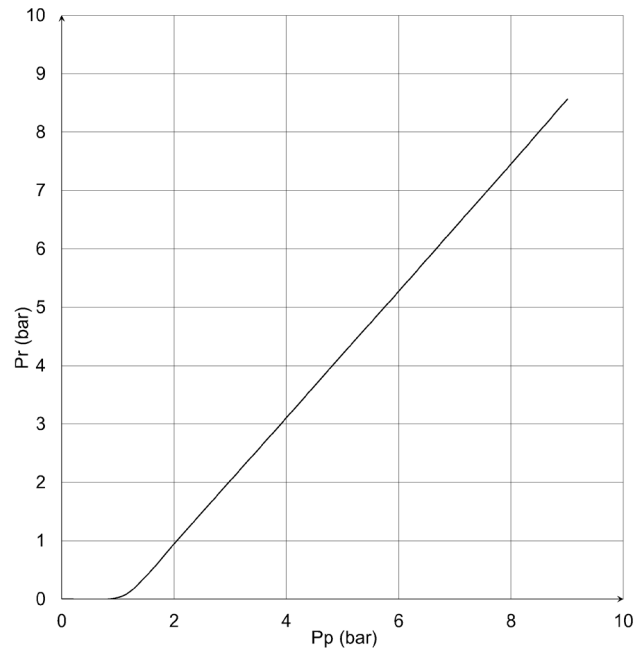
Inlet pressure = 10bar

MX2-3/4-RCP000



Pr = Regulated pressure (bar)
Q = Flow (NL/min)

Inlet pressure = 10bar



ADJUSTMENT CURVE

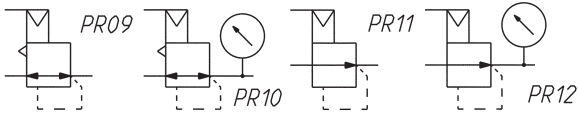
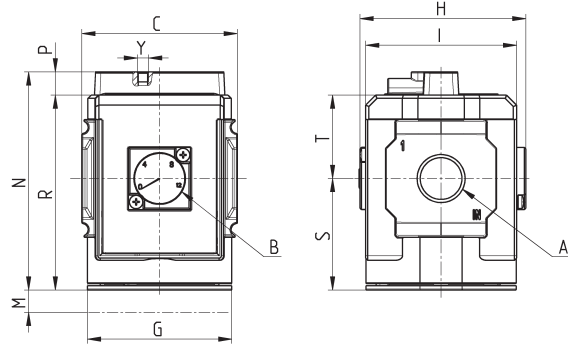
Pr = regulated pressure (bar)
Pp = pilot pressure (bar)

Inlet pressure = 10bar

Pneumatic pilot operated pressure regulators Series MX - dimensions



PR09 = reg. with relieving
 PR10 = regulator with relieving and pressure gauge
 PR11 = regulator without relieving
 PR12 = regulator without relieving and with pressure gauge



Mod.	A	B (bar)	C	G	H	I	M	Y (Pilot supply)	N	P	R	S	T	Weight (Kg)
MX2-3/8-RCP004	G3/8	0 ÷ 12	70	65	74.5	68	45	M5	98	10	88	50.5	37.5	0.5
MX2-1/2-RCP004	G1/2	0 ÷ 12	70	65	74.5	68	45	M5	98	10	88	50.5	37.5	0.5
MX2-3/4-RCP004	G3/4	0 ÷ 12	70	65	74.5	68	45	M5	98	10	88	50.5	37.5	0.5

SERIES MX PNEUMATIC PILOT OPERATED PRESSURE REGULATORS