

Series N filter-regulators

Ports G1/8, G1/4



» Available with: transparent PA12 bowl or nickel-plated brass bowl for the small version (N1)

The version with metal bowl is particularly suitable for applications subject to impacts or in the presence of aggressive agents that could damage the PA12 bowl.

Series N filter-regulator is available with G1/4 and G1/8 ports. Its design incorporates a self relieving diaphragm. The transparent filter bowl allows an easy monitoring of the condensate level. The semi-automatic manual drain makes both the manual and automatic condensate exhaust easier when there is no pressure.

GENERAL DATA

| | |
|--|---|
| Construction | HDPE and coalescing filtering element |
| Materials | brass body and poppet stainless steel spring NBR O-ring HDPE filtering element transparent PA12 or nickel-plated bowl others: PA |
| Ports | G1/8 - G1/4 |
| Max. condensate capacity | 11 cm ³ (bowl size = 1) 28 cm ³ (bowl size = 2) |
| Weight | 0.370 Kg |
| Pressure gauge ports | G1/8 |
| Mounting | vertical, in-line |
| Operating temperature | -5°C ÷ 50°C a 10 bar (with the dew point of the fluid lower than 2°C at the min. working temperature) |
| Quality of delivered air according to ISO 8573-1 2010 | Class 7.8.4 with 25 µm filtering element Class 6.8.4 with 5 µm filtering element |
| Draining of condensate | see the coding example |
| Outlet pressure | with depressurisation drain 0.3 ÷ 10 bar |
| Nominal flow | see FLOW DIAGRAMS on the following pages |
| Secondary pressure relieving | with relieving (standard) without relieving |
| Fluid | compressed air |

CODING EXAMPLE

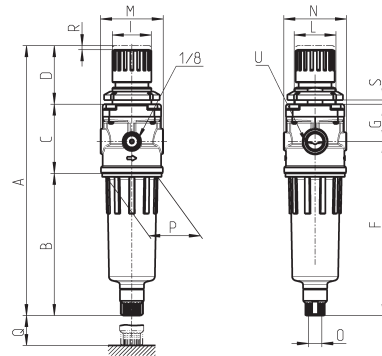
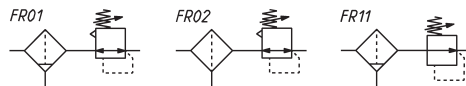
| | | | | | | | | | |
|-----------|--|-----------|----------|----------|----------|----------|----------|----------|----------|
| N | 2 | 04 | - | D | 0 | 0 | - | 4 | - |
| N | SERIES | | | | | | | | |
| 2 | SIZE: 1 = small bowl (11 cm ³) 2 = normal bowl (28 cm ³) | | | | | | | | |
| 04 | PORTS: 08 = G1/8 04 = G1/4 | | | | | | | | |
| D | D = FILTER-REGULATOR | | | | | | | | |
| 0 | FILTERING ELEMENT: 0 = 25µm (standard) 1 = 5µm | | | | | | | | |
| 0 | DRAINING OF CONDENSATE (further details in the dedicated section) AND DESIGN TYPE: 0 = semi-automatic manual drain with self-relieving 1 = semi-automatic manual drain without relieving 4 = depressurisation with self-relieving (with normal bowl only) 5 = protected depressurisation with self-relieving (with normal bowl only) 8 = no drain (direct port 1/8), with self-relieving 9 = closed cup (OX1 version only) | | | | | | | | |
| 4 | OPERATING PRESSURE: = 0.5 ÷ 10 bar (standard) 2 = 0.5 ÷ 2 bar 4 = 0.5 ÷ 4 bar 7 = 0.5 ÷ 7 bar | | | | | | | | |
| | BOWL MATERIAL: = transparent PA12 (standard) TM = nickel-plated brass (only in the small size with semi-automatic manual drain or without drain) | | | | | | | | |
| | OPTIONS: OX1 = for oxygen (non-volatile residue less than 550 mg/m ³) | | | | | | | | |

SERIES N FILTER-REGULATORS

Series N filter-regulators



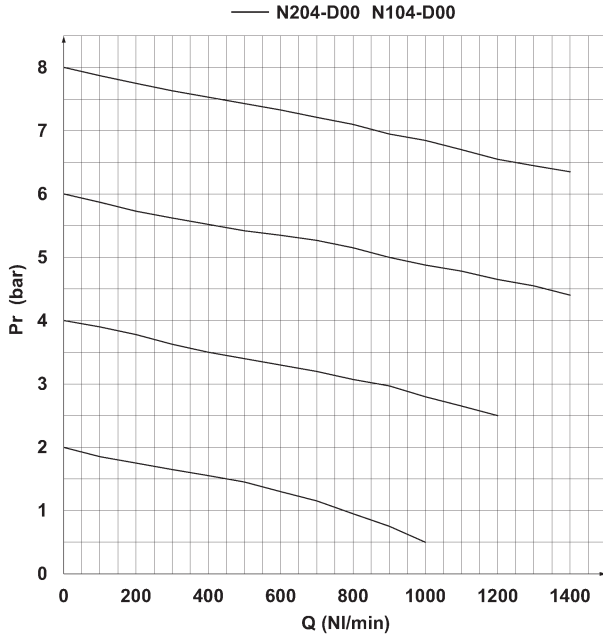
FR01 = filter-regulator with relieving and manual drain
 FR02 = FR with relieving and without drain
 FR11 = FR with manual drain and without relieving



| Mod. | A | B | C | D | F | G | I | L | M | N | O | P | Q | R | S | U |
|---------------------|-----|-----|----|----|-----|----|----|---------|----|----|------|----|----|---|-------|------|
| N108-D00 | 167 | 78 | 50 | 39 | 101 | 27 | 28 | M30x1,5 | 45 | 45 | G1/8 | 38 | 40 | 3 | 0 ÷ 6 | G1/8 |
| N104-D00 | 167 | 78 | 50 | 39 | 101 | 27 | 28 | M30x1,5 | 45 | 45 | G1/8 | 38 | 40 | 3 | 0 ÷ 6 | G1/4 |
| N208-D00 | 191 | 102 | 50 | 39 | 125 | 27 | 28 | M30x1,5 | 45 | 45 | G1/8 | 38 | 40 | 3 | 0 ÷ 6 | G1/8 |
| N204-D00 | 191 | 102 | 50 | 39 | 125 | 27 | 28 | M30x1,5 | 45 | 45 | G1/8 | 38 | 40 | 3 | 0 ÷ 6 | G1/4 |
| N104-D19-OX1 | 147 | 59 | 50 | 39 | 82 | 27 | 28 | M30x1,5 | 45 | 45 | / | 38 | 40 | 3 | 0 ÷ 6 | G1/4 |
| N108-D19-OX1 | 147 | 59 | 50 | 39 | 82 | 27 | 28 | M30x1,5 | 45 | 45 | / | 38 | 40 | 3 | 0 ÷ 6 | G1/8 |

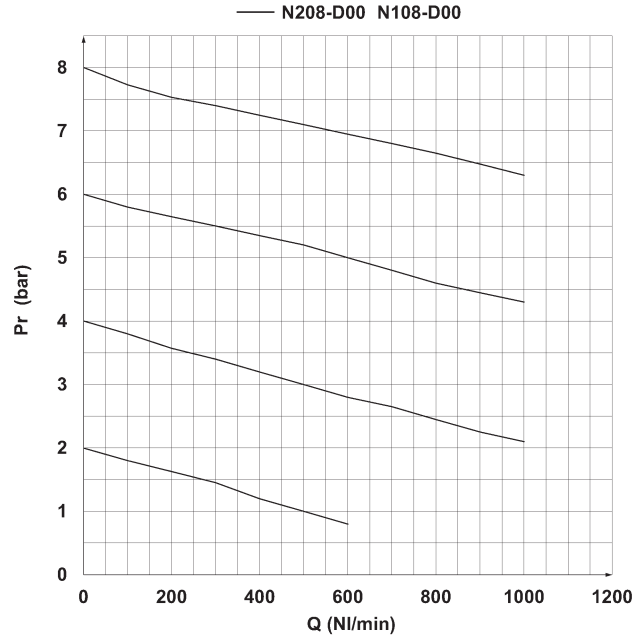
FLOW DIAGRAMS

SERIES N FILTER-REGULATORS



Flow diagrams for models: N204-D00 - N104-D00

Pa = Inlet pressure (bar)
Pr = Regulated pressure (bar)
Qn = Flow (NL/min)



Flow diagrams for models: N208-D00 - N108-D00

Pa = Inlet pressure (bar)
Pr = Regulated pressure (bar)
Qn = Flow (NL/min)