

Series NA valves and solenoid valves

3/2 - 5/2 - 5/3-way CC CO CP
with holes configured according NAMUR standards

SERIES NA VALVES AND SOLENOID VALVES



The pneumatic interface connection complies with NAMUR standards.
These solenoid valves can be equipped with solenoids that are in compliance with UL or ATEX standards.

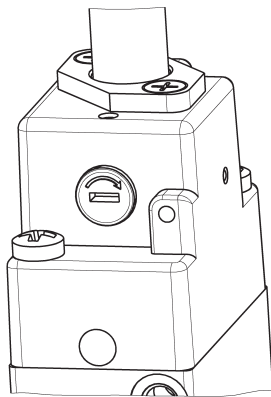
GENERAL DATA

| | |
|------------------------------|---|
| Construction | spool type (servo-pilot operated) |
| Valve functions | 3/2-way NC, NO - 5/2-way - 5/3-way CC, CO, CP |
| Materials | AL body - stainless steel spool - NBR seals |
| Mounting | through 2 Ø5 holes in the valve body |
| Ports | 2 - 4 = NAMUR 1 - 3 - 5 = G1/4 |
| Installation | directly on a Namur Interface |
| Operating temperature | 0 ÷ 60°C (using dry air -20°C) |
| Operating pressure | 1,5 - 10 bar double solenoid 2,5 - 10 bar single solenoid |
| Nominal pressure | 6 bar |
| Nominal flow | Qn = 1000 Nl/min |
| Nominal diameter | 8 mm |
| Fluid | filtered air without lubrication. If lubricated air is used, it is recommended to use ISOVG32 oil, and to never interrupt the lubrication. |

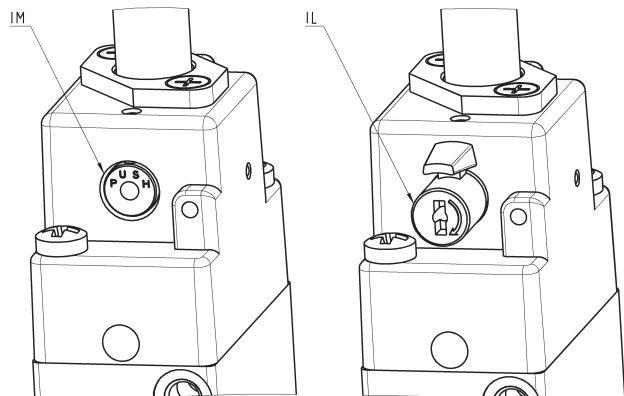
CODING EXAMPLE

| | | | | | | | | | | |
|-----------|---|-----------|----------|-----------|----------|-----------|-----------|----------|-----------|----------|
| NA | 5 | 4N | - | 15 | - | 02 | IL | - | U7 | 7 |
| NA | SERIES NAMUR | | | | | | | | | |
| 5 | NUMBER OF WAYS - POSITIONS: 3 = 3/2 NC 4 = 3/2 NO 5 = 5/2 6 = 5/3 CC 7 = 5/3 CO 8 = 5/3 CP | | | | | | | | | |
| 4N | PORTS: 4N = G1/4 supply ports according NAMUR standards | | | | | | | | | |
| 15 | ACTUATION: 11 = double solenoid 15 = single solenoid, spring return 33 = pneumatic pneumatic 35 = pneumatic, spring | | | | | | | | | |
| 02 | SOLENOID INTERFACE: 02 = mech. sol. 22 x 22 | | | | | | | | | |
| IL | TYPE OF MANUAL OVERRIDE: = bistable, standard IL = bistable, lever type (available on demand) IM = monostable (available on demand) | | | | | | | | | |
| U7 | SOLENOID MATERIAL / SOLENOID DIMENSIONS: A8 = PPS / 30 x 30 G7 = PA / 22 x 22 G8 = PA / 30 x 30 (24 V DC only) G9 = PA / 22 x 58 H8 = Self-extinguishing PA, Explosion-proof / 30 x 30 U7 = PET / 22 x 22 | | | | | | | | | |
| 7 | SOLENOID VOLTAGE (see the dedicated section 2.35) | | | | | | | | | |

TYPES OF MANUAL OVERRIDE

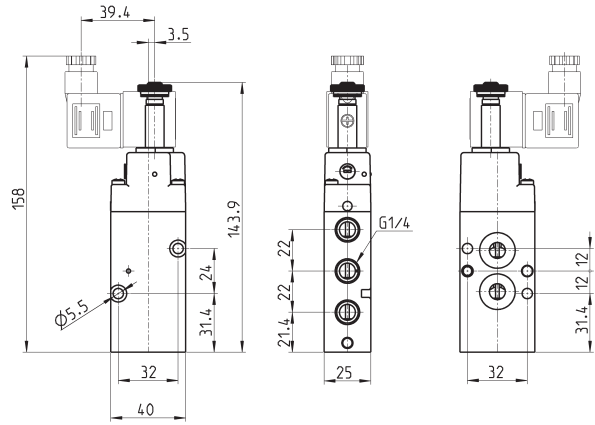
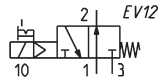
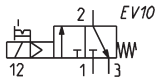


Example of solenoid valve with a bistable standard manual override.



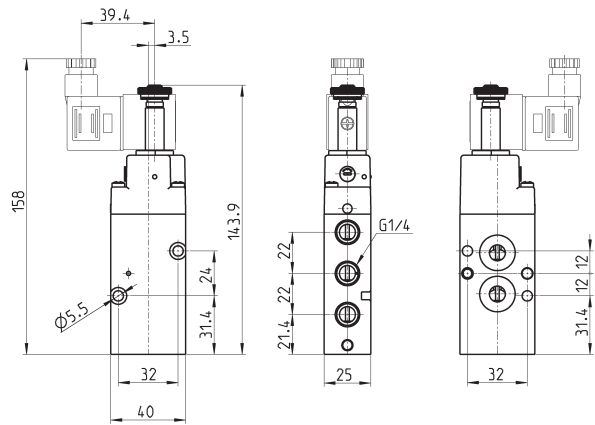
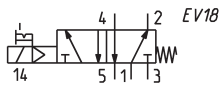
Example of solenoid monostable valve (IM) and bistable valve with a lever type manual override (IL).

3/2-way solenoid valve NC and NO



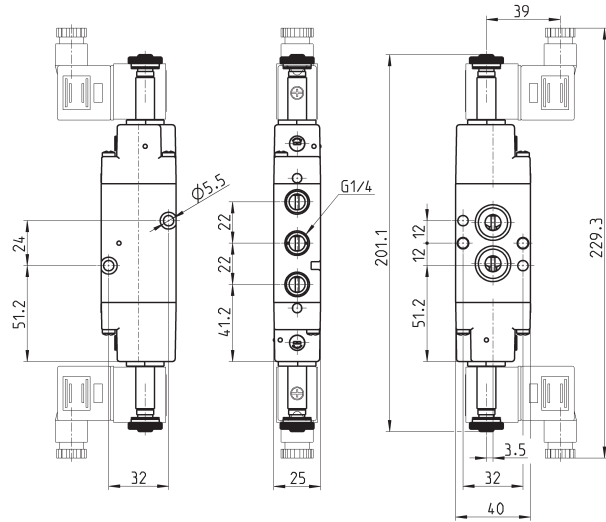
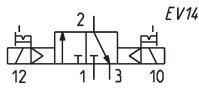
| Mod. | Symbol |
|-------------|--------|
| NA34N-15-02 | EV10 |
| NA44N-15-02 | EV12 |

5/2-way solenoid valve, monostable



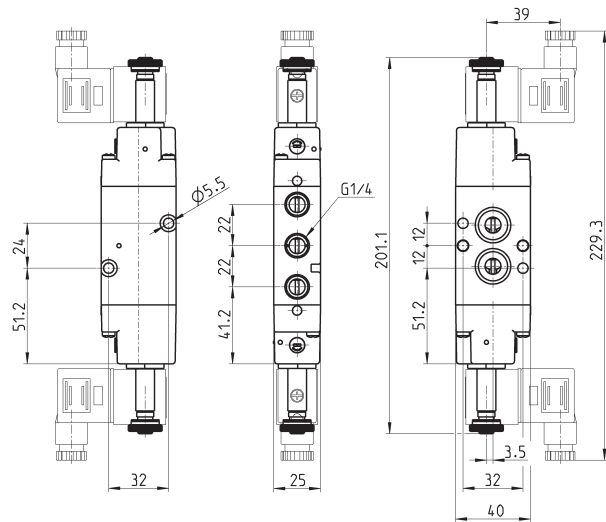
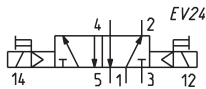
| |
|-------------|
| Mod. |
| NA54N-15-02 |

3/2-way solenoid valve, bistable



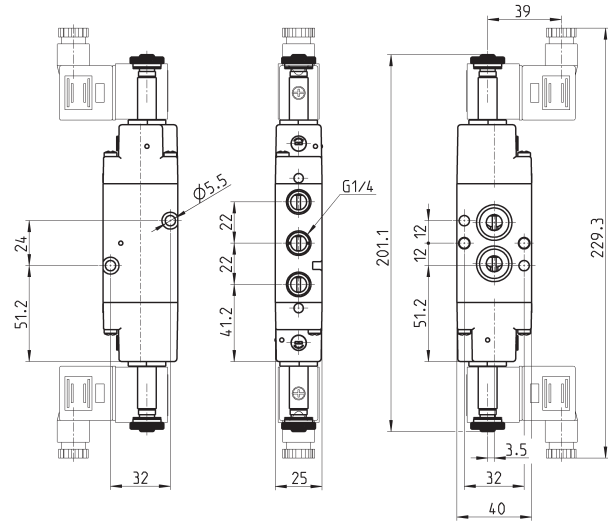
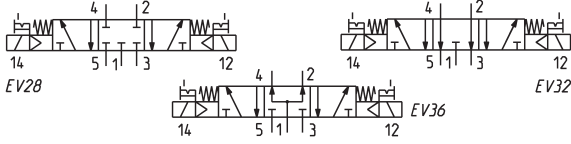
Mod.
NA34N-11-02

5/2-way, solenoid valve, bistable



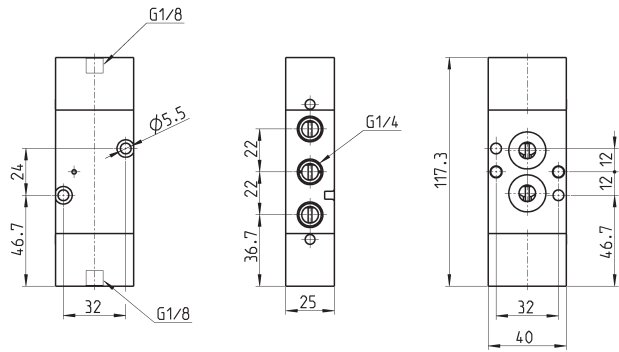
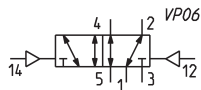
Mod.
NA54N-11-02

5/3-way solenoid valve CC CO CP



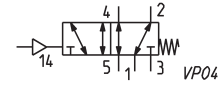
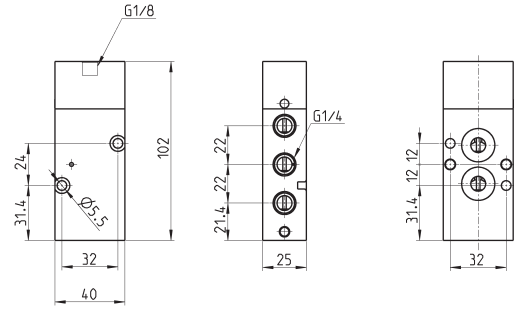
| Mod. | Symbol |
|-------------|--------|
| NA64N-11-02 | EV28 |
| NA74N-11-02 | EV32 |
| NA84N-11-02 | EV36 |

5/2-way pneumatic valve, bistable



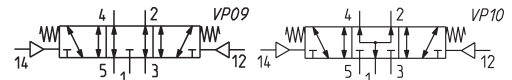
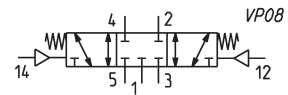
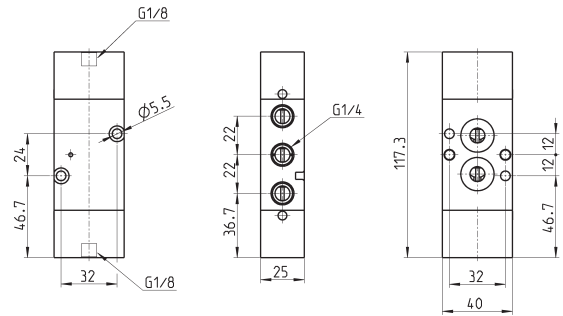
| |
|----------|
| Mod. |
| NA54N-33 |

5/2-way pneumatic valve, monostable



| | |
|------|----------|
| Mod. | NA54N-35 |
|------|----------|

5/3-way pneumatic valve CC CO CP



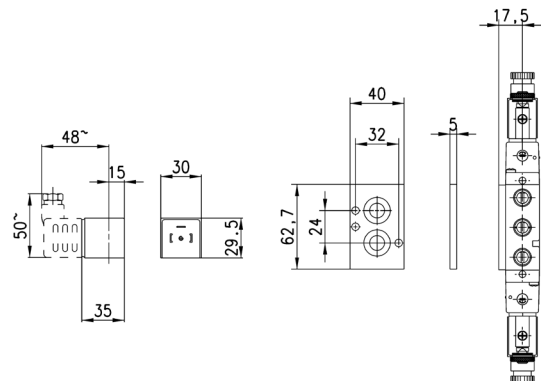
| | |
|----------|------|
| Mod. | |
| NA64N-33 | VP08 |
| NA74N-33 | VP09 |
| NA84N-33 | VP10 |

Single subbase Mod. NA54-PC



Distance plate for the mounting of Series H8 solenoids

Supplied with:
2x screws
2x O-rings



| | |
|------|---------|
| Mod. | NA54-PC |
|------|---------|