

FLEXIBLE SUCTION PAD MOUNTINGS

SERIES NPF

The vulcanisation provides flexibility in all directions.
Thread G1/4



- Flexible in all directions for optimal adaption to the workpiece (up to 12°)
- Low pivoting point which reduces the wear on the suction pad
- Rubber covered (vulcanised) metal connection for heavy loads
- Metal connection suitable for heavy loads

Series NPF flexible suction pad mounting allows a better adaption between the suction pad and the workpiece due to its flexibility in all directions.

Applications:

- Suitable for use in conjunction with larger flat suction pads on bigger workpieces which are either inclined or have a tendency to sag during the lifting operation or simply have a slightly irregular shape.
- They can be used in combination with spring plungers for further compensation in height if needed.

GENERAL DATA

Description	Flexible suction pad mounting
Materials	- Steel body - Vulcanised rubber connection

FLEXIBLE SUCTION PAD MOUNTINGS
SERIES NPF - CODING EXAMPLE

CODING EXAMPLE

NPF	-	FM	-	1/4	-	M10x1,25
------------	----------	-----------	----------	------------	----------	-----------------

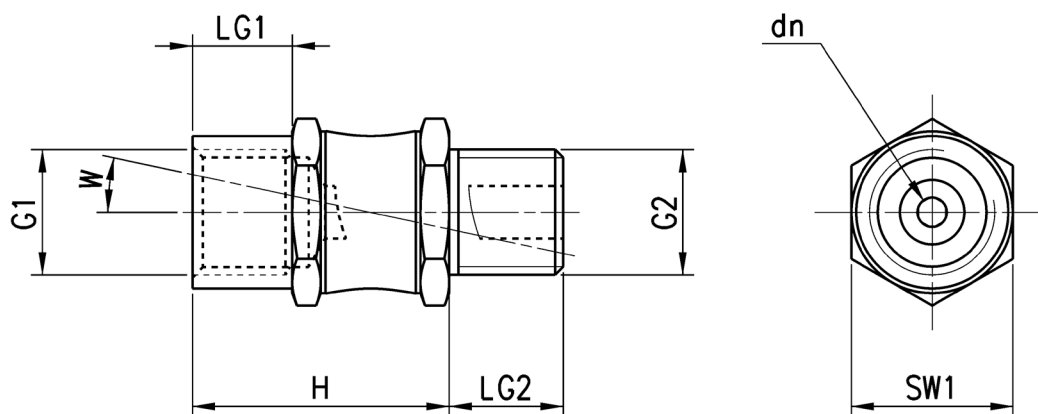
NPF	SERIES NPF = Flexible suction pad mountings
FM	THREAD VERSION FM = G1 Female / G2 Male
1/4	FEMALE THREAD G1 1/4 = G1/4
M10x1,25	MALE THREAD G2 M10x1,25 = M10x1,25 1/4 = G1/4

VACUUM TECHNOLOGY

5



* G1 = Female thread (F)
 ** G2 = Male thread (M)



Mod.	dn	G1 *	G2 **	H	LG1	LG2	SW1	W(°)	Vertical load (N)	Bending moment (Nm)	Weight [g]
NPF-FM-1/4-M10X1,25	2,8	G1/4 F	M10X1,25 M	27	10,5	8	17	12	500	8	26
NPF-FM-1/4-1/4	3	G1/4 F	G1/4 M	27	12	12	17	12	750	10	30