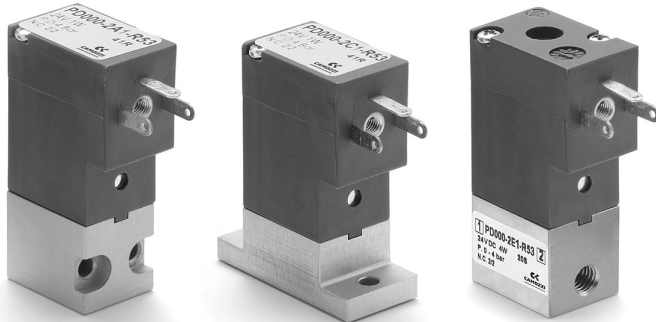


Series PD directly operated solenoid valves

2/2-way - Normally Closed (NC)

SERIES PD SOLENOID VALVES



This directly operated solenoid valve is available as 2/2-way, NC, in several sizes and in three different versions.

Please note that all Series PD solenoid valves are supplied with direct current (DC). To operate in alternating current (AC), it is necessary to use the connector with bridge rectifier Mod. 125-900.

GENERAL DATA

TECHNICAL FEATURES

Function	2/2 NC
Operation	direct acting poppet type
Pneumatic connections	on subbase by means of M3 screws - M5 threads
Nominal diameter	0.8 ... 2.5 mm
Nominal flow	25 ... 125 Nl/min (air @ 6 bar ΔP 1 bar)
Flow coefficient kv (l/min)	0.39 ... 1.93
Operating pressure	-0.9 ÷ 4 ... 12 bar
Operating temperature	0°C ÷ 50°C
Media	filtered air, class 5.4.4 according to ISO 8573-1 (max oil viscosity 32 cSt), inert gas
Response time	<15 ms
Installation	in any position

MATERIALS IN CONTACT WITH THE MEDIUM

Body	brass, anodized aluminium
Seals	NBR, (FKM on demand)
Internal parts	stainless steel

ELECTRICAL FEATURES

Voltage	24 V DC - 12 V DC - other voltages on demand
Voltage tolerance	1 and 2 W ±10% - 4 W ±5%
Power consumption	1 ... 4 W
Duty cycle	ED 100% (1 and 2 W) - ED 50% (4W) see the ED definition diagram
Electrical connection	with industrial standard connector (9.4 mm)
Protection class	IP65 with connector

Special versions available on demand

CODING EXAMPLE

PD	0	00	-	2	A	1	-	R	5	3	
PD	SERIES										
0	BODY DESIGN: 0 = single body										
00	NUMBER OF POSITIONS: 00 = interface										
2	NUMBER OF WAYS - FUNCTIONS: 2 = 2-way NC										
A	BODY MATERIALS AND VALVE PORTS: A = aluminium body, rear pneumatic interface C = aluminium body, low pneumatic interface E = brass body, M5 ports (for \varnothing up to 1.6mm)										
1	NOMINAL DIAMETER: 1 = \varnothing 0.8 2 = \varnothing 1.2 3 = \varnothing 1.6 4 = \varnothing 2 5 = \varnothing 2.5										
R	POPPET SEAL MATERIALS: R = NBR F = FKM (on request)										
5	ELECTRICAL CONNECTION: 5 = industrial standard connection (9.4 mm)										
3	SOLENOID VOLTAGE: 1 = 12V DC 1W 2 = 12V DC 2W 3 = 24V DC 1W 5 = 24V DC 2W 8 = 24V DC 4W										
	FIXING: = with screws for metal (standard) P = with screws for plastics										

ED definition diagram

Operating factor lower than 50%

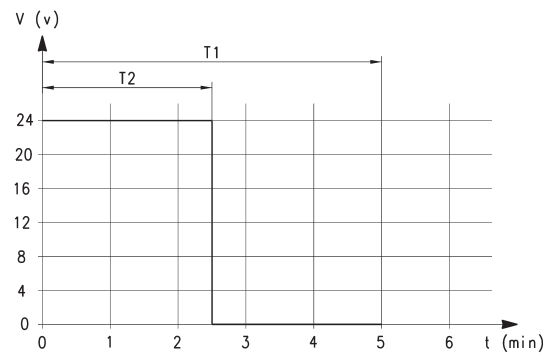
T1 = cycle time (5 minutes max)

T2 = energizing time

t = time (minutes)

V = working voltage (volt)

ED = $T2/T1 \times 100$

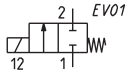
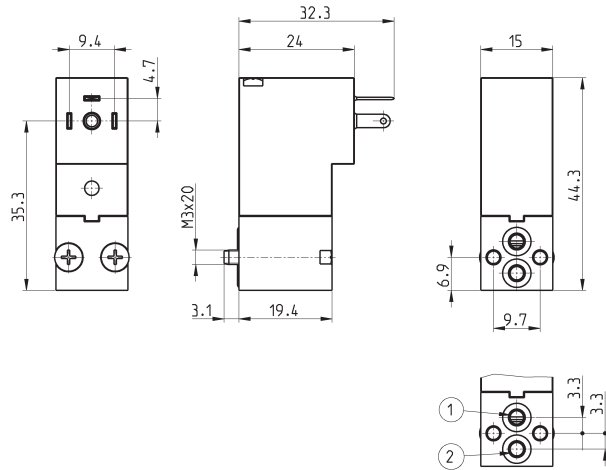


2/2-way NC solenoid valve, rear pneumatic interface



Supplied with:
2x OR seals
2x screws M3x20 UNI 8112
(fixing for metal, standard)
or
2x screws M3x23 UNI 10227
(fixing for plastics, P option)

For use with vacuum invert channel 1 and channel 2.



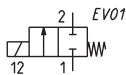
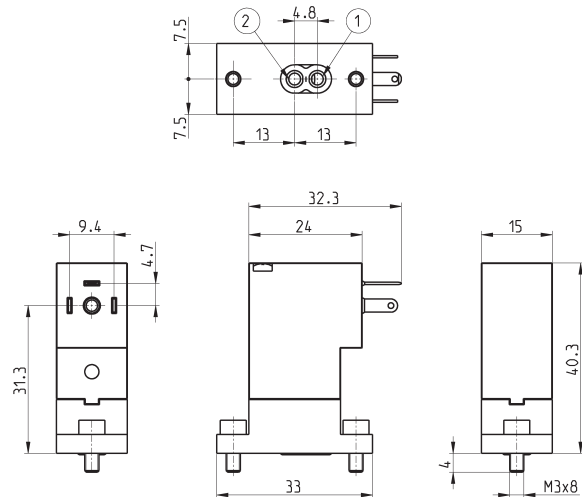
Mod.	Orifice Ø (mm)	kv (l/min)	Qn (NI/min)	Pressure min-max (bar)	Power consumption (W)	ED (%)
PD000-2A1-R51	0.8	0.39	25	0 ÷ 12	1	100
PD000-2A1-R53	0.8	0.39	25	0 ÷ 12	1	100
PD000-2A2-R52	1.2	0.54	35	0 ÷ 12	2	100
PD000-2A2-R55	1.2	0.54	35	0 ÷ 12	2	100
PD000-2A3-R52	1.6	0.70	45	0 ÷ 7	2	100
PD000-2A3-R55	1.6	0.70	45	0 ÷ 7	2	100
PD000-2A4-R58	2	1.31	85	0 ÷ 6	4	50
PD000-2A5-R58	2.5	1.93	-	0 ÷ 4	4	50

2/2-way NC solenoid valve, low pneumatic interface



Supplied with:
1x seal
2x screws M3x8 UNI 5931

For use with vacuum invert channel 1 and channel 2.

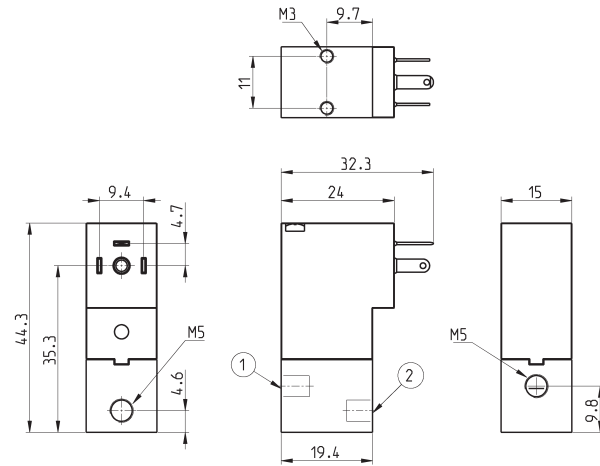
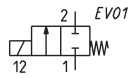


Mod.	Orifice Ø (mm)	kv (l/min)	Qn (NI/min)	Pressure min-max (bar)	Power consumption (W)	ED (%)
PD000-2C1-R51	0.8	0.39	25	0 ÷ 12	1	100
PD000-2C1-R53	0.8	0.39	25	0 ÷ 12	1	100
PD000-2C2-R52	1.2	0.54	35	0 ÷ 12	2	100
PD000-2C2-R55	1.2	0.54	35	0 ÷ 12	2	100
PD000-2C3-R52	1.6	0.70	45	0 ÷ 7	2	100
PD000-2C3-R55	1.6	0.70	45	0 ÷ 7	2	100
PD000-2C4-R58	2	1.31	85	0 ÷ 6	4	50
PD000-2C5-R58	2.5	1.93	-	0 ÷ 4	4	50

2/2-way NC solenoid valve, M5 ports

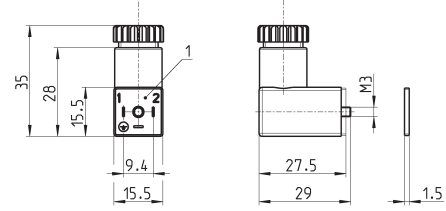


For use with vacuum invert channel 1 and channel 2.



Mod.	Orifice \varnothing (mm)	kv (l/min)	Qn (NI/min)	Pressure min-max (bar)	Power consumption (W)	ED (%)
PD000-2E1-R51	0.8	0.39	25	0 ÷ 12	1	100
PD000-2E1-R53	0.8	0.39	25	0 ÷ 12	1	100
PD000-2E2-R52	1.2	0.54	35	0 ÷ 12	2	100
PD000-2E2-R55	1.2	0.54	35	0 ÷ 12	2	100
PD000-2E3-R52	1.6	0.70	45	0 ÷ 7	2	100
PD000-2E3-R55	1.6	0.70	45	0 ÷ 7	2	100

Industrial standard (9.4 mm) connector Mod. 125-...



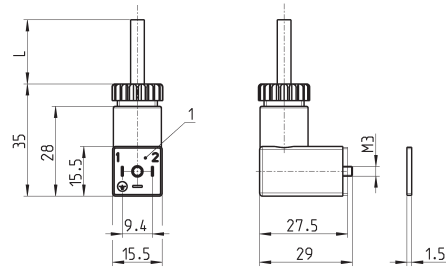
Mod.	description	colour	working voltage	cable holding	tightening torque
125-601	connector, diode + Led	transparent	10/50 V DC	PG7	0.3 Nm
125-701	connector, varistor + Led	transparent	24 V AC/DC	PG7	0.3 Nm
125-800	connector, without electronics	black	-	PG7	0.3 Nm

1 = 90° adjustable connector

Industrial standard (9.4 mm) connector Mod. 125-... with cable



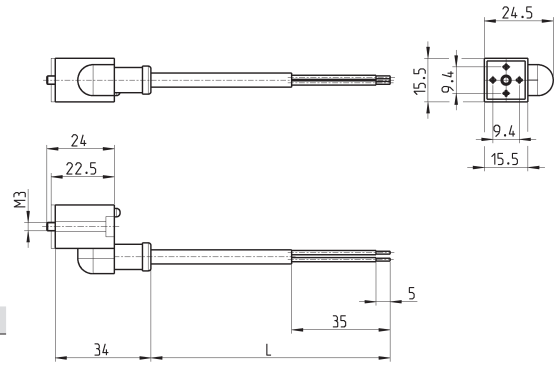
The internal rectifier circuit of the connector Mod. 125-900 allows to use solenoid valves with different AC voltage, even if the voltage indicated on the solenoid valve is DC.



Mod.	description	colour	working voltage	cable length [L]	cable holding	tightening torque
125-501-2	moulded cable with diode + Led	black	10/50 V DC	2000 mm	-	0.3 Nm
125-550-1	moulded cable, without electronics	black	-	1000 mm	-	0.3 Nm
125-601-2	pre-wired cable, diode + Led	transparent	10/50 V DC	2000 mm	PG7	0.3 Nm
125-571-3	moulded cable, varistor + Led	black	24 V AC/DC	3000 mm	-	0.3 Nm
125-900	pre-wired cable with voltage rectifier	black	6 V - 110 V AC/DC	2000 mm	PG7	0.3 Nm

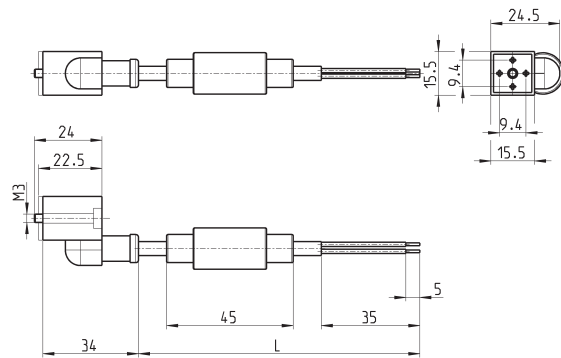
1 = 90° adjustable connector

Industrial standard (9.4 mm) in-line connectors with cable



Mod.	description	colour	working voltage	cable length [L]	cable holding	tightening torque
125-503-2	in-line moulded cable, with diode + Led	black	24 V DC	2000 mm	-	0.3 Nm
125-503-5	in-line moulded cable, with diode + Led	black	24 V DC	5000 mm	-	0.3 Nm
125-553-2	in-line moulded cable, without electronics	black	-	2000 mm	-	0.3 Nm
125-553-5	in-line moulded cable, without electronics	black	-	5000 mm	-	0.3 Nm

Industrial standard (9.4 mm) in-line connectors with bridge rectifier



Mod.	description	colour	working voltage	cable length [L]	cable holding	tightening torque
125-903-2	in-line moulded cable with voltage rectifier	black	6 V - 230 V AC/DC	2000 mm	-	0.3 Nm
125-903-5	in-line moulded cable with voltage rectifier	black	6 V - 230 V AC/DC	5000 mm	-	0.3 Nm