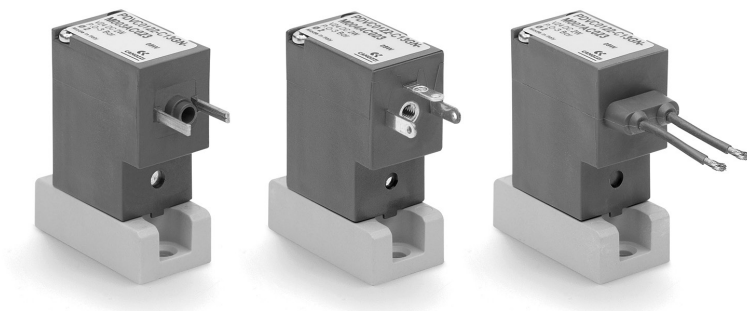


Media separated solenoid valves

Series PDV

2/2-way - Normally Closed (NC)



- » Suitable to be used with neutral or aggressive fluids
- » Suitable for specific applications on medical and analytical equipment or instruments
- » Compact design

To choose the most suitable model for a specific application, check the chemical compatibility of the medium with the available materials of body and seals.

Series PDV direct acting solenoid valve is available with several nominal diameters and in three different versions according to the electrical connection. Moreover, the fluid separation membrane protects the medium from extreme changes of temperature due to heating of the solenoid.

GENERAL DATA

TECHNICAL FEATURES

Function	2/2 NC
Operation	direct acting with fluid separation membrane
Pneumatic connections	on subbase
Orifice diameter	0.8 ... 2 mm
Flow coefficient kv (l/min)	0.25 ... 0.8
Operating pressure	0 ... 7 bar
Operating temperature	10 ÷ 50 °C (FKM/EPDM) / 20 ÷ 50 °C (FFKM)
Media	inert or corrosive liquids and gases compatible with the materials in contact
Response time	≤ 15 ms
Installation	in any position

MATERIALS IN CONTACT WITH THE MEDIUM

Body	PEEK
Seals	FKM - EPDM - FFKM

ELECTRICAL FEATURES

Voltage	12 ... 24 V DC - other voltages on demand
Voltage tolerance	±10%
Power consumption	2 W
Duty cycle	ED 100%
Electrical connection	industrial standard (9.4 mm), DIN EN 175 301-803-C (8 mm), 300 mm flying leads
Protection class	IP65 with connector

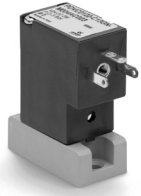
Special versions available on request

CODING EXAMPLE

PDV	C0	1	22	-	B7	3	G	N	-	M	00	4A	C023
------------	-----------	----------	-----------	----------	-----------	----------	----------	----------	----------	----------	-----------	-----------	-------------

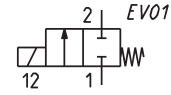
PDV	SERIES												
C0	BODY DESIGN C0 = body with interface for subbase												
1	NUMBER OF WAYS - FUNCTIONS 1 = 2/2-way - NC												
22	PNEUMATIC CONNECTIONS 22 = PDV-type interface, 2-way												
B7	ORIFICE DIAMETER A7 = Ø 0.8 mm B3 = Ø 1.2 mm B7 = Ø 1.6 mm C1 = Ø 2.0 mm												
3	SEAL MATERIAL 3 = FKM 4 = EPDM 5 = FFKM												
G	BODY MATERIAL G = PEEK												
N	MANUAL OVERRIDE N = not foreseen												
M	FIXING M = fixing screws for metal												
00	OPTIONS 00 = none												
4A	ELECTRICAL CONNECTION 3A = DIN EN 175 301-803-C (8 mm) 4A = industrial standard form C (9.4 mm) (9.4 mm) 7A = 300 mm flying leads						3C = DIN EN 175 301-803-C (8 mm) with coil rotated 180° 4C = industrial standard form C (9.4 mm) with coil rotated 180° 7C = 300 mm flying leads with coil rotated 180°						
C023	VOLTAGE - POWER CONSUMPTION C020 = 12 V DC - 2 W C023 = 24 V DC - 2 W												
	OPTIONS = standard OX2 = for oxygen (non-volatile residue less than 33 mg / m2)												

Series PDV solenoid valve - 2/2-way NC - industrial standard (9.4 mm)

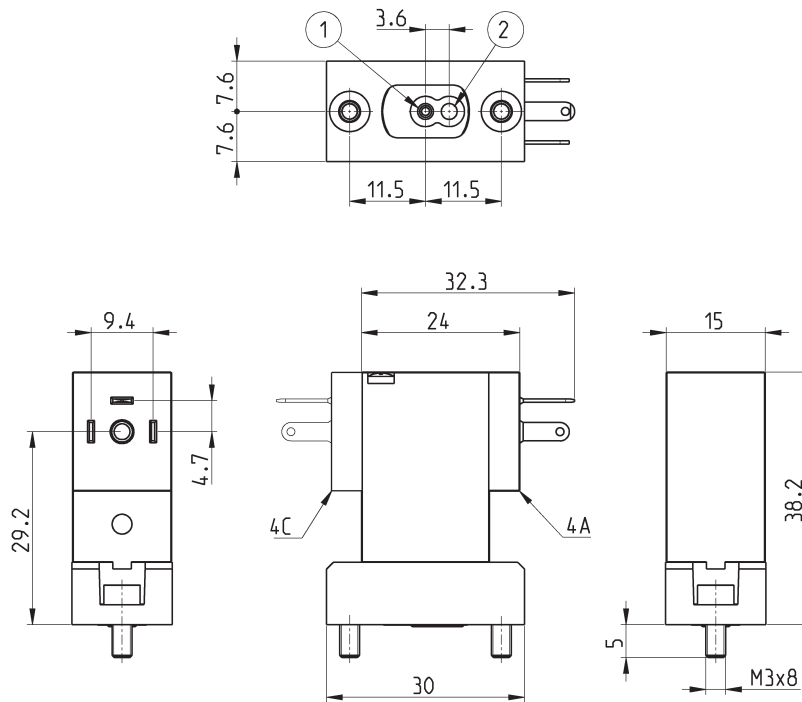


Supplied with:
1x interface seal
2x M3x8 screws for mounting on metal

* add
- ELECTRICAL CONNECTION
- VOLTAGE
(see CODING EXAMPLE)



1 = inlet
2 = outlet



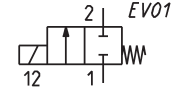
Mod.	Orifice Ø (mm)	kv (l/min)	Min ÷ max pressure (bar)	Maximum back pressure (bar)	Body material	Seal material
PDVC0122-A73GN-M00*	0,8	0,25	0 ÷ 7,0	1,2	PEEK	FKM
PDVC0122-A74GN-M00*	0,8	0,25	0 ÷ 7,0	1,2	PEEK	EPDM
PDVC0122-A75GN-M00*	0,8	0,25	0 ÷ 3,0	0,6	PEEK	FFKM
PDVC0122-B33GN-M00*	1,2	0,55	0 ÷ 4,5	1,2	PEEK	FKM
PDVC0122-B34GN-M00*	1,2	0,55	0 ÷ 4,5	1,2	PEEK	EPDM
PDVC0122-B35GN-M00*	1,2	0,55	0 ÷ 2,5	0,8	PEEK	FFKM
PDVC0122-B73GN-M00*	1,6	0,65	0 ÷ 4,0	1,2	PEEK	FKM
PDVC0122-B74GN-M00*	1,6	0,65	0 ÷ 4,0	1,2	PEEK	EPDM
PDVC0122-B75GN-M00*	1,6	0,65	0 ÷ 1,8	0,8	PEEK	FFKM
PDVC0122-C13GN-M00*	2,0	0,80	0 ÷ 3,0	1,2	PEEK	FKM
PDVC0122-C14GN-M00*	2,0	0,80	0 ÷ 3,0	1,2	PEEK	EPDM
PDVC0122-C15GN-M00*	2,0	0,80	0 ÷ 1,2	0,8	PEEK	FFKM

Series PDV solenoid valve - 2/2-way NC - DIN EN 175 301-803-C (8 mm)

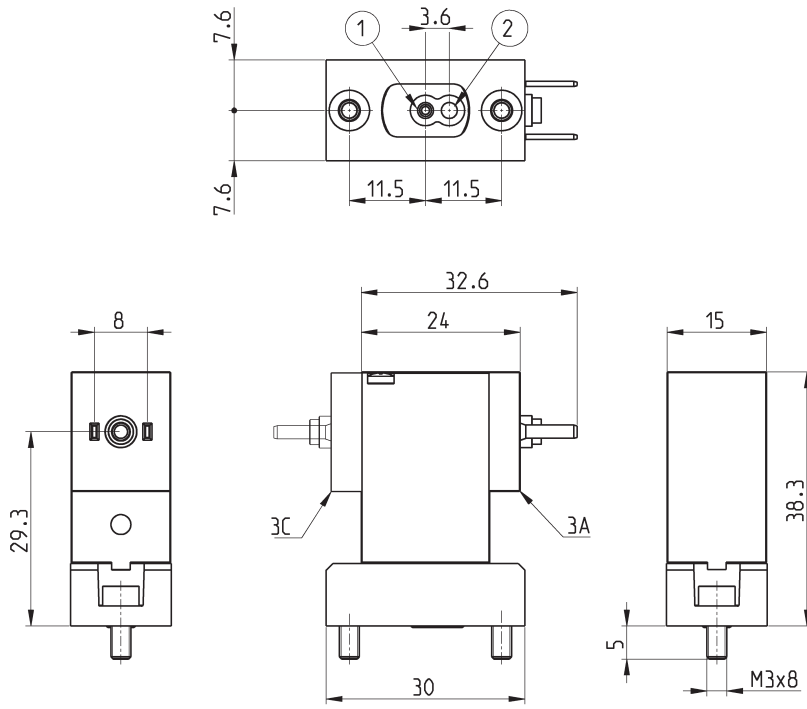


Supplied with:
1x interface seal
2x M3x8 screws for mounting on metal

* add
- ELECTRICAL CONNECTION
- VOLTAGE
(see CODING EXAMPLE)

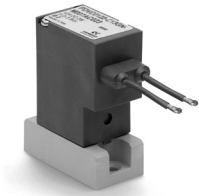


1 = inlet
2 = outlet



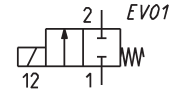
Mod.	Orifice Ø (mm)	kv (l/min)	Min ÷ max pressure (bar)	Maximum back pressure (bar)	Body material	Seal material
PDVC0122-A73GN-M00*	0,8	0,25	0 ÷ 7,0	1,2	PEEK	FKM
PDVC0122-A74GN-M00*	0,8	0,25	0 ÷ 7,0	1,2	PEEK	EPDM
PDVC0122-A75GN-M00*	0,8	0,25	0 ÷ 3,0	0,6	PEEK	FFKM
PDVC0122-B33GN-M00*	1,2	0,55	0 ÷ 4,5	1,2	PEEK	FKM
PDVC0122-B34GN-M00*	1,2	0,55	0 ÷ 4,5	1,2	PEEK	EPDM
PDVC0122-B35GN-M00*	1,2	0,55	0 ÷ 2,5	0,8	PEEK	FFKM
PDVC0122-B73GN-M00*	1,6	0,65	0 ÷ 4,0	1,2	PEEK	FKM
PDVC0122-B74GN-M00*	1,6	0,65	0 ÷ 4,0	1,2	PEEK	EPDM
PDVC0122-B75GN-M00*	1,6	0,65	0 ÷ 1,8	0,8	PEEK	FFKM
PDVC0122-C13GN-M00*	2,0	0,80	0 ÷ 3,0	1,2	PEEK	FKM
PDVC0122-C14GN-M00*	2,0	0,80	0 ÷ 3,0	1,2	PEEK	EPDM
PDVC0122-C15GN-M00*	2,0	0,80	0 ÷ 1,2	0,8	PEEK	FFKM

Series PDV solenoid valve - 2/2-way NC - 300 mm flying leads

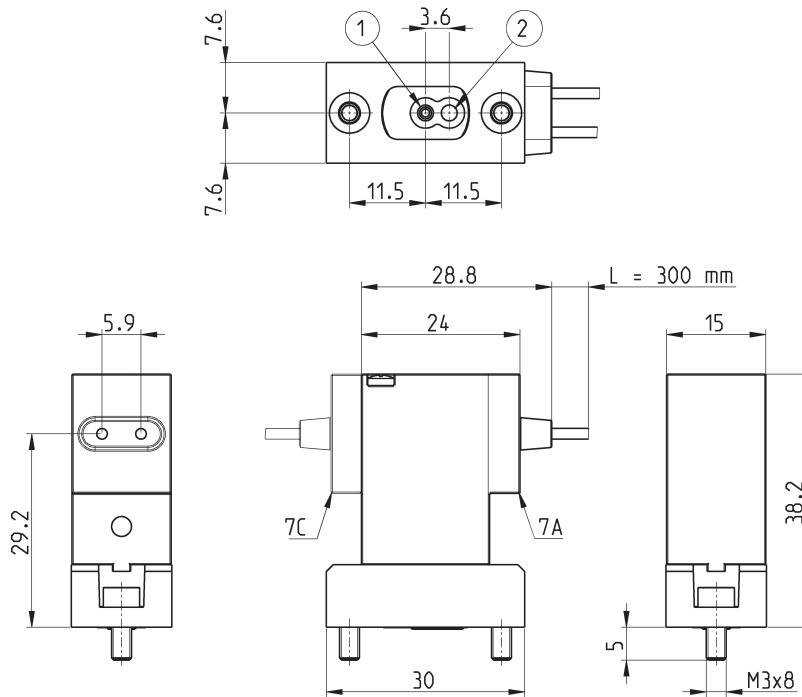


Supplied with:
1x interface seal
2x M3x8 screws for mounting on metal

* add
- ELECTRICAL CONNECTION
- VOLTAGE
(see CODING EXAMPLE)



1 = inlet
2 = outlet

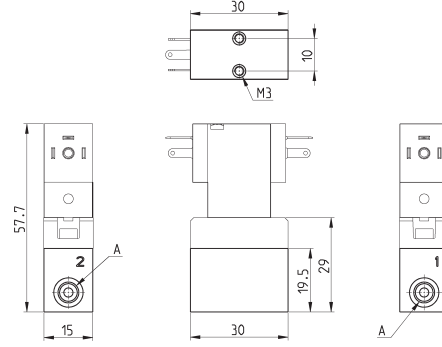


Mod.	Orifice Ø (mm)	kv (l/min)	Min ÷ max pressure (bar)	Maximum back pressure (bar)	Body material	Seal material
PDVC0122-A73GN-M00*	0,8	0,25	0 ÷ 7,0	1,2	PEEK	FKM
PDVC0122-A74GN-M00*	0,8	0,25	0 ÷ 7,0	1,2	PEEK	EPDM
PDVC0122-A75GN-M00*	0,8	0,25	0 ÷ 3,0	0,6	PEEK	FFKM
PDVC0122-B33GN-M00*	1,2	0,55	0 ÷ 4,5	1,2	PEEK	FKM
PDVC0122-B34GN-M00*	1,2	0,55	0 ÷ 4,5	1,2	PEEK	EPDM
PDVC0122-B35GN-M00*	1,2	0,55	0 ÷ 2,5	0,8	PEEK	FFKM
PDVC0122-B73GN-M00*	1,6	0,65	0 ÷ 4,0	1,2	PEEK	FKM
PDVC0122-B74GN-M00*	1,6	0,65	0 ÷ 4,0	1,2	PEEK	EPDM
PDVC0122-B75GN-M00*	1,6	0,65	0 ÷ 1,8	0,8	PEEK	FFKM
PDVC0122-C13GN-M00*	2,0	0,80	0 ÷ 3,0	1,2	PEEK	FKM
PDVC0122-C14GN-M00*	2,0	0,80	0 ÷ 3,0	1,2	PEEK	EPDM
PDVC0122-C15GN-M00*	2,0	0,80	0 ÷ 1,2	0,8	PEEK	FFKM

Single subbase for Series PDV solenoid valve

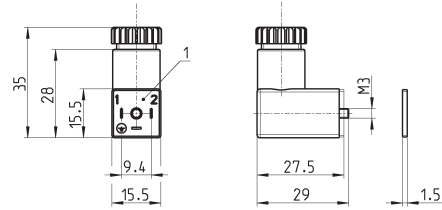


Material: PEEK
Connections: M5 or 1/4-28 UNF threads



Mod.	Thread A
PDV001-1/4	1/4 - 28 UNF
PDV001-M5	M5

Connector Mod. 125-... - industrial std. 9.4 mm



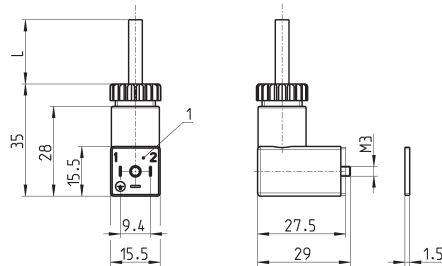
Mod.	description	colour	working voltage	cable gland	tightening torque
125-601	connector, diode + Led	transparent	10/50 V DC	PG7	0,3 Nm
125-701	connector, varistor + Led	transparent	24 V AC/DC	PG7	0,3 Nm
125-800	connector, without electronics	black	-	PG7	0,3 Nm

1 = 90° adjustable connector

Connector Mod. 125-... - industrial std. 9.4 mm - 90° cable



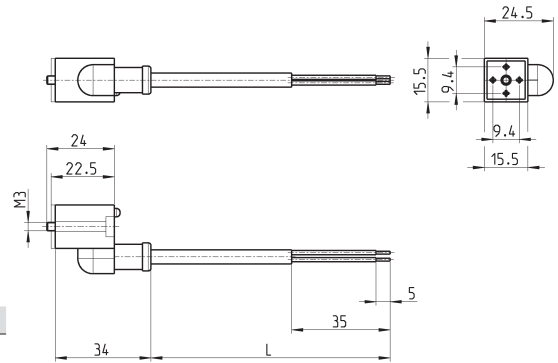
The internal rectifier circuit of the connector Mod. 125-900 allows to use solenoid valves with different AC voltage, even if the voltage indicated on the solenoid valve is DC.



Mod.	description	colour	working voltage	cable length [L]	cable gland	tightening torque
125-501-2	moulded cable with diode + Led	black	10/50 V DC	2000 mm	-	0,3 Nm
125-550-1	moulded cable, without electronics	black	-	1000 mm	-	0,3 Nm
125-601-2	pre-wired cable, diode + Led	transparent	10/50 V DC	2000 mm	PG7	0,3 Nm
125-571-3	moulded cable, varistor + Led	black	24 V AC/DC	3000 mm	-	0,3 Nm
125-900	pre-wired cable with voltage rectifier	black	6 V - 110 V AC/DC	2000 mm	PG7	0,3 Nm

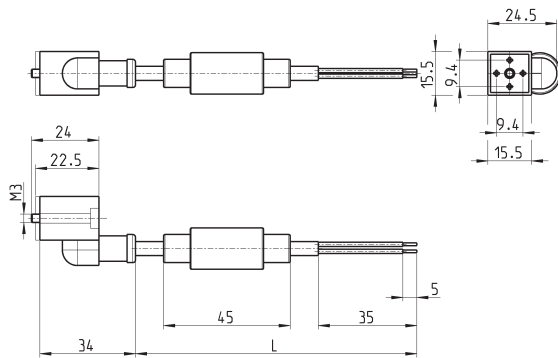
1 = 90° adjustable connector

Connector Mod. 125-... - industrial std. 9.4 mm - in-line cable



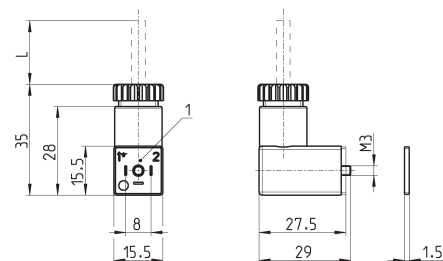
Mod.	description	colour	working voltage	cable length [L]	cable gland	tightening torque
125-503-2	in-line moulded cable, with diode + Led	black	24 V DC	2000 mm	-	0,3 Nm
125-503-5	in-line moulded cable, with diode + Led	black	24 V DC	5000 mm	-	0,3 Nm
125-553-2	in-line moulded cable, without electronics	black	-	2000 mm	-	0,3 Nm
125-553-5	in-line moulded cable, without electronics	black	-	5000 mm	-	0,3 Nm

Conn. Mod. 125-... - ind. std. 9.4 mm - in-line cable+rectifier



Mod.	description	colour	working voltage	cable length [L]	cable gland	tightening torque
125-903-2	in-line moulded cable with voltage rectifier	black	6 V - 230 V AC/DC	2000 mm	-	0,3 Nm
125-903-5	in-line moulded cable with voltage rectifier	black	6 V - 230 V AC/DC	5000 mm	-	0,3 Nm

Connector Mod. 126-... - DIN EN 175 301-803-C (8 mm)



Mod.	description	colour	working voltage	cable length [L]	cable gland	tightening torque
126-550-1	moulded cable, without electronics	black	-	1000 mm	-	0,3 Nm
126-800	connector, without electronics	black	-	-	PG7	0,3 Nm
126-701	connector, varistor + Led	transparent	24 V AC/DC	-	PG7	0,3 Nm

1 = 90° adjustable connector