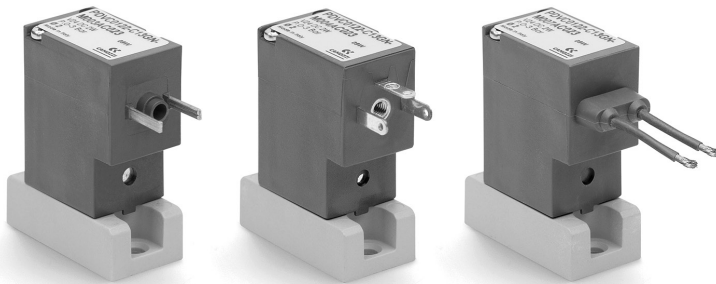


# Series PDV directly operated solenoid valves with fluid separation membrane

2/2-way - Normally Closed (NC)

SERIES PDV SOLENOID VALVES



- » Suitable to be used with neutral or aggressive fluids
- » Suitable for specific applications on medical and analytical equipment or instruments
- » Compact design

To choose the most suitable model for a specific application, check the chemical compatibility of the medium to control with the available materials of body and seals.

Series PDV directly operated solenoid valve is available with several nominal diameters and in three different versions according to the electrical connection. Moreover, the fluid separation membrane protects the medium from extreme changes of temperature due to heating of the solenoid.

## GENERAL DATA

### TECHNICAL FEATURES

Function	2/2 NC
Operation	directly operated with fluid separation membrane
Pneumatic connections	on subbase by means of M3 screws
Nominal diameter	0.8 ... 2 mm
Nominal flow	see kv
Flow coefficient kv (l/min)	0.25 ... 0.8
Operating pressure	0 ... 7 bar
Operating temperature	10°C ÷ 50°C
Media	gas and liquids: air, water, reagents, solvents, etc...
Response time (ISO 12238)	≤ 15 ms
Installation	in any position

### MATERIALS IN CONTACT WITH THE MEDIUM

Body	PEEK
Seals	FKM - EPDM

### ELECTRICAL FEATURES

Voltage	24 V DC - 12 V DC - other voltages on request
Voltage tolerance	±10%
Power consumption	2 W
Duty cycle	ED 100%
Electrical connection	industrial standard (9.4 mm), DIN EN 175 301-803-C (8 mm), cable L = 300 mm
Protection class	IP65 with connector

Special versions available on request

**CODING EXAMPLE**

<b>PDV</b>	<b>C0</b>	<b>1</b>	<b>22</b>	<b>-</b>	<b>B7</b>	<b>3</b>	<b>G</b>	<b>N</b>	<b>-</b>	<b>M</b>	<b>00</b>	<b>4A</b>	<b>C023</b>
------------	-----------	----------	-----------	----------	-----------	----------	----------	----------	----------	----------	-----------	-----------	-------------

<b>PDV</b>	SERIES												
<b>C0</b>	BODY DESIGN: C0 = body with interface for subbase												
<b>1</b>	NUMBER OF WAYS - FUNCTIONS: 1 = 2/2-way NC												
<b>22</b>	PNEUMATIC CONNECTIONS: 22 = PDV-type interface, 2-way												
<b>B7</b>	NOMINAL DIAMETER: A7 = $\varnothing$ 0.8 mm B3 = $\varnothing$ 1.2 mm B7 = $\varnothing$ 1.6 mm C1 = $\varnothing$ 2.0 mm												
<b>3</b>	SEAL MATERIAL: 3 = FKM 4 = EPDM												
<b>G</b>	BODY MATERIAL: G = PEEK												
<b>N</b>	MANUAL OVERRIDE: N = not foreseen												
<b>M</b>	FIXING ACCESSORIES: M = screws for metal												
<b>00</b>	OPTIONS: 00 = none												
<b>4A</b>	ELECTRICAL CONNECTION: 3A = DIN EN 175 301-803-C (8 mm) 4A = industrial standard (9.4 mm) 7A = cables (L = 300 mm)  3C = DIN EN 175 301-803-C (8 mm) with coil rotated 180° 4C = industrial standard (9.4 mm) with coil rotated 180° 7C = cables (L = 300 mm) with coil rotated 180°												
<b>C023</b>	VOLTAGE - POWER CONSUMPTION: C017 = 6V DC 2W C020 = 12V DC 2W C023 = 24V DC 2W												

SERIES PDV SOLENOID VALVES

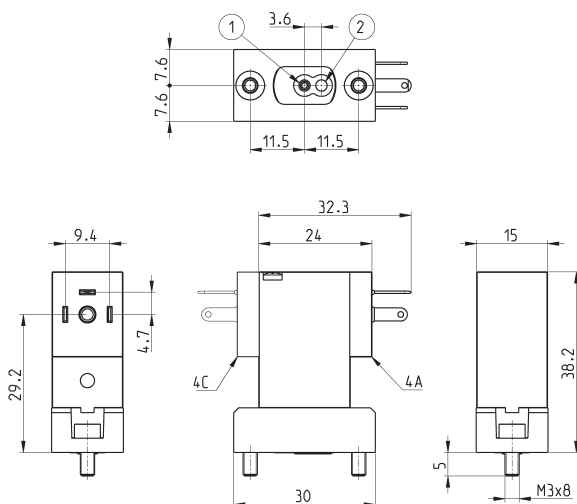
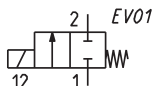
**2/2 NC solenoid valve, industrial standard (9.4 mm)**



Supplied with:  
1x seal  
2x M3x8 UNI 5931 screws

NOTE IN THE TABLE BELOW:  
\* to complete the code, add ELECTRICAL CONNECTION (4A or 4C options) and VOLTAGE (see CODING EXAMPLE)

NOTE IN THE DRAWING:  
1 = INLET PORT  
2 = OUTLET PORT



Mod.	Orifice $\varnothing$ (mm)	kv (l/min)	Min/max pressure (bar)	Max back pressure (bar)	Body material	Seal material
PDVC0122-A73GN-M00*	0.8	0.25	0 ÷ 7.0	1.2	PEEK	FKM
PDVC0122-A74GN-M00*	0.8	0.25	0 ÷ 7.0	1.2	PEEK	EPDM
PDVC0122-B33GN-M00*	1.2	0.55	0 ÷ 4.5	1.2	PEEK	FKM
PDVC0122-B34GN-M00*	1.2	0.55	0 ÷ 4.5	1.2	PEEK	EPDM
PDVC0122-B73GN-M00*	1.6	0.65	0 ÷ 4.0	1.2	PEEK	FKM
PDVC0122-B74GN-M00*	1.6	0.65	0 ÷ 4.0	1.2	PEEK	EPDM
PDVC0122-C13GN-M00*	2.0	0.80	0 ÷ 3.0	1.2	PEEK	FKM
PDVC0122-C14GN-M00*	2.0	0.80	0 ÷ 3.0	1.2	PEEK	EPDM

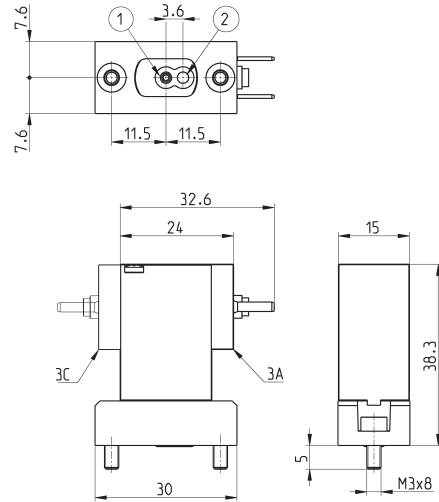
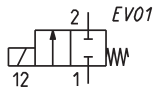
**2/2 NC solenoid valve, DIN EN 175 301-803-C (8 mm)**



Supplied with:  
1x seal  
2x M3x8 UNI 5931 screws

NOTE IN THE TABLE BELOW:  
\* to complete the code, add  
ELECTRICAL CONNECTION  
(3A or 3C options)  
and VOLTAGE  
(see CODING EXAMPLE)

NOTE IN THE DRAWING:  
1 = INLET PORT  
2 = OUTLET PORT



Mod.	Orifice Ø (mm)	kv (l/min)	Min/max pressure (bar)	Max back pressure (bar)	Body material	Seal material
PDVC0122-A73GN-M00*	0.8	0.25	0 ÷ 7.0	1.2	PEEK	FKM
PDVC0122-A74GN-M00*	0.8	0.25	0 ÷ 7.0	1.2	PEEK	EPDM
PDVC0122-B33GN-M00*	1.2	0.55	0 ÷ 4.5	1.2	PEEK	FKM
PDVC0122-B34GN-M00*	1.2	0.55	0 ÷ 4.5	1.2	PEEK	EPDM
PDVC0122-B73GN-M00*	1.6	0.65	0 ÷ 4.0	1.2	PEEK	FKM
PDVC0122-B74GN-M00*	1.6	0.65	0 ÷ 4.0	1.2	PEEK	EPDM
PDVC0122-C13GN-M00*	2.0	0.80	0 ÷ 3.0	1.2	PEEK	FKM
PDVC0122-C14GN-M00*	2.0	0.80	0 ÷ 3.0	1.2	PEEK	EPDM

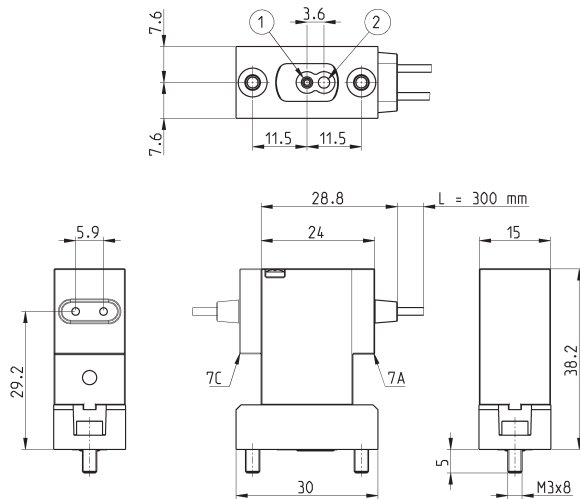
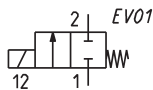
**2/2 NC solenoid valve, electrical connection with 300mm cable**



Supplied with:  
1x seal  
2x M3x8 UNI 5931 screws

NOTE IN THE TABLE BELOW:  
\* to complete the code, add  
ELECTRICAL CONNECTION  
(7A or 7C options)  
and VOLTAGE  
(see CODING EXAMPLE)

NOTE IN THE DRAWING:  
1 = INLET PORT  
2 = OUTLET PORT

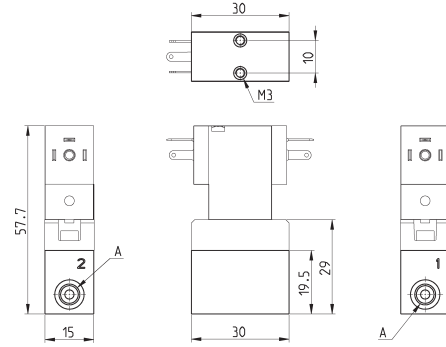


Mod.	Orifice Ø (mm)	kv (l/min)	Min/max pressure (bar)	Max back pressure (bar)	Body material	Seal material
PDVC0122-A73GN-M00*	0.8	0.25	0 ÷ 7.0	1.2	PEEK	FKM
PDVC0122-A74GN-M00*	0.8	0.25	0 ÷ 7.0	1.2	PEEK	EPDM
PDVC0122-B33GN-M00*	1.2	0.55	0 ÷ 4.5	1.2	PEEK	FKM
PDVC0122-B34GN-M00*	1.2	0.55	0 ÷ 4.5	1.2	PEEK	EPDM
PDVC0122-B73GN-M00*	1.6	0.65	0 ÷ 4.0	1.2	PEEK	FKM
PDVC0122-B74GN-M00*	1.6	0.65	0 ÷ 4.0	1.2	PEEK	EPDM
PDVC0122-C13GN-M00*	2.0	0.80	0 ÷ 3.0	1.2	PEEK	FKM
PDVC0122-C14GN-M00*	2.0	0.80	0 ÷ 3.0	1.2	PEEK	EPDM

**Single subbase for Series PDV solenoid valve**

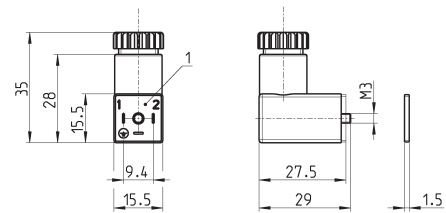


Material: PEEK  
Pneumatic connections: M5 or 1/4-28 UNF



Mod.	A (pneumatic connections)
PDV001-1/4	1/4 - 28 UNF
PDV001-M5	M5

**Industrial standard (9.4 mm) connector Mod. 125-...**



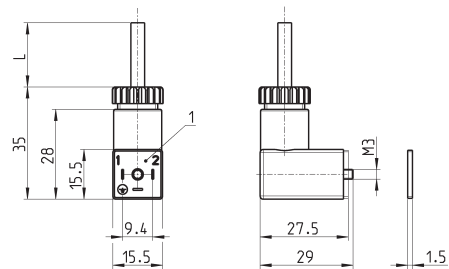
Mod.	description	colour	working voltage	cable holding	tightening torque
125-601	connector, diode + Led	transparent	10/50 V DC	PG7	0.3 Nm
125-701	connector, varistor + Led	transparent	24 V AC/DC	PG7	0.3 Nm
125-800	connector, without electronics	black	-	PG7	0.3 Nm

1 = 90° adjustable connector

**Industrial standard (9.4 mm) connector Mod. 125-... with cable**



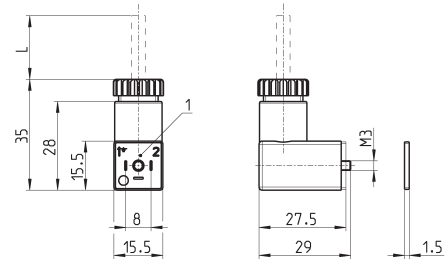
The internal rectifier circuit of the connector Mod. 125-900 allows to use solenoid valves with different AC voltage, even if the voltage indicated on the solenoid valve is DC.



Mod.	description	colour	working voltage	cable length [L]	cable holding	tightening torque
125-501-2	moulded cable with diode + Led	black	10/50 V DC	2000 mm	-	0.3 Nm
125-550-1	moulded cable, without electronics	black	-	1000 mm	-	0.3 Nm
125-601-2	pre-wired cable, diode + Led	transparent	10/50 V DC	2000 mm	PG7	0.3 Nm
125-571-3	moulded cable, varistor + Led	black	24 V AC/DC	3000 mm	-	0.3 Nm
125-900	pre-wired cable with voltage rectifier	black	6 V - 110 V AC/DC	2000 mm	PG7	0.3 Nm

1 = 90° adjustable connector

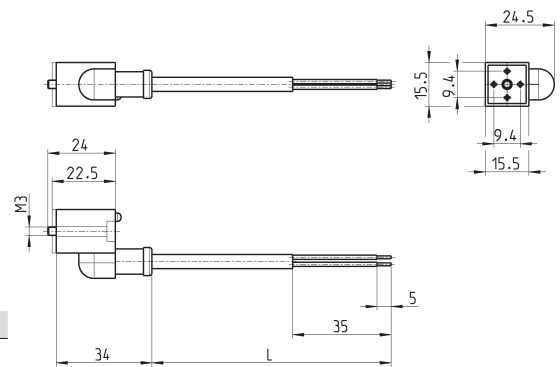
### Connector Mod. 126-... DIN EN 175 301-803-C (8 mm)



1 = 90° adjustable connector

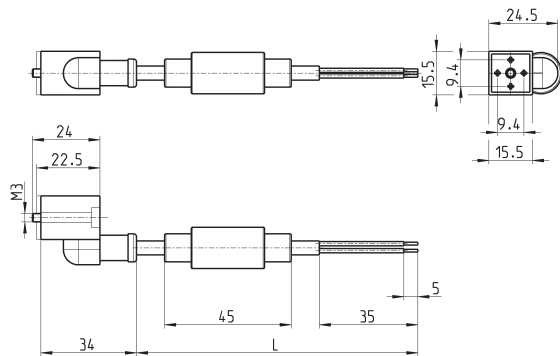
Mod.	description	colour	working voltage	cable length [L]	cable holding	tightening torque
126-550-1	moulded cable, without electronics	black	-	1000 mm	-	0.3 Nm
126-800	connector, without electronics	black	-	-	PG7	0.3 Nm
126-701	connector, varistor + Led	transparent	24 V AC/DC	-	PG7	0.3 Nm

### Industrial standard (9.4 mm) in-line connectors with cable



Mod.	description	colour	working voltage	cable length [L]	cable holding	tightening torque
125-503-2	in-line moulded cable, with diode + Led	black	24 V DC	2000 mm	-	0.3 Nm
125-503-5	in-line moulded cable, with diode + Led	black	24 V DC	5000 mm	-	0.3 Nm
125-553-2	in-line moulded cable, without electronics	black	-	2000 mm	-	0.3 Nm
125-553-5	in-line moulded cable, without electronics	black	-	5000 mm	-	0.3 Nm

### Industrial standard (9.4 mm) in-line connectors with bridge rectifier



Mod.	description	colour	working voltage	cable length [L]	cable holding	tightening torque
125-903-2	in-line moulded cable with voltage rectifier	black	6 V - 230 V AC/DC	2000 mm	-	0.3 Nm
125-903-5	in-line moulded cable with voltage rectifier	black	6 V - 230 V AC/DC	5000 mm	-	0.3 Nm