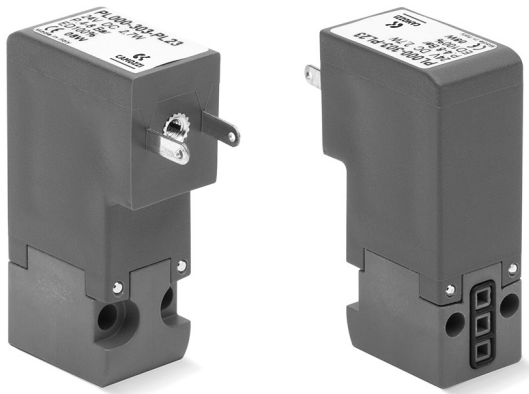


# Series PL directly operated solenoid valves

3/2-way - Normally Closed (NC)



» Can be mounted on a single base (M5 connections) or on manifold (M5 connections or cartridge  $\varnothing$  3 and 4)

Series PL directly operated mini-solenoid valves are available in the NC version and can be mounted on single bases or on manifolds.

Please note that all Series PL solenoid valves are supplied with direct current (DC). To operate in alternating current (AC), it is necessary to use the connector with bridge rectifier Mod. 125-900.

## GENERAL DATA

### TECHNICAL FEATURES

Function	3/2 NC
Operation	direct acting poppet type
Pneumatic connections	on subbase with ISO 15218 interface by means of screws
Nominal diameter	1.5 mm
Nominal flow	35 NL/min (air @ 6 bar $\Delta$ P 1 bar)
Flow coefficient kv (l/min)	0.54
Operating pressure	0 ÷ 3.5 or 4 ÷ 8 bar
Operating temperature	0°C ÷ 50°C
Media	filtered air, class 5.4.4 according to ISO 8573-1 (max oil viscosity 32 cSt), inert gas
Response time	ON <10 msec - OFF <15 msec
Manual override	not foreseen
Installation	in any position

### MATERIALS IN CONTACT WITH THE MEDIUM

Body	PBT technopolymer
Seals	FKM, NBR
Internal parts	stainless steel, NBR

### ELECTRICAL FEATURES

Voltage	24 V DC - 12 V DC - other voltages on demand
Voltage tolerance	±10%
Power consumption	2.7 W
Duty cycle	ED 100%
Electrical connection	with industrial standard connector (9.4 mm)
Protection class	IP65 with connector

Special versions available on demand

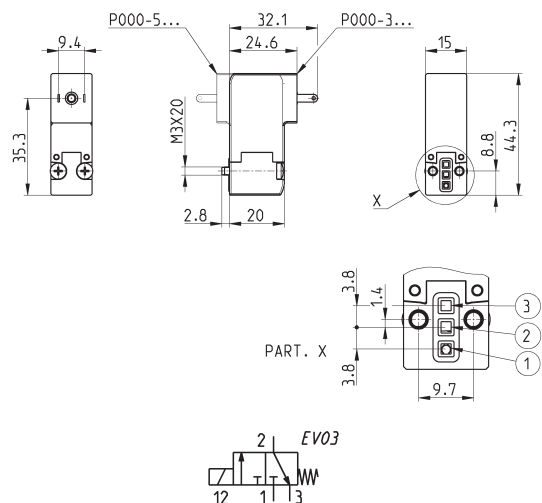
## CODING EXAMPLE

PL	0	00	-	3	0	3	-	PL	2	3	
<b>PL</b>	SERIES										
<b>0</b>	<b>BODY DESIGN:</b> 0 = single sub-base (M5 only) or interface 1 = single manifold 2 = double sided manifold										
<b>00</b>	<b>NUMBER OF POSITIONS:</b> 00 = interface 01 = single base (M5 only) 02 ÷ 99 = manifold number of positions										
<b>3</b>	<b>NUMBER OF WAYS - FUNCTIONS:</b> 0 = manifold or single base 3 = 3-way NC 5 = 3-way NC electric part revolved by 180°										
<b>0</b>	<b>VALVE PORTS:</b> 0 = interface (for single valve only)										
	<b>MANIFOLD PORTS:</b> 2 = M5 side port 3 = ø 3 tube side port 4 = ø 4 tube side port 6 = M5 rear ports 7 = ø 3 tube rear ports 8 = ø 4 tube rear ports										
<b>3</b>	<b>NOMINAL DIAMETER:</b> 3 = ø 1.5 mm (Pressure 4 ÷ 8 bar) 6 = ø 1.5 mm (Pressure 0 ÷ 3.5 bar)										
<b>PL</b>	<b>MATERIALS:</b> PL = technopolymer PBT body, FKM poppet seal, other seals in NBR										
<b>2</b>	<b>ELECTRICAL CONNECTION:</b> 2 = industrial standard connection (9.4 mm)										
<b>3</b>	<b>VOLTAGE - POWER CONSUMPTION:</b> 2 = 12 V DC 2.7W 3 = 24 V DC 2.7W										
	<b>FIXING:</b> = with screws for metal (standard) P = with screws for plastics										

### 3/2-way NC solenoid valve

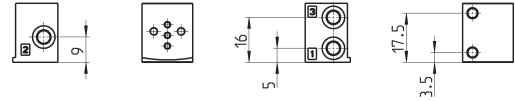
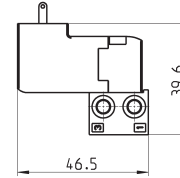


Supplied with:  
 1x interface seal  
 2x screws M3x20 UNI 8112  
 (fixing for metal, standard)  
 or  
 2x screws M3x23 UNI 10227  
 (fixing for plastics. P option)



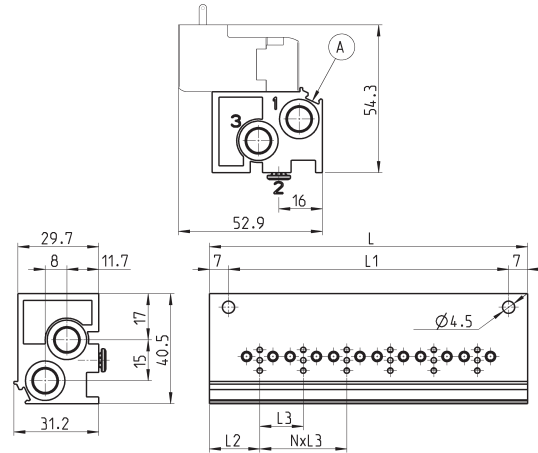
Mod.	Orifice Ø (mm)	kv (l/min)	Qn (NL/min)	Pressure min-max (bar)
PL000-303-PL23	1.5	0.54	35	4 ÷ 8
PL000-503-PL23	1.5	0.54	35	4 ÷ 8
PL000-306-PL23	1.5	0.54	-	0 ÷ 3.5
PL000-506-PL23	1.5	0.54	-	0 ÷ 3.5

### Single sub-base



Mod.	P001-02
------	---------

### Single manifold with rear outlets



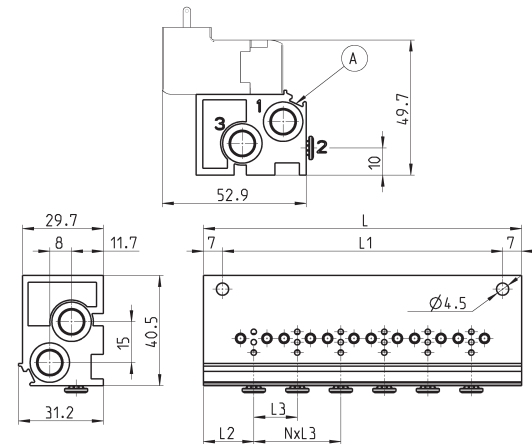
Mod.	Nr valves	L	L1	L2	L3	1 (P)	3 (R)
P102-0*	2	53	39	18,5	16	G1/8	G1/8
P103-0*	3	69	55	18,5	16	G1/8	G1/8
P104-0*	4	85	71	18,5	16	G1/8	G1/8
P105-0*	5	101	87	18,5	16	G1/8	G1/8
P106-0*	6	117	103	18,5	16	G1/8	G1/8

\* = see the type of PORTS in the CODING EXAMPLE TABLE.

A = groove for electric connection identification

### Single manifold with front outlets

This manifold is arranged to be fixed through DIN 46277/3 guide together with the accessory PCF-E520.

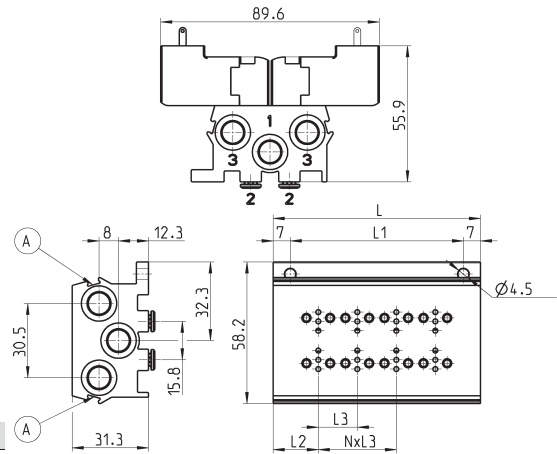


Mod.	Nr valves	L	L1	L2	L3	1 (P)	3 (R)
P102-0*	2	53	39	18,5	16	G1/8	G1/8
P103-0*	3	69	55	18,5	16	G1/8	G1/8
P104-0*	4	85	71	18,5	16	G1/8	G1/8
P105-0*	5	101	87	18,5	16	G1/8	G1/8
P106-0*	6	117	103	18,5	16	G1/8	G1/8

\* = see the type of PORTS in the CODING EXAMPLE TABLE.

A = groove for electric connection identification

### Double sided manifold with rear outlets



Mod.	Nr valves	L	L1	L2	L3	1 (P)	3 (R)
P204-0*	4	53	39	18,5	16	G1/8	G1/8
P206-0*	6	69	55	18,5	16	G1/8	G1/8
P208-0*	8	85	71	18,5	16	G1/8	G1/8
P210-0*	10	101	87	18,5	16	G1/8	G1/8
P212-0*	12	117	103	18,5	16	G1/8	G1/8

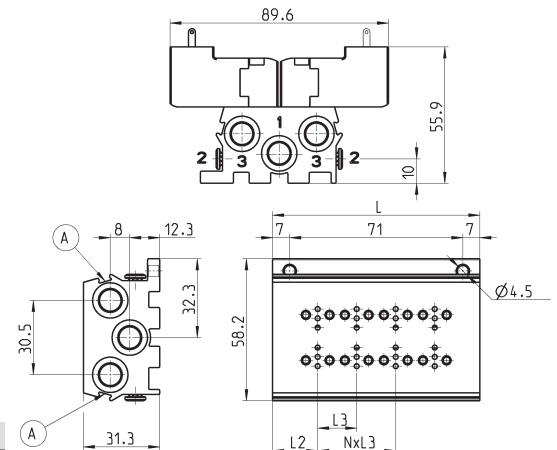
\* = see the type of PORTS in the CODING EXAMPLE TABLE.

A = groove for electric connection identification

### Double sided manifold with front outlets



This manifold is arranged to be fixed through DIN 46277/3 guide together with the accessory PCF-E520.



Mod.	Nr valves	L	L1	L2	L3	1 (P)	3 (R)
P204-0*	4	53	39	18,5	16	G1/8	G1/8
P206-0*	6	69	55	18,5	16	G1/8	G1/8
P208-0*	8	85	71	18,5	16	G1/8	G1/8
P210-0*	10	101	87	18,5	16	G1/8	G1/8
P212-0*	12	117	103	18,5	16	G1/8	G1/8

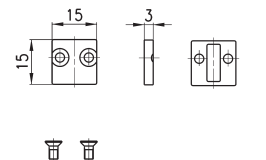
\* = see the type of PORTS in the CODING EXAMPLE TABLE.

A = groove for electric connection identification

### Excluder tap

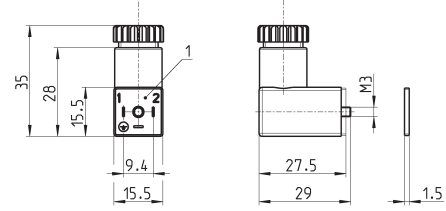


Supplied with:  
 1x excluder tap  
 1x interface seal  
 2x screws



Mod.
P000-TP

### Industrial standard (9.4 mm) connector Mod. 125-...



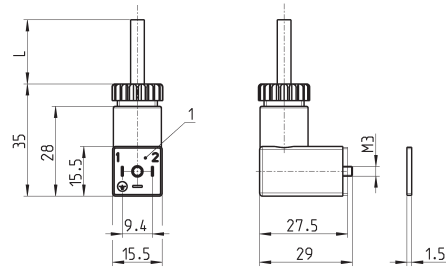
Mod.	description	colour	working voltage	cable holding	tightening torque
125-601	connector, diode + Led	transparent	10/50 V DC	PG7	0.3 Nm
125-701	connector, varistor + Led	transparent	24 V AC/DC	PG7	0.3 Nm
125-800	connector, without electronics	black	-	PG7	0.3 Nm

1 = 90° adjustable connector

### Industrial standard (9.4 mm) connector Mod. 125-... with cable



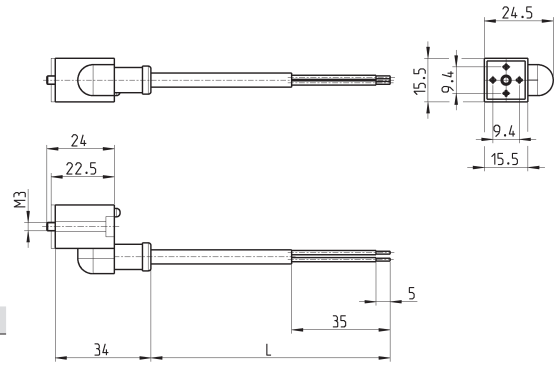
The internal rectifier circuit of the connector Mod. 125-900 allows to use solenoid valves with different AC voltage, even if the voltage indicated on the solenoid valve is DC.



Mod.	description	colour	working voltage	cable length [L]	cable holding	tightening torque
125-501-2	moulded cable with diode + Led	black	10/50 V DC	2000 mm	-	0.3 Nm
125-550-1	moulded cable, without electronics	black	-	1000 mm	-	0.3 Nm
125-601-2	pre-wired cable, diode + Led	transparent	10/50 V DC	2000 mm	PG7	0.3 Nm
125-571-3	moulded cable, varistor + Led	black	24 V AC/DC	3000 mm	-	0.3 Nm
125-900	pre-wired cable with voltage rectifier	black	6 V - 110 V AC/DC	2000 mm	PG7	0.3 Nm

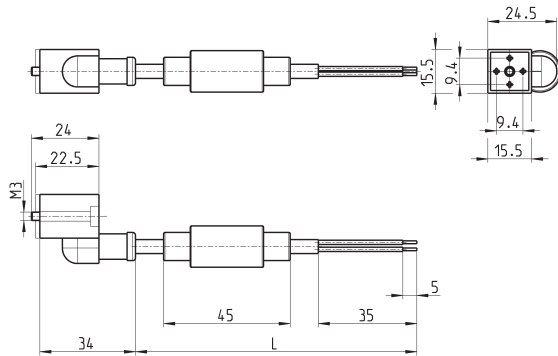
1 = 90° adjustable connector

## Industrial standard (9.4 mm) in-line connectors with cable



Mod.	description	colour	working voltage	cable length [ L ]	cable holding	tightening torque
125-503-2	in-line moulded cable, with diode + Led	black	24 V DC	2000 mm	-	0.3 Nm
125-503-5	in-line moulded cable, with diode + Led	black	24 V DC	5000 mm	-	0.3 Nm
125-553-2	in-line moulded cable, without electronics	black	-	2000 mm	-	0.3 Nm
125-553-5	in-line moulded cable, without electronics	black	-	5000 mm	-	0.3 Nm

## Industrial standard (9.4 mm) in-line connectors with bridge rectifier



Mod.	description	colour	working voltage	cable length [ L ]	cable holding	tightening torque
125-903-2	in-line moulded cable with voltage rectifier	black	6 V - 230 V AC/DC	2000 mm	-	0.3 Nm
125-903-5	in-line moulded cable with voltage rectifier	black	6 V - 230 V AC/DC	5000 mm	-	0.3 Nm