

Series PN direct acting solenoid valves

3/2-way - Normally Closed (NC)



- » Can be mounted on a single base (M5 connections) or on manifold (M5 connections or fittings for Ø3 or Ø4 tube)
- » Compact design suitable for use in reduced mounting space

Please note that all Series PN solenoid valves are supplied with direct current (DC). To operate in alternating current (AC), it is necessary to use the connector with bridge rectifier Mod. 125-900.

Series PN direct acting solenoid valves are available as 3/2-way NC.

GENERAL DATA

TECHNICAL FEATURES

Function	3/2 NC
Operation	direct acting poppet type
Pneumatic connections	on subbase with ISO 12238 interface
Orifice diameter	0.8 mm
Flow coefficient kv (l/min)	0.19
Operating pressure	0 ÷ 10 bar
Operating temperature	0 ÷ 50 °C
Media	filtered air class [5:4:4] according to ISO 8573-1:2010 (max oil viscosity 32 cSt), inert gas
Response time (ISO 12238)	ON <10 ms - OFF <15 ms
Installation	in any position

MATERIALS IN CONTACT WITH THE MEDIUM

Body	PBT
Seals	FKM - NBR
Internal parts	stainless steel

ELECTRICAL FEATURES

Voltage	24 ... 205 V DC - other voltages on demand
Voltage tolerance	±10%
Power consumption	1 ... 2 W
Duty cycle	ED 100%
Electrical connection	industrial standard connector (9.4 mm)
Protection class	IP65 with connector

Special versions available on demand

CODING EXAMPLE

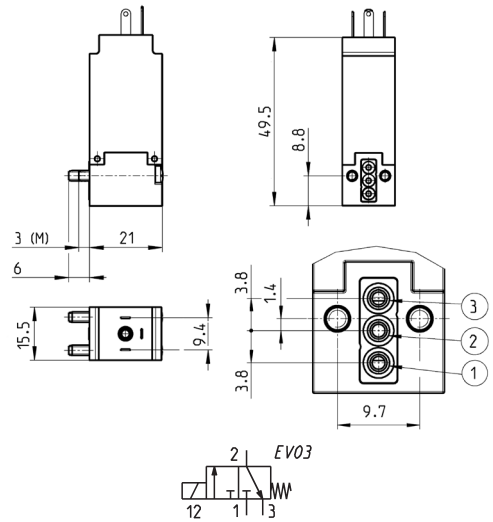
PN	0	00	-	3	0	1	-	P	5	3	
-----------	----------	-----------	----------	----------	----------	----------	----------	----------	----------	----------	--

PN	SERIES
0	BODY DESIGN 0 = single sub-base 1 = single manifold 2 = double sided manifold
00	NUMBER OF POSITIONS 00 = ISO 15218 interface 01 = single base (M5 only) 02 = 99 = manifold number of positions
3	NUMBER OF WAYS - FUNCTIONS 0 = manifold or single base 3 = 3/2-way - NC
0	VALVE PORTS 0 = ISO 15218 interface MANIFOLD PORTS for P - PL - PN - W Series 2 = M5 thread - front outlets 3 = tube Ø 3 mm fittings - front outlets 4 = tube Ø 4 mm fittings - front outlets 6 = M5 thread - bottom outlets 7 = tube Ø 3 mm fittings - bottom outlets 8 = tube Ø 4 mm fittings - bottom outlets
1	ORIFICE DIAMETER 1 = Ø 0.8 mm
P	MATERIALS P = PBT body - seals FKM - NBR
5	ELECTRICAL CONNECTION 5 = industrial standard form C (9.4 mm)
3	VOLTAGE - POWER CONSUMPTION 3 = 24 V DC - 1 W 4 = 48 V DC - 2 W 6 = 110 V DC - 2 W 7 = 205 V DC - 1.7 W
	FIXING = fixing screws for plastic M = fixing screws for metal

Series PN solenoid valve - 3/2-way NC



Supplied with:
 1x interface seal
 2x Ø3x25 screws for mounting on plastic
 or
 2x M3x22 screws for mounting on metal



Mod.	Function	Orifice Ø (mm)	kv (l/m)	Min-max pressure (bar)	Voltage Power
PN000-301-P53*	3/2 NC	0.8	0.19	0 ÷ 10	24 V DC 1 W
PN000-301-P54*	3/2 NC	0.8	0.19	0 ÷ 10	48 V DC 2 W
PN000-301-P56*	3/2 NC	0.8	0.19	0 ÷ 10	110 V DC 2 W
PN000-301-P57*	3/2 NC	0.8	0.19	0 ÷ 10	205 V DC 1.7 W

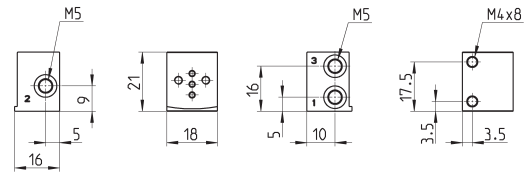
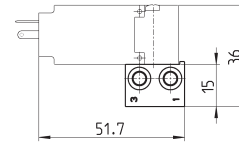
* add
 - FIXING
 (see CODING EXAMPLE)

Single sub-base for 3-way solenoid valve size 15 mm



Single sub-base suitable for Series P - PL - PN - W
 3-way solenoid valve
 Use solenoid valves with screws for mounting on metal (see coding)

Material: anodized aluminium
 Connections: M5 threads



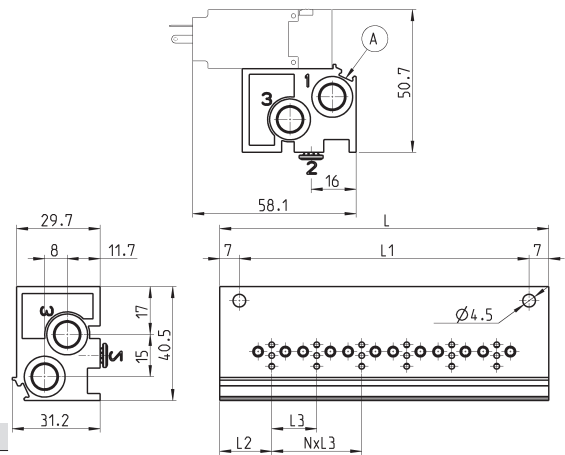
Mod.
P001-02

Manifold - single side valve - bottom outlets



Manifold suitable for Series P - PL - PN - W
 3-way solenoid valve
 Use solenoid valves with screws for mounting on metal (see coding)

Material: anodized aluminium



DIMENSIONS							
Mod.	Positions	L	L1	L2	L3	1 (P)	3 (R)
P102-0*	2	53	39	18,5	16	G1/8	G1/8
P103-0*	3	69	55	18,5	16	G1/8	G1/8
P104-0*	4	85	71	18,5	16	G1/8	G1/8
P105-0*	5	101	87	18,5	16	G1/8	G1/8
P106-0*	6	117	103	18,5	16	G1/8	G1/8

* add
 - MANIFOLD PORTS
 (see CODING EXAMPLE)

A= groove for identification label

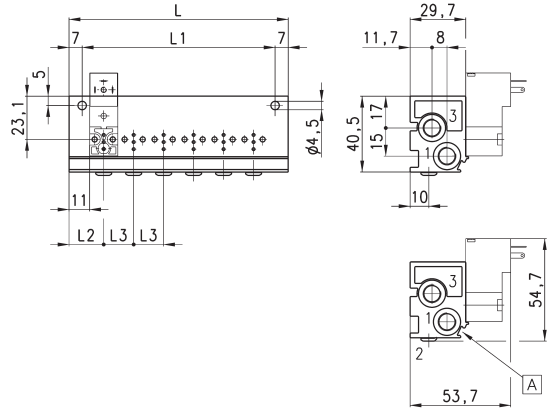
Manifold - single side valve - frontal outlets



Manifold suitable for Series P - PL - PN - W
3-way solenoid valve
Use solenoid valves with screws for mounting on metal (see coding)

Can be fixed through DIN 46277/3 guide with the accessory PCF-E520.

Material: anodized aluminium



DIMENSIONS							
Mod.	Positions	L	L1	L2	L3	1 (P)	3 (R)
P102-0*	2	53	39	18,5	16	G1/8	G1/8
P103-0*	3	69	55	18,5	16	G1/8	G1/8
P104-0*	4	85	71	18,5	16	G1/8	G1/8
P105-0*	5	101	87	18,5	16	G1/8	G1/8
P106-0*	6	117	103	18,5	16	G1/8	G1/8

* add
- MANIFOLD PORTS
(see CODING EXAMPLE)

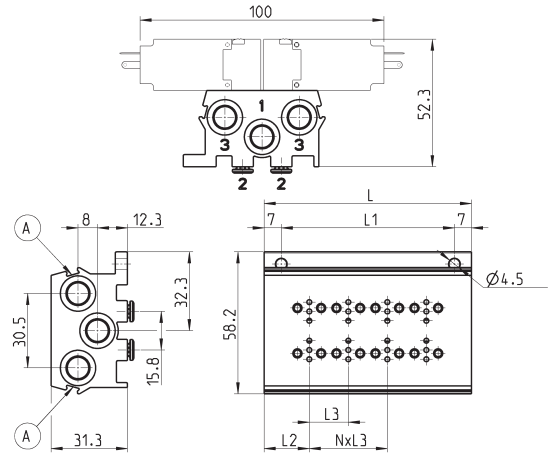
A= groove for identification label

Manifold - double side valve - bottom outlets



Manifold suitable for Series P - PL - PN - W
3-way solenoid valve
Use solenoid valves with screws for mounting on metal (see coding)

Material: anodized aluminium



DIMENSIONS							
Mod.	Positions	L	L1	L2	L3	1 (P)	3 (R)
P204-0*	4	53	39	18,5	16	G1/8	G1/8
P206-0*	6	69	55	18,5	16	G1/8	G1/8
P208-0*	8	85	71	18,5	16	G1/8	G1/8
P210-0*	10	101	87	18,5	16	G1/8	G1/8
P212-0*	12	117	103	18,5	16	G1/8	G1/8

* add
- MANIFOLD PORTS
(see CODING EXAMPLE)

A= groove for identification label

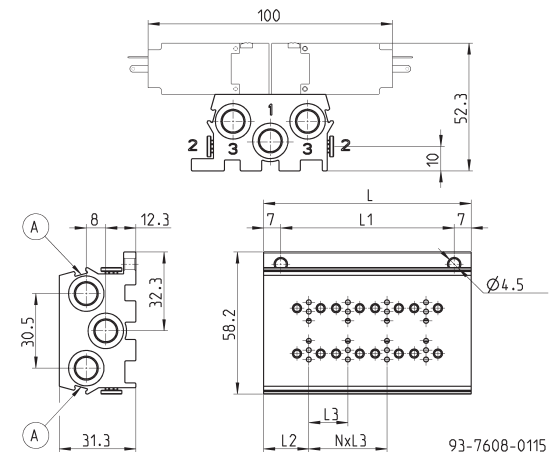
Manifold - double side valve - frontal outlets



Manifold suitable for Series P - PL - PN - W
3-way solenoid valve
Use solenoid valves with screws for mounting on metal (see coding)

Can be fixed through DIN 46277/3 guide with the accessory PCF-E520.

Material: anodized aluminium



DIMENSIONS							
Mod.	Positions	L	L1	L2	L3	1 (P)	3 (R)
P204-0*	4	53	39	18,5	16	G1/8	G1/8
P206-0*	6	69	55	18,5	16	G1/8	G1/8
P208-0*	8	85	71	18,5	16	G1/8	G1/8
P210-0*	10	101	87	18,5	16	G1/8	G1/8
P212-0*	12	117	103	18,5	16	G1/8	G1/8

* add
- MANIFOLD PORTS
(see CODING EXAMPLE)

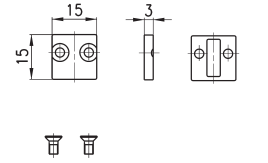
A= groove for identification label

93-7608-0115

Position valve cap

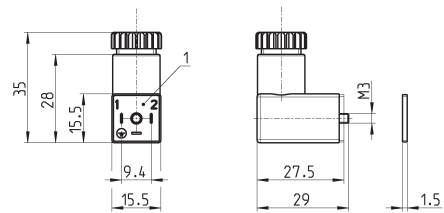


Supplied with:
 1x position valve cap
 1x interface seal
 2x screws



Mod.
P000-TP

Connector Mod. 125-... - industrial std. 9.4 mm



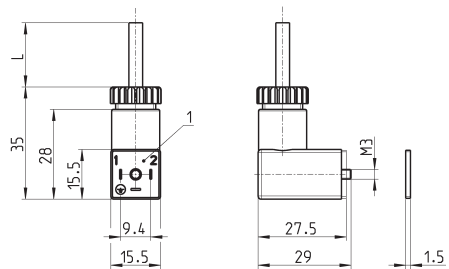
Mod.	description	colour	working voltage	cable gland	tightening torque
125-601	connector, diode + Led	transparent	10/50 V DC	PG7	0.3 Nm
125-701	connector, varistor + Led	transparent	24 V AC/DC	PG7	0.3 Nm
125-800	connector, without electronics	black	-	PG7	0.3 Nm

1 = 90° adjustable connector

Connector Mod. 125-... - industrial std. 9.4 mm - 90° cable



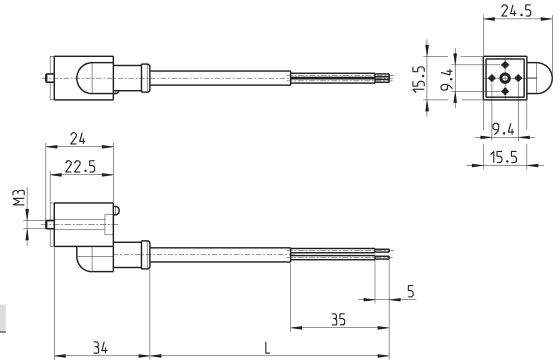
The internal rectifier circuit of the connector Mod. 125-900 allows to use solenoid valves with different AC voltage, even if the voltage indicated on the solenoid valve is DC.



Mod.	description	colour	working voltage	cable length [L]	cable gland	tightening torque
125-501-2	moulded cable with diode + Led	black	10/50 V DC	2000 mm	-	0.3 Nm
125-550-1	moulded cable, without electronics	black	-	1000 mm	-	0.3 Nm
125-601-2	pre-wired cable, diode + Led	transparent	10/50 V DC	2000 mm	PG7	0.3 Nm
125-571-3	moulded cable, varistor + Led	black	24 V AC/DC	3000 mm	-	0.3 Nm
125-900	pre-wired cable with voltage rectifier	black	6 V - 110 V AC/DC	2000 mm	PG7	0.3 Nm

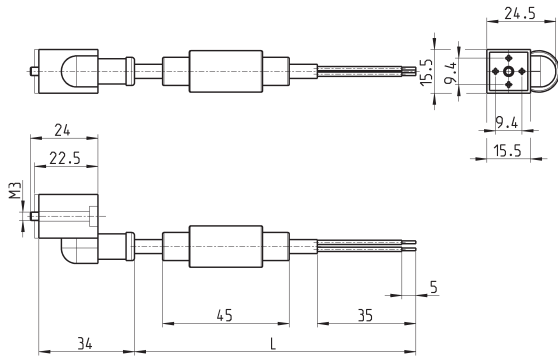
1 = 90° adjustable connector

Connector Mod. 125-... - industrial std. 9.4 mm - in-line cable



Mod.	description	colour	working voltage	cable length [L]	cable gland	tightening torque
125-503-2	in-line moulded cable, with diode + Led	black	24 V DC	2000 mm	-	0.3 Nm
125-503-5	in-line moulded cable, with diode + Led	black	24 V DC	5000 mm	-	0.3 Nm
125-553-2	in-line moulded cable, without electronics	black	-	2000 mm	-	0.3 Nm
125-553-5	in-line moulded cable, without electronics	black	-	5000 mm	-	0.3 Nm

Conn. Mod. 125-... - ind. std. 9.4 mm - in-line cable+rectifier



Mod.	description	colour	working voltage	cable length [L]	cable gland	tightening torque
125-903-2	in-line moulded cable with voltage rectifier	black	6 V - 230 V AC/DC	2000 mm	-	0.3 Nm
125-903-5	in-line moulded cable with voltage rectifier	black	6 V - 230 V AC/DC	5000 mm	-	0.3 Nm