

Short-stroke cylinders

Series QP - QPR

Series QP: single and double-acting, magnetic
 Series QPR: double-acting magnetic, non-rotating
 Ø 12, 16, 20, 25, 32, 40, 50, 63, 80, 100 mm



Series QP - QPR cylinders are available in 10 bore sizes, from Ø12 to Ø100. Their compact dimension allows the installation in small spaces. Because of their particular construction, they can be mounted by means of feet or trunnion.

The guides are manufactured in the external profile parallel to the sliding axis on three sides. These are used to locate the switches that sense the piston position. The non rotating guides make the QPR suitable for supply operations and for handling equipment.

GENERAL DATA

Type of construction	Series QP: compact profile Series QPR: compact with non rotating guides
Operation	Series QP: single and double-acting Series QPR: double-acting
Materials	body: anodized AL rod: rolled stainless steel piston seals: PU rod seals: PU (Ø 12 ÷ 25 mm) - NBR (Ø 32 ÷ 100 mm)
Operating temperature	0°C ÷ 80°C (with dry air -20°C)
Assembly	by means of screws or brackets
Operating pressure	1 ÷ 10 bar (double-acting) 2 ÷ 10 bar (single-acting)
Fluid	filtered air, without lubrication. If lubricated air is used, it is recommended to use oil ISOVG32. Once applied the lubrication should never be interrupted.
Strokes (min-max)	Series QP: 1 ÷ 150 mm (Ø12 ÷ Ø 25) - 1 ÷ 200 mm (Ø 32 ÷ Ø 100) Series QPR: 1 ÷ 50 mm (Ø 12) - 1 ÷ 75 mm (Ø 16) - 1 ÷ 100 mm (Ø 20 ÷ Ø 100)
Strokes	the minimum stroke for use of the sensors is 10 mm
Bores	Ø 12, 16, 20, 25, 32, 40, 50, 63, 80, 100

STANDARD STROKES FOR SHORT-STROKE CYLINDERS SERIES QP AND QPR

■ = Double-acting ✕ = Single-acting ● = Non-rotating

STANDARD STROKES															
∅	5	10	15	20	25	30	35	40	45	50	60	75	80	100	
12	■ ✕ ●	■ ✕ ●	■ ✕ ●	■ ✕	■ ✕ ●	■ ●	■	■	■						
16	■ ✕ ●	■ ✕ ●	■ ✕ ●	■ ✕ ●	■ ✕ ●	■ ●	■ ●	■ ●	■ ●	■ ●	■ ●	■ ●	■	■	
20	■ ✕ ●	■ ✕ ●	■ ✕ ●	■ ✕ ●	■ ✕ ●	■ ●	■ ●	■ ●	■ ●	■ ●	■ ●	■ ●	■ ●	■ ●	
25	■ ✕ ●	■ ✕ ●	■ ✕ ●	■ ✕ ●	■ ✕ ●	■ ●	■ ●	■ ●	■ ●	■ ●	■ ●	■ ●	■ ●	■ ●	
32	■ ✕ ●	■ ✕ ●	■ ✕ ●	■ ✕ ●	■ ✕ ●	■ ●	■ ●	■ ●	■ ●	■ ●	■ ●	■ ●	■ ●	■ ●	
40	■ ✕ ●	■ ✕ ●	■ ✕ ●	■ ✕ ●	■ ✕ ●	■ ●	■ ●	■ ●	■ ●	■ ●	■ ●	■ ●	■ ●	■ ●	
50	■ ✕ ●	■ ✕ ●	■ ✕ ●	■ ✕ ●	■ ✕ ●	■ ●	■ ●	■ ●	■ ●	■ ●	■ ●	■ ●	■ ●	■ ●	
63	■ ✕ ●	■ ✕ ●	■ ✕ ●	■ ✕ ●	■ ✕ ●	■ ●	■ ●	■ ●	■ ●	■ ●	■ ●	■ ●	■ ●	■ ●	
80	■ ✕ ●	■ ✕ ●	■ ✕ ●	■ ✕ ●	■ ✕ ●	■ ●	■ ●	■ ●	■ ●	■ ●	■ ●	■ ●	■ ●	■ ●	
100	■ ✕ ●	■ ✕ ●	■ ✕ ●	■ ✕ ●	■ ✕ ●	■ ●	■ ●	■ ●	■ ●	■ ●	■ ●	■ ●	■ ●	■ ●	

CODING EXAMPLE

QP	2	A	050	A	050
-----------	----------	----------	------------	----------	------------

QP	<p>SERIES QP = standard QPR = standard non-rotating</p>	
2	<p>OPERATION 1 = single-acting, front spring (only QP) 2 = double-acting 3 = double-acting, through-rod</p>	<p>PNEUMATIC SYMBOLS CS09 CD07 CD14</p>
A	<p>MATERIALS A = rolled stainless steel rod - AL tube profile</p>	
050	<p>BORE 012 = 12 mm 016 = 16 mm 020 = 20 mm 025 = 25 mm 032 = 32 mm 040 = 40 mm 050 = 50 mm 063 = 63 mm 080 = 80 mm 100 = 100 mm</p>	
A	<p>TYPE OF MOUNTING A = standard</p>	
050	<p>STROKE (see the table) = standard V = FKM rod seal W = all FKM seals (∅ 12 excepted)</p>	

PNEUMATIC SYMBOLS

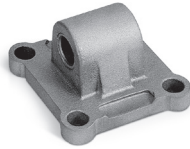
The pneumatic symbols which have been indicated in the CODING EXAMPLE are shown below.



ACCESSORIES FOR SHORT-STROKE CYLINDERS SERIES QP



Foot mount Mod. B

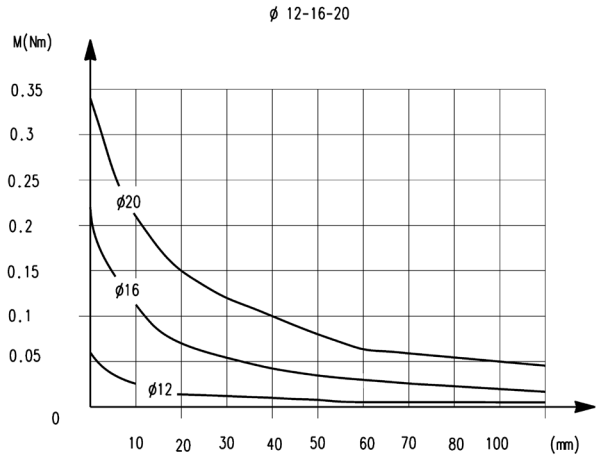
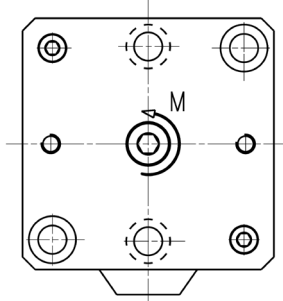


Male trunnion Mod. L

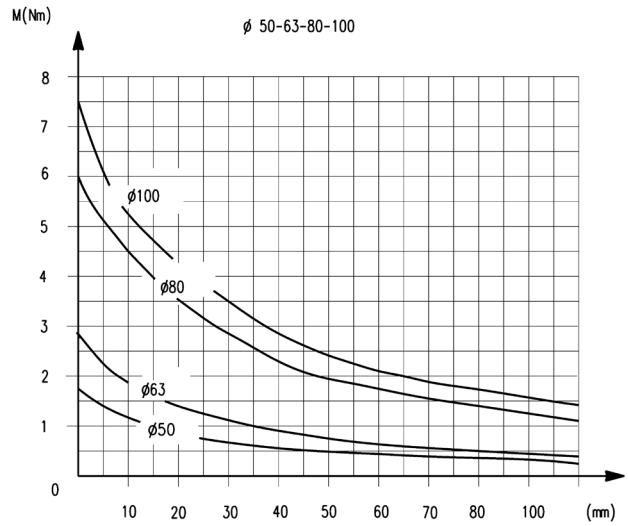
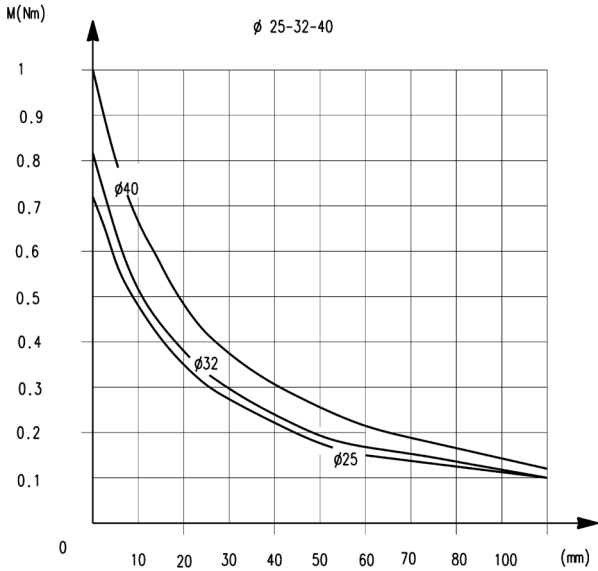


All accessories are supplied separately.

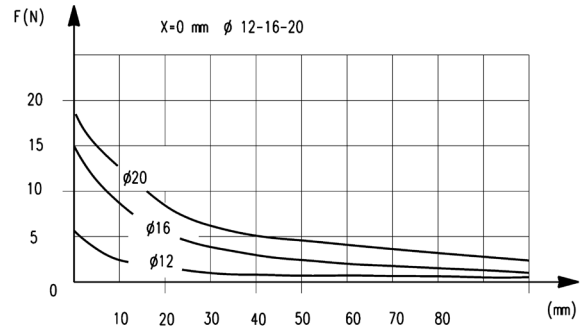
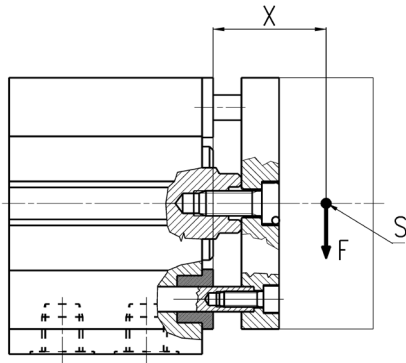
TORQUE MOMENT ACCORDING TO STROKE C



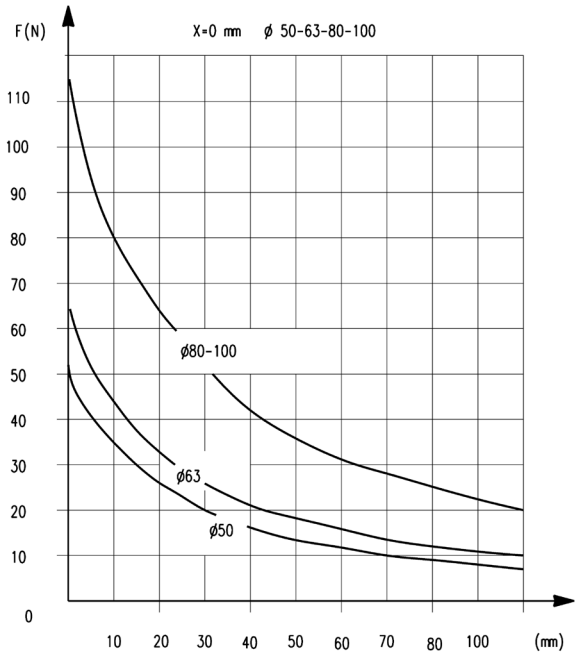
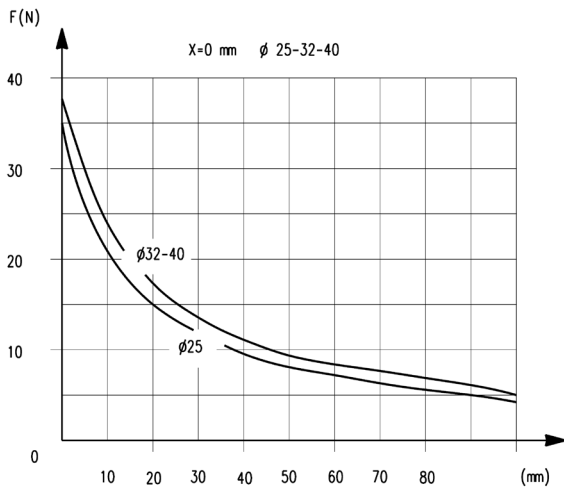
TORQUE MOMENT ACCORDING TO STROKE C



TRANSVERSAL LOAD ACCORDING TO PROJECTION " X "



TRANSVERSAL LOAD ACCORDING TO PROJECTION " X "



F = transversal force

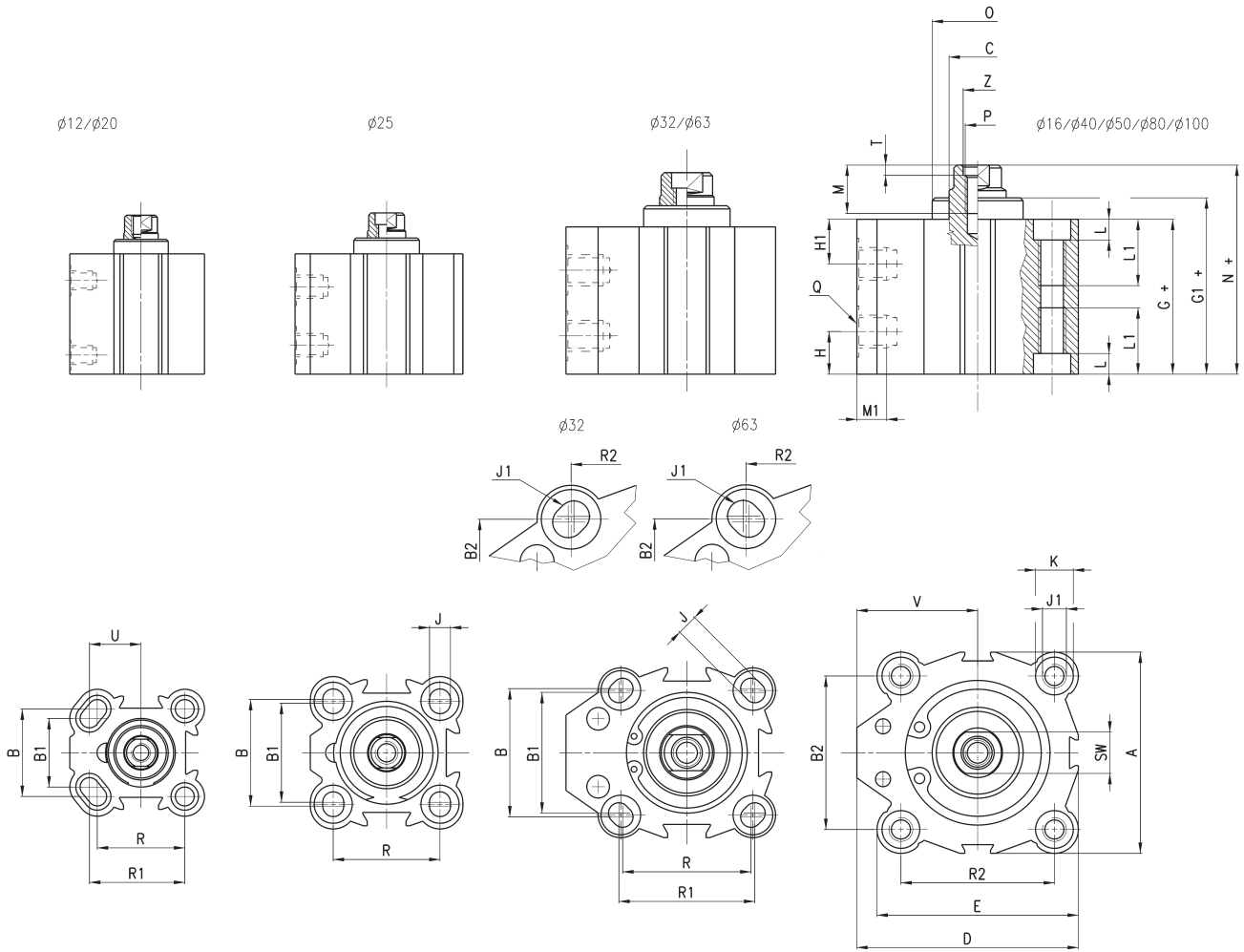
Short-stroke cylinders Series QP



Note:
The cylinder's end stop must be provided externally.
For single-acting cylinders ϕ 12, 16, 20 and 25 add 5 mm to G+, G1+ and N+ dimensions.

+ = add the stroke

SERIES QP - QPR CYLINDERS



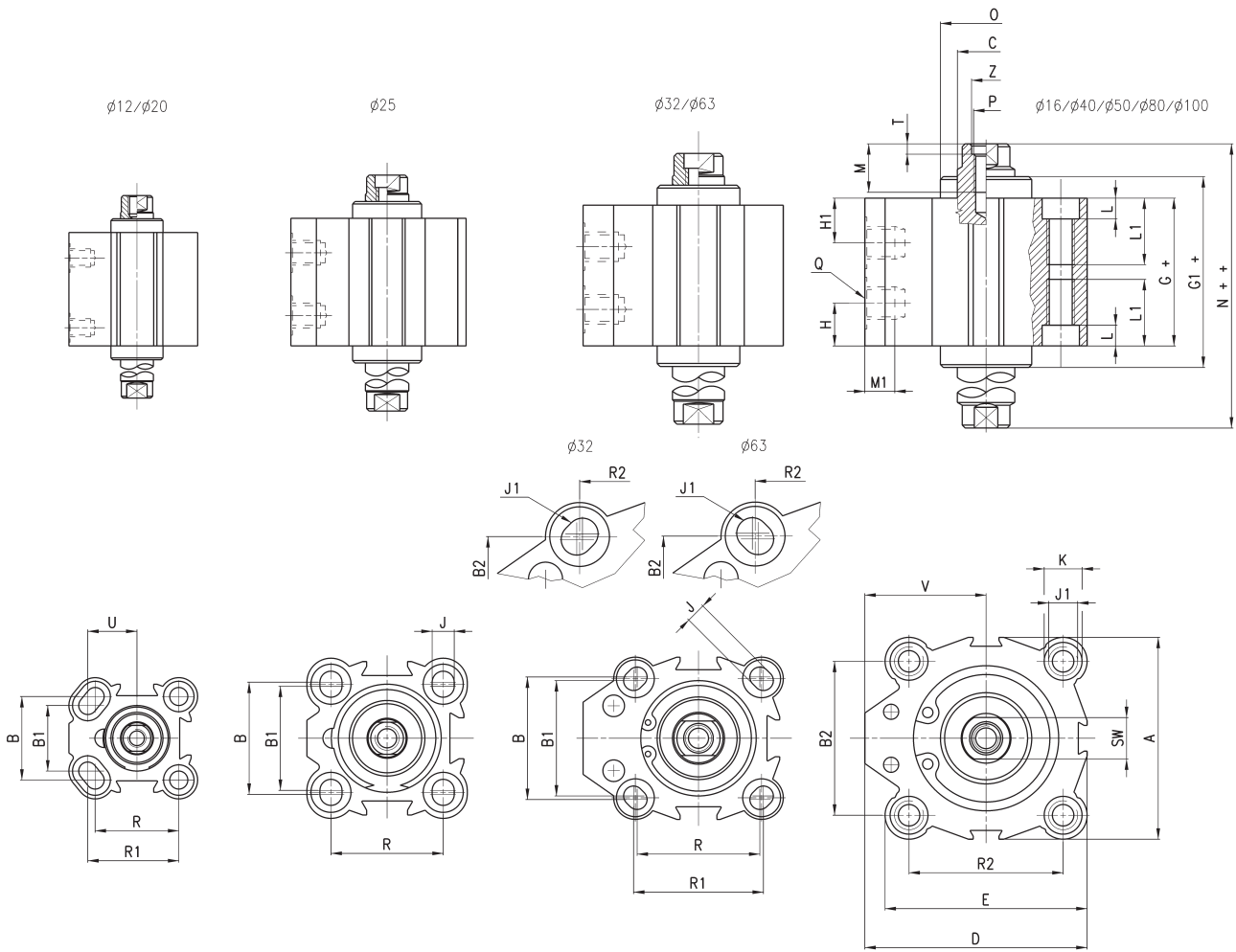
DIMENSIONS																														
ϕ	A	B	B1	B2	ϕ C	D	E	G+	G1+	H1	H	J	J1	K	L	L1	M	M1	N+	ϕ O	P	Q	R	R1	R2	SW	T	U	V	Z
12	23.8	15.5	13	-	6	25	25	29.6	29.6	12.3	7.8	3.5	-	5.8	3	-	5.5	4.5	32.9	-	M3	M5	15.5	16.75	-	5	-	9	13.15	-
16	29	20	-	-	8	29	29	32	32.4	10.9	8.7	3.5	-	5.8	3	-	8	4.5	36.4	16.6	M4	M5	20	-	-	6	-	-	14.5	-
20	37	25.5	20	-	10	39.25	39.25	31.2	31.7	9.8	9.8	5.5	-	9	6	-	8	4.5	36	19.5	M6	M5	25.5	27.75	-	8	-	15	20.75	-
25	40	28	26	-	10	40	40	32.1	33.5	8	6.9	5.5	-	10	5.5	-	8	4.5	37.5	22	M6	M5	28	-	-	8	-	-	20	-
32	45	34	32	33	12	55.5	47	39.5	40	9.5	9.5	5.5	M8	10.5	6	21	10	7.5	44	23.5	M6	G1/8	34	36	35	10	2.5	-	32	7
40	52	-	-	40	16	57	52	42.4	43.4	10.7	10.7	5.5	M8	9	6	21	13.5	7.5	47.9	29.6	M8	G1/8	-	-	40	13	3.5	-	31	8.5
50	64	-	-	50	16	72	64	42.2	44	11.2	11.2	6.5	M8	10.5	6	21	13.5	9	48.4	37.5	M8	G1/4	-	-	50	13	3.5	-	40	8.5
63	80	62	60	61	20	88	80	49.5	50.1	13	13	8.5	M12	15	8.5	31.5	13.5	9	54	50	M8	G1/4	60	62	61	17	4	-	48	8.5
80	98	-	-	77	25	104	98	57.5	58.1	16.2	16.2	10.5	M12	17	10.5	31.5	15	10.5	63.5	62	M16	G3/8	-	-	77	22	4	-	55	16.5
100	117	-	-	94	25	123.5	117	68.5	69.1	20.3	20.3	10.5	M12	17	10.5	31.5	15	10.5	74.5	80	M16	G3/8	-	-	94	22	4	-	65	16.5

Short-stroke cylinders Series QP

Note:
The cylinder's end stop must be provided externally.



+ = add the stroke once
+ = add the stroke twice



DIMENSIONS																														
Ø	A	B	B1	B2	g ^{h8}	D	E	G+	G1+	H1	H	J	J1	K	L	L1	M	M1	N++	øO	P	Q	R	R1	R2	SW	T	U	V	Z
12	23.8	15.5	13	-	6	25	25	34.5	34.5	12.3	12.3	3.5	-	5.8	3	-	5.5	4.5	41	-	M3	M5	15.5	16.75	-	5	-	9	13.15	-
16	29	20	-	-	8	29	29	38	38.8	10.9	10.9	3.5	-	5.8	3	-	8	4.5	46.4	16.6	M4	M5	20	-	-	6	-	-	14.5	-
20	37	25.5	20	-	10	39.25	39.25	38.1	39.1	9.8	9.8	5.5	-	9	6	-	8	4.5	47.7	19.5	M6	M5	25.5	27.75	-	8	-	15	20.75	-
25	40	28	26	-	10	40	40	36.3	39.1	8	8	5.5	-	10	5.5	-	8	4.5	47.1	22	M6	M5	28	-	-	8	-	-	20	-
32	45	34	32	33	12	55.5	47	39.5	40.5	9.5	9.5	5.5	M8	10.5	6	21	10	7.5	48.5	23.5	M6	G1\8	34	36	35	10	2.5	-	32	7
40	52	-	-	40	16	57	52	42.4	44.4	10.7	10.7	5.5	M8	9	6	21	13.5	7.5	53.4	29.6	M8	G1\8	-	-	40	13	3.5	-	31	8.5
50	64	-	-	50	16	72	64	42.2	45.8	11.2	11.2	6.5	M8	10.5	6	21	13.5	9	54.8	37.5	M8	G1\4	-	-	50	13	3.5	-	40	8.5
63	80	62	60	61	20	88	80	49.5	50.7	13	13	8.5	M12	15	8.5	31.5	13.5	9	58.5	50	M8	G1\4	60	62	61	17	4	-	48	8.5
80	98	-	-	77	25	104	98	57.5	58.7	16.2	16.2	10.5	M12	17	10.5	31.5	15	10.5	69.5	62	M16	G3\8	-	-	77	22	4	-	55	16.5
100	117	-	-	94	25	123.5	117	68.5	69.7	20.3	20.3	10.5	M12	17	10.5	31.5	15	10.5	80.5	80	M16	G3\8	-	-	94	22	4	-	65	16.5

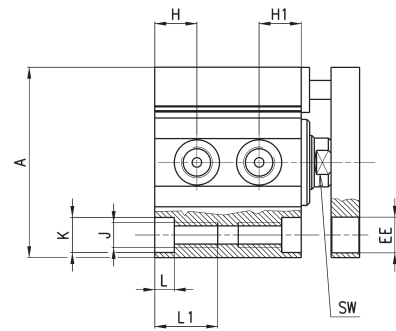
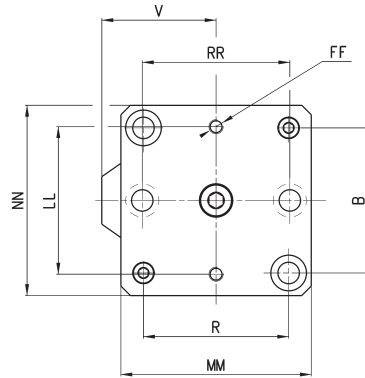
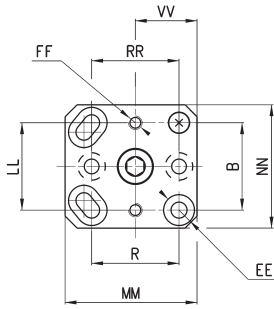
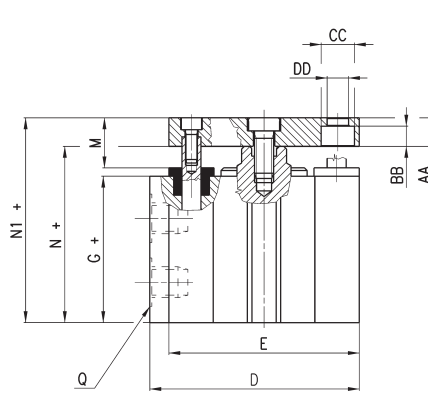
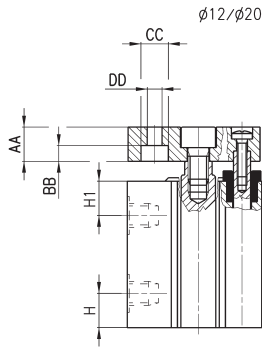
Short-stroke cylinder Series QPR

Note:
The cylinder's end stop must be provided externally.



+ = add the stroke

SERIES QP - QPR CYLINDERS



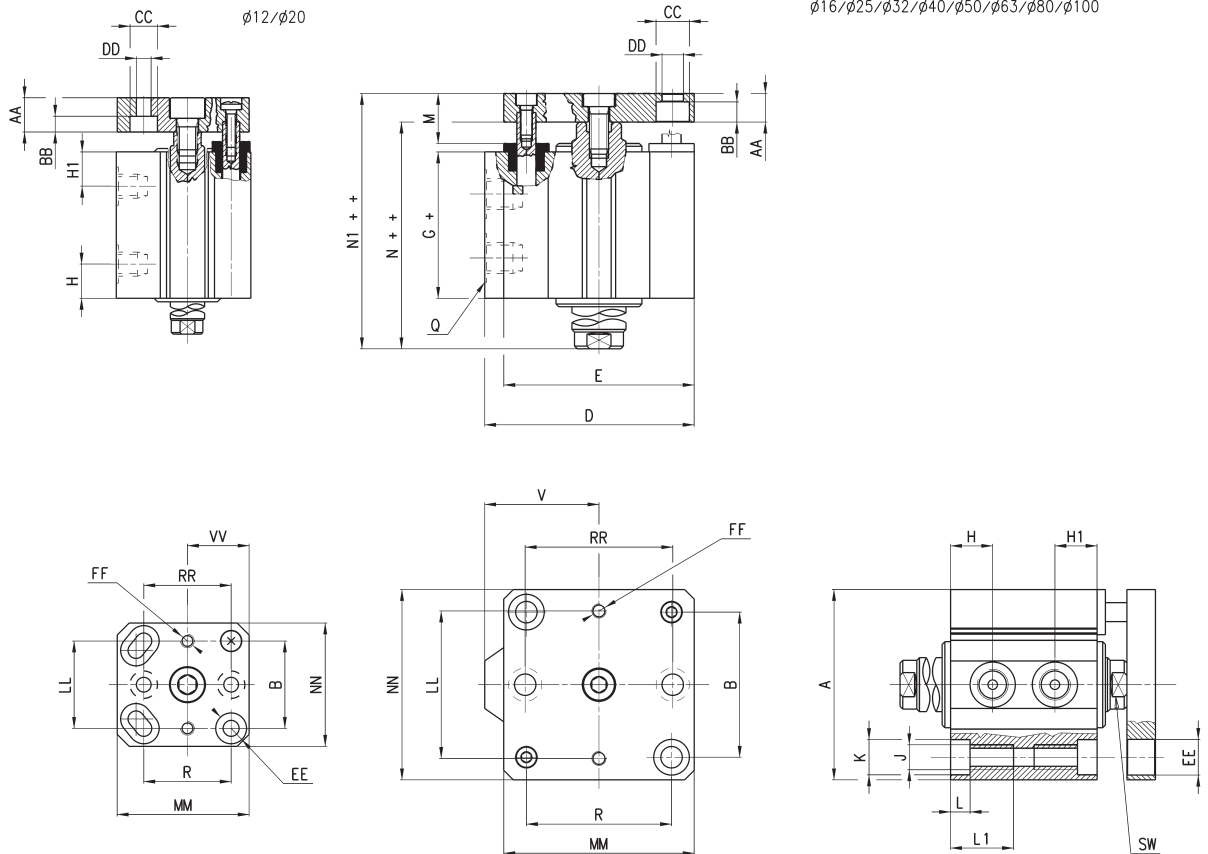
DIMENSIONS																												
Ø	A	B	D	E	G+	H1	H	J	K	L	L1	N+	N1+	Q	R	SW	V	AA	BB	CC	DD	EE	FF	LL	MM	NN	RR	VV
12	23.8	15.5	25	25	29.6	12.3	7.8	3.5	5.8	3	-	32.9	37.9	M5	15.5	5	13.15	5	3.5	6.2	3.2	5.8	M3	15.5	25	24	15.5	12
16	29	20	29	29	32	10.9	8.7	3.5	5.8	3	-	36.4	41.4	M5	20	6	14.5	5	3.5	6.2	3.2	6.5	M3	20	28	28	20	-
20	37	25.5	39.25	39.25	31.2	9.8	9.8	5.5	9	6	-	36	46	M5	25.5	8	20.75	10	4.6	8	4.2	9	M4	25.5	38.5	36	25.5	18
25	40	28	40	40	32.1	8	6.9	5.5	10	5.5	-	37.5	47.5	M5	28	8	20	10	4.6	8	4.2	10	M4	27	40	40	28	-
32	45	33	55.5	47	39.5	9.5	9.5	M8	10.5	6	21	44	54	G1/8	35	10	32	10	6	9	5.5	9	M5	32	47	45	36	-
40	52	40	57	52	42.4	10.7	10.7	M8	9	6	21	47.9	57.9	G1/8	40	13	31	10	6	9	5.5	9	M5	40	52	50	40	-
50	64	50	72	64	42.2	11.2	11.2	M8	10.5	6	21	48.4	60.4	G1/4	50	13	40	12	6.8	10.5	6.5	10	M6	50	65	65	50	-
63	80	61	88	80	49.5	13	13	M12	15	8.5	31.5	54	66	G1/4	61	17	48	12	8.5	14	9	15	M6	62	80	80	62	-
80	98	77	104	98	57.5	16.2	16.2	M12	17	10.5	31.5	63.5	78.5	G3/8	77	22	55	15	10	16.5	11	17	M8	77	100	100	77	-
100	117	94	123.5	117	68.5	20.3	20.3	M12	17	10.5	31.5	74.5	89.5	G3/8	94	22	65	15	10	16.5	11	17	M8	94	115	115	94	-

Short-stroke cylinder Series QPR - through-rod

Note:
The cylinder's end stop must be provided externally.



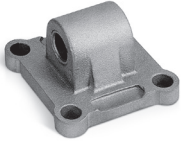
+ = add the stroke once
++ = add the stroke twice



DIMENSIONS																												
Ø	A	B	D	E	G+	H1	H	J	K	L	L1	N++	N1++	Q	R	SW	V	AA	BB	CC	DD	EE	FF	LL	MM	NN	RR	VV
12	23.8	15.5	25	25	37.3	12.3	12.3	3.5	5.8	3	-	41	46	M5	15.5	5	13.15	5	3.5	6.2	3.2	5.8	M3	15.5	25	24	15.5	12
16	29	20	29	29	38	10.9	10.9	3.5	5.8	3	-	47	52	M5	20	6	14.5	5	3.5	6.2	3.2	6.5	M3	20	28	28	20	-
20	37	25.5	39.25	39.25	38.1	9.8	9.8	5.5	9	6	-	47.7	57.7	M5	25.5	8	20.75	10	4.6	8	4.2	9	M4	25.5	38.5	36	25.5	18
25	40	28	40	40	36.3	8	8	5.5	10	5.5	-	47.1	57.1	M5	28	8	20	10	4.6	8	4.2	10	M4	27	40	40	28	-
32	45	33	55.5	47	39.5	9.5	9.5	M8	10.5	6	21	48.5	58.5	G1\8	35	10	32	10	6	9	5.5	9	M5	32	47	45	36	-
40	52	40	57	52	42.4	10.7	10.7	M8	9	6	21	53.4	63.4	G1\8	40	13	31	10	6	9	5.5	9	M5	40	52	50	40	-
50	64	50	72	64	42.2	11.2	11.2	M8	10.5	6	21	54.8	66.8	G1\4	50	13	40	12	6.8	10.5	6.5	10	M6	50	65	65	50	-
63	80	61	88	80	49.5	13	13	M12	15	8.5	31.5	58.5	70.5	G1\4	61	17	48	12	8.5	14	9	15	M6	62	80	80	62	-
80	98	77	104	98	57.5	16.2	16.2	M12	17	10.5	31.5	69.5	84.5	G3\8	77	22	55	15	10	16.5	11	17	M8	77	100	100	77	-
100	117	94	123.5	117	68.5	20.3	20.3	M12	17	10.5	31.5	80.5	95.5	G3\8	94	22	65	15	10	16.5	11	17	M8	94	115	115	94	-

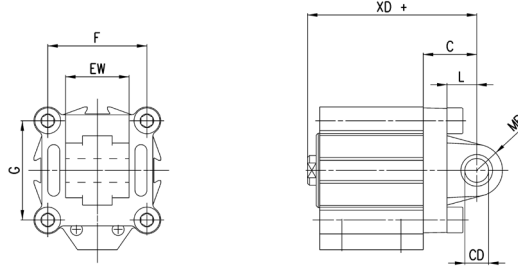
Male trunnion bracket Mod. L

Material: Aluminium



Supplied with:
1x trunnion
4x screws

+ = add the stroke



DIMENSIONS									
Mod.	∅	CD ^{H9}	MR	L	C	XD+	F	G	EW
L-QP-32	32	10	9	12	22	66	33	35	26
L-QP-40	40	12	13	15	25	73	40	40	28
L-QP-50	50	12	13	15	27	75,5	50	50	32
L-QP-63	63	16	15	20	32	86	61	61	40
L-QP-80	80	16	15	24	36	99,5	77	77	50
L-QP-100	100	20	18	29	41	115,5	94	94	60

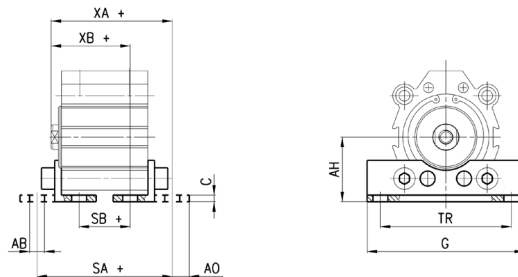
Feet bracket Mod. B

Material: zinc-plated steel.



Supplied with:
2x feet
4x screws

+ = add the stroke



DIMENSIONS											
Mod.	∅	C	SA+	XA+	SB+	XB+	TR	G	AB	AH	AO
B-QP-32	32	3	61.9	55.2	23.1	35.8	57	71	6.6	30	8.8
B-QP-40	40	3	64.8	59.1	26	39.7	64	78	6.6	33	8.8
B-QP-50	50	4	71.6	63.1	20.8	37.7	79	95	9	39	10.3
B-QP-63	63	4	81.9	70.2	25.1	41.8	95	113	11	46	13.8
B-QP-80	80	6	96.5	83	30.5	49	118	140	13	59	10.5
B-QP-100	100	6	114.5	97.5	22.5	51.5	137	162	13	71	17