

Sprue grippers - Size 20

Series RPGA

Angular, not self-centering, single-acting, Normally Open
 Models available: Flat Finger, Curved Finger, Short Finger,
 Flat Finger with sensor slot, Curved Finger with sensor slot



Thanks to a piston with a size of 20mm and to the direct transfer of the force from the piston to the fingers, Series RPGA guarantees a strong and a safe grip.

Their technical features ensure a high gripping force and make these grippers particularly suitable in the removal of injection molded items. The surface treatments on each metallic part make this series very wear resistant.

D and E models are provided with a finger having a slot for the installation of an inductive sensor.

GENERAL DATA

Operation	single-acting, Normally Open
Materials	anodized aluminium body and fingers, PU seals
Working pressure	2.5 bar ÷ 8 bar
Working temperature	0°C ÷ 60°C
Max frequency	2.5 Hz
Lubrication	Not necessary
Air ports	G1/8
Media	Filtered air, without lubrication
Size	20 mm
Weights	120 g (models A and B); 125 g (models C, D, E)
Gripping torque at 6 bar	310 Ncm
Opening torque at 6 bar	25 Ncm
Gripping force at 6 bar	90 N
Closing time without load	20 ms

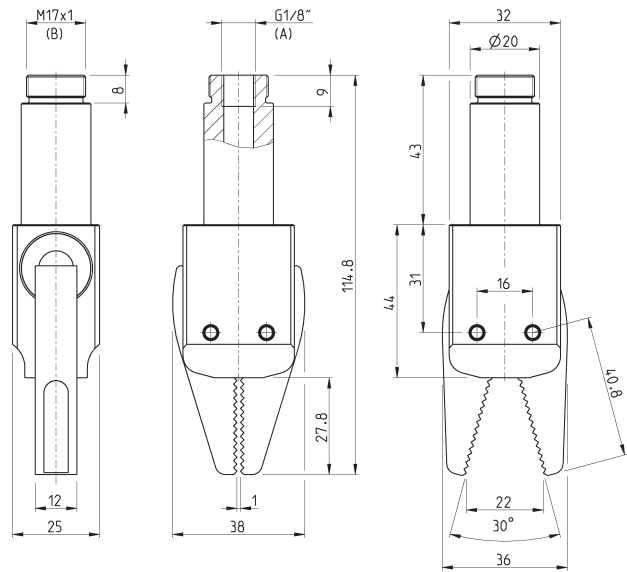
CODING EXAMPLE

RPGA	-	20	-	A
-------------	---	-----------	---	----------

RPGA	SERIES
20	SIZE: 20
A	TYPE OF CONSTRUCTION: A = Flat finger B = Curved finger C = Short finger with mounting holes for extensions D = Flat finger for sensor E = Curved finger for sensor

SERIES RPGA SPRUE GRIPPERS

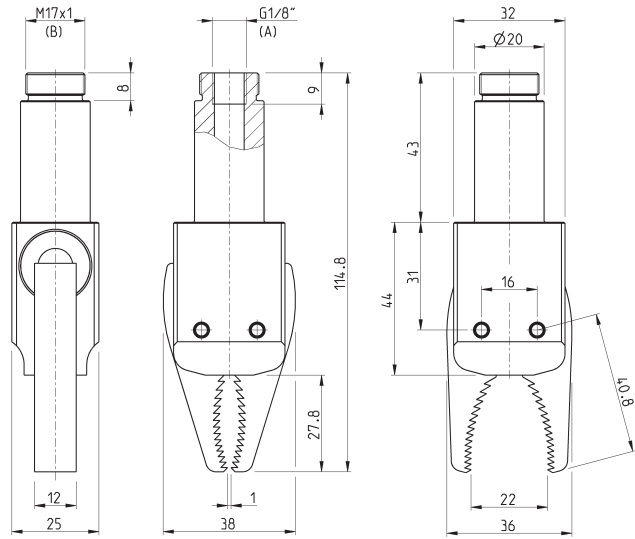
Flat finger gripper Mod. RPGA-20-A - dimensions



A = connection port
B = fixing thread

Mod.
RPGA-20-A

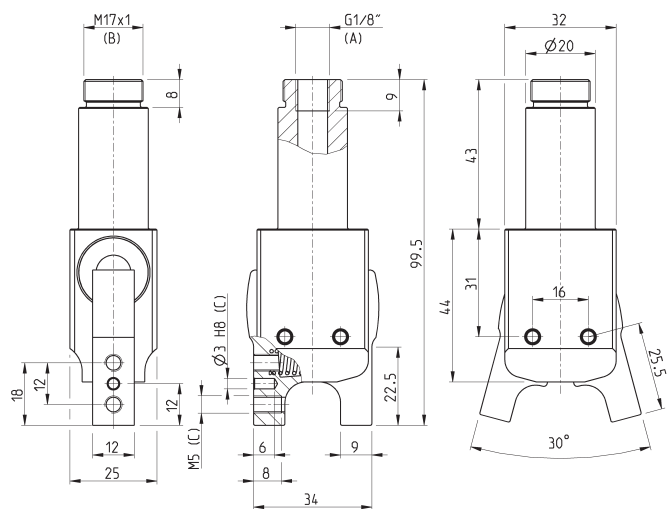
Curved finger gripper Mod. RPGA-20-B - dimensions



A = connection port
B = fixing thread

Mod.
RPGA-20-B

Short finger gripper Mod. RPGA-20-C - dimensions



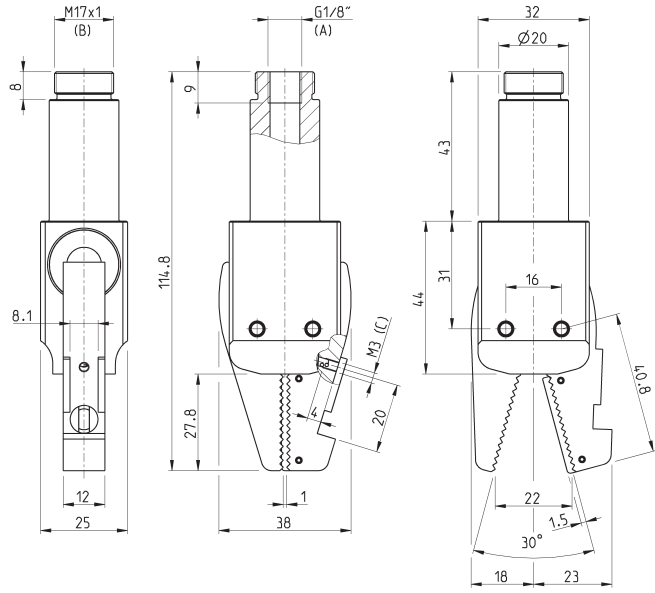
A = connection port
B = fixing thread
C = fixing holes

Mod.
RPGA-20-C

Flat finger gripper with sensor slot Mod. RPGA-20-D - dimensions



Note: the sensor is not supplied with the gripper



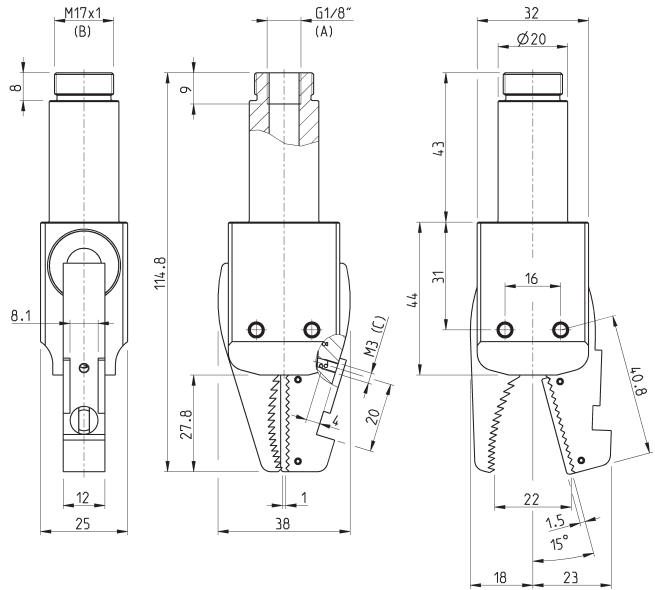
A = connection port
B = fixing thread
C = sensor fixing hole

Mod.
RPGA-20-D

Curved finger gripper with sensor slot Mod. RPGA-20-E - dimensions



Note: the sensor is not supplied with the gripper



A = connection port
B = fixing thread
C = sensor fixing hole

Mod.
RPGA-20-E