

Robot tool changer Series RTC

New

Sizes: 50, 90, 150



- » High flexibility and adaptability
- » Constant monitoring of the locking device status
- » Enhanced efficiency and accuracy
- » High load capacity
- » Reduction of downtime

The Series RTC Tool Changer is the ideal solution for industrial applications that require an efficient and reliable device for a fast and secure changeover of tools (gripping or working systems). Series RTC is available in three sizes: 50, 90 and 150 and offers high reliability and robustness, handling loads of up to 50 kg, and guaranteeing excellent performance even under very demanding operating conditions. Thanks to its compact design, the Tool Changer can be easily integrated within industrial robots and cobots, improving the efficiency and productivity of production lines on the one hand while providing enhanced flexibility and quality of work on the other.

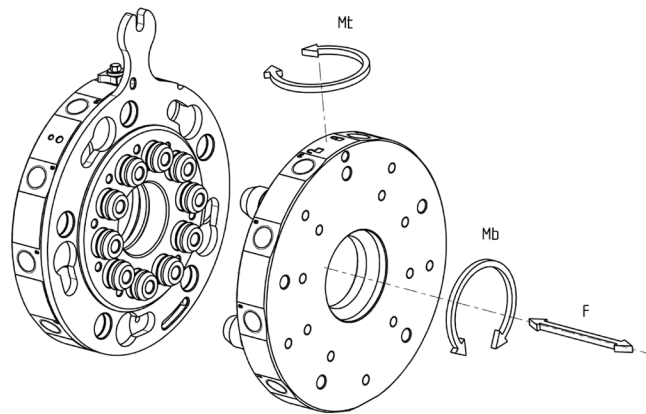
Using a special pneumatically operated accessory, the Tool Changer automates the opening and closing of the locking system, eliminating the need for this to be done manually by an operator. This makes the tool changing process faster and more accurate, reducing human error to a minimum and guaranteeing a more reliable system. Furthermore, the inclusion of magnetic proximity switches and inductive sensors makes it possible to monitor the status of the device and the tools associated with it. This avoids possible malfunctions, ensuring improved safety and system reliability.

GENERAL DATA

| Size | 50 | 90 | 150 |
|------------------------|---|---|---|
| Medium | Compressed air according to ISO 8573-1:2010 [7:4:4] | Compressed air according to ISO 8573-1:2010 [7:4:4] | Compressed air according to ISO 8573-1:2010 [7:4:4] |
| Operating pressure | -1 ÷ 6 bar | -1 ÷ 6 bar | -1 ÷ 6 bar |
| Operating temperature | 5 ÷ 60 °C | 5 ÷ 60 °C | 5 ÷ 60 °C |
| Max payload | 5 kg | 20 kg | 50 kg |
| Pneumatic connections | 4 | 8 | 10 |
| Tool changer (robot) | RTC-50-R (103 g) | RTC-90-R (318 g) | RTC-150-R (1123 g) |
| Tool changer (gripper) | RTC-50-T | RTC-90-T | RTC-150-T |

CODING EXAMPLE

| | | | | |
|------------|----------------------------------|-----------|---|----------|
| RTC | - | 50 | - | T |
| RTC | SERIES | | | |
| 50 | SIZE 50 90 150 | | | |
| T | VERSION T = tool R = robot | | | |

 Safe working loads


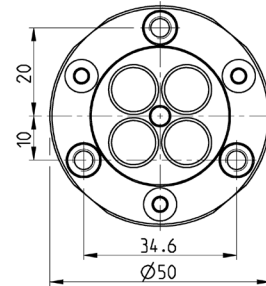
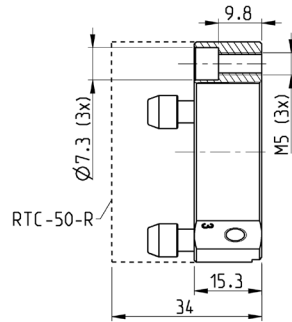
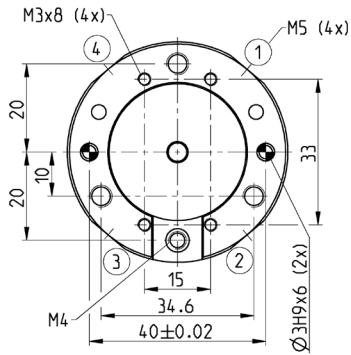
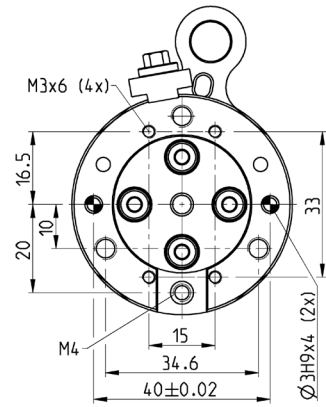
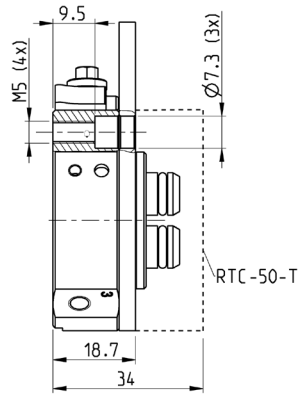
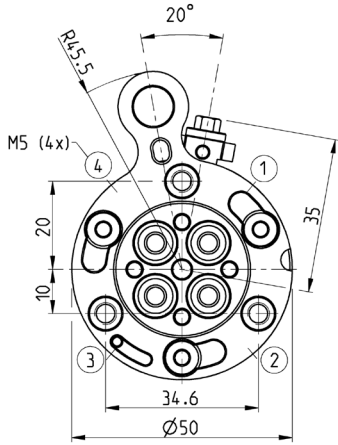
| Mod. | F | Mt | Mb | m* |
|---------------|--------|--------|--------|-------|
| RTC50 | 350 N | 30 Nm | 15 Nm | 5 kg |
| RTC90 | 1400 N | 180 Nm | 100 Nm | 20 kg |
| RTC150 | 3000 N | 600 Nm | 350 Nm | 50 kg |

*Maximum recommended load.

Dimensions RTC tool changer - size 50

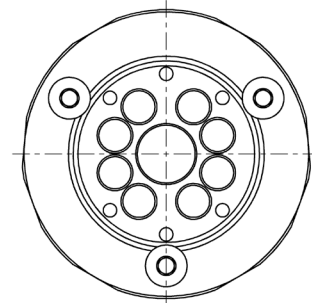
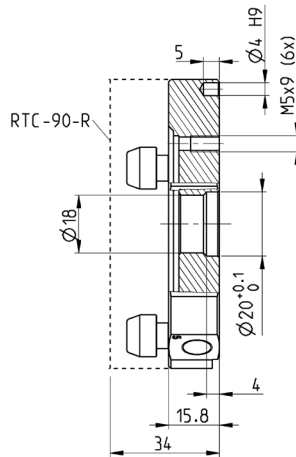
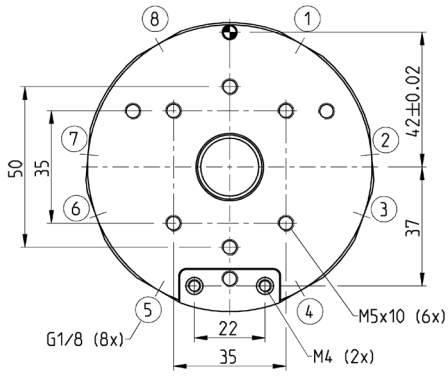
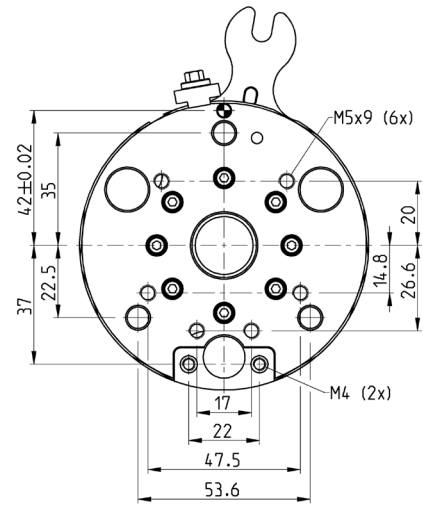
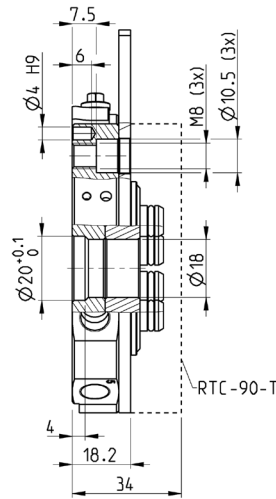
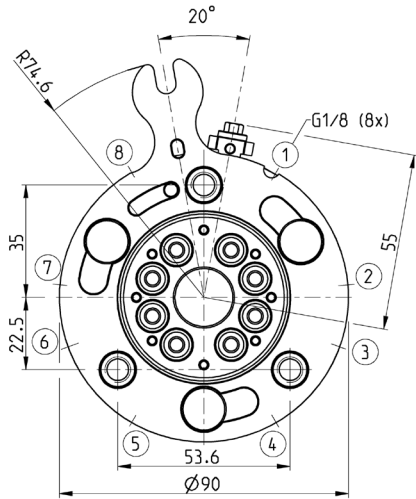


ROBOT TOOL CHANGER SERIES RTC



Mod.
RTC-50

Dimensions RTC tool changer - size 90

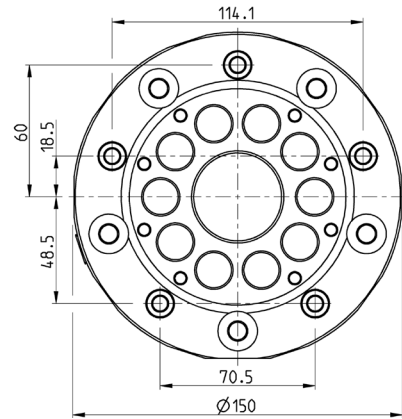
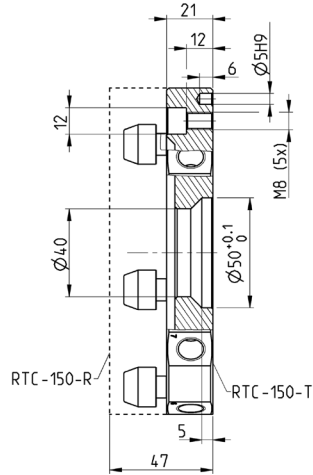
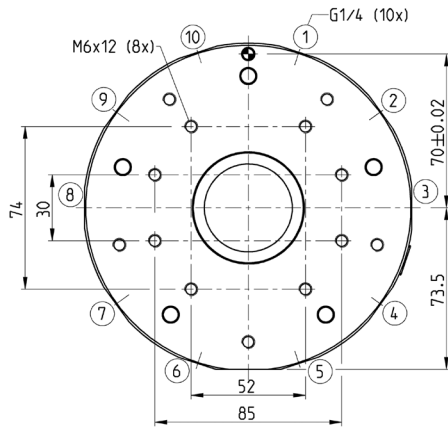
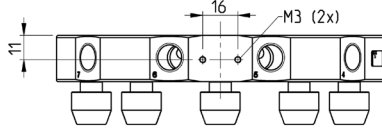
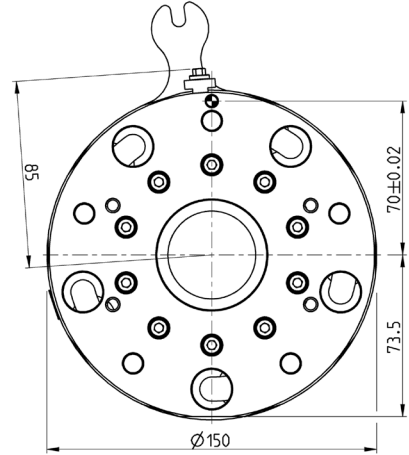
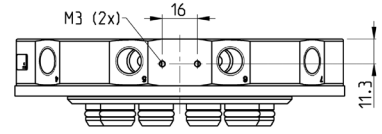
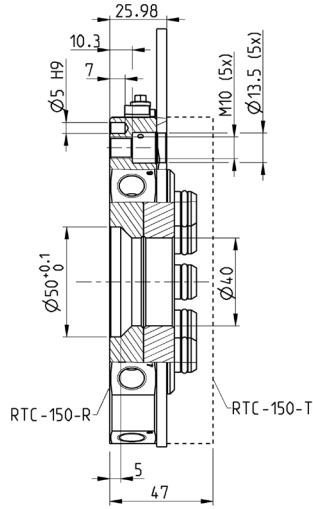
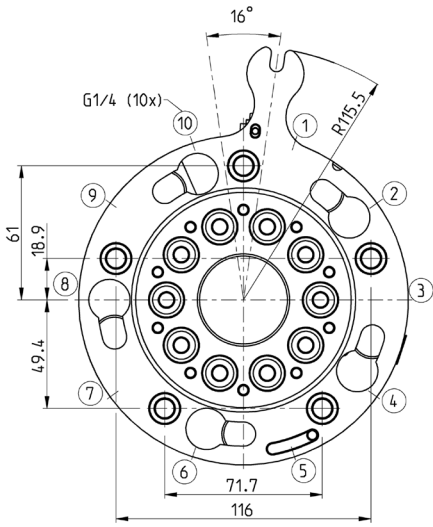


| |
|--------|
| Mod. |
| RTC-90 |

Dimensions RTC tool changer - size 150



ROBOT TOOL CHANGER SERIES RTC

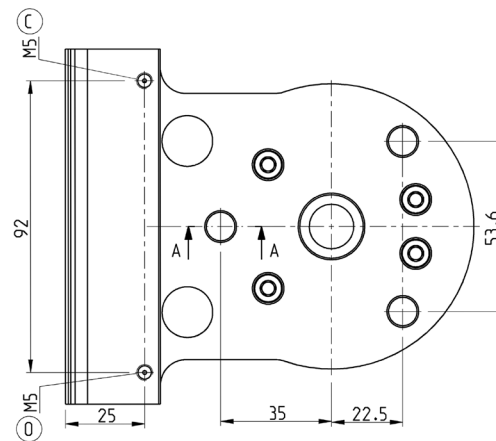
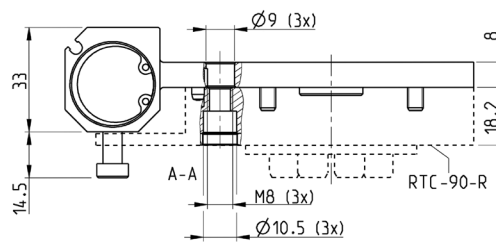
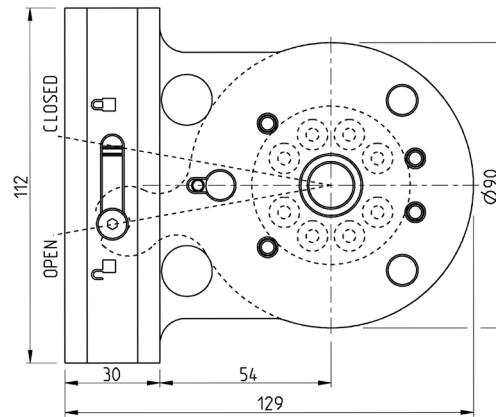


Mod.
RTC-150

Pneumatic actuator for RTC tool changer - size 90



Allows to automate the changeover process with a minimal increase in thickness. Optional inductive sensors (piston's position) and proximity switches to mount on the gripper.

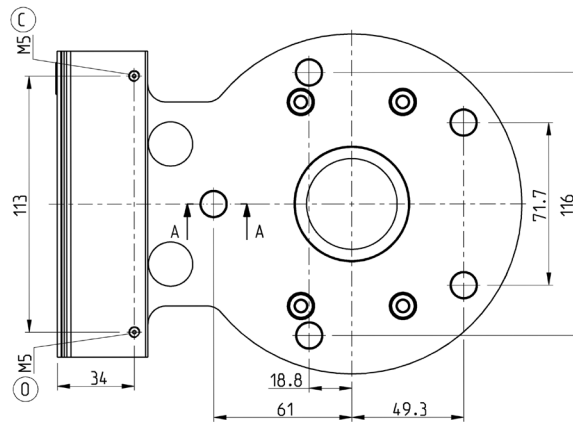
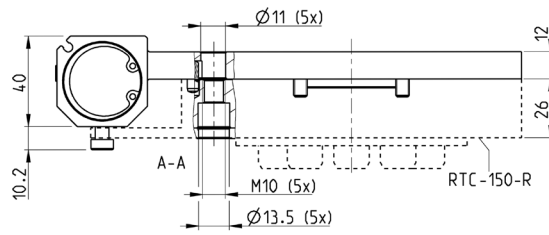
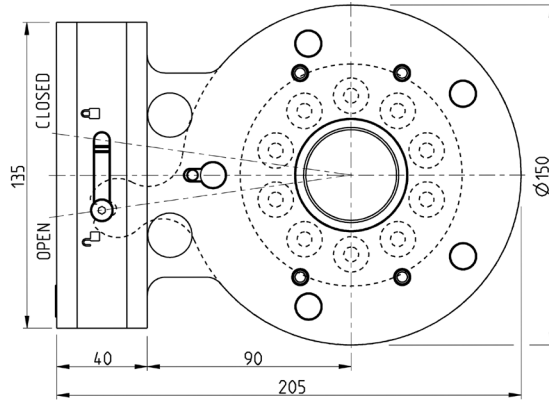


| Mod. | Operating pressure | Temperature |
|----------|--------------------|-------------|
| A-RTC-90 | 4 - 6 bar | 5 ÷ 60 °C |

Pneumatic actuator for RTC tool changer - size 150



Allows to automate the changeover process with a minimal increase in thickness.
Optional inductive sensors (piston's position) and proximity switches to mount on the gripper.



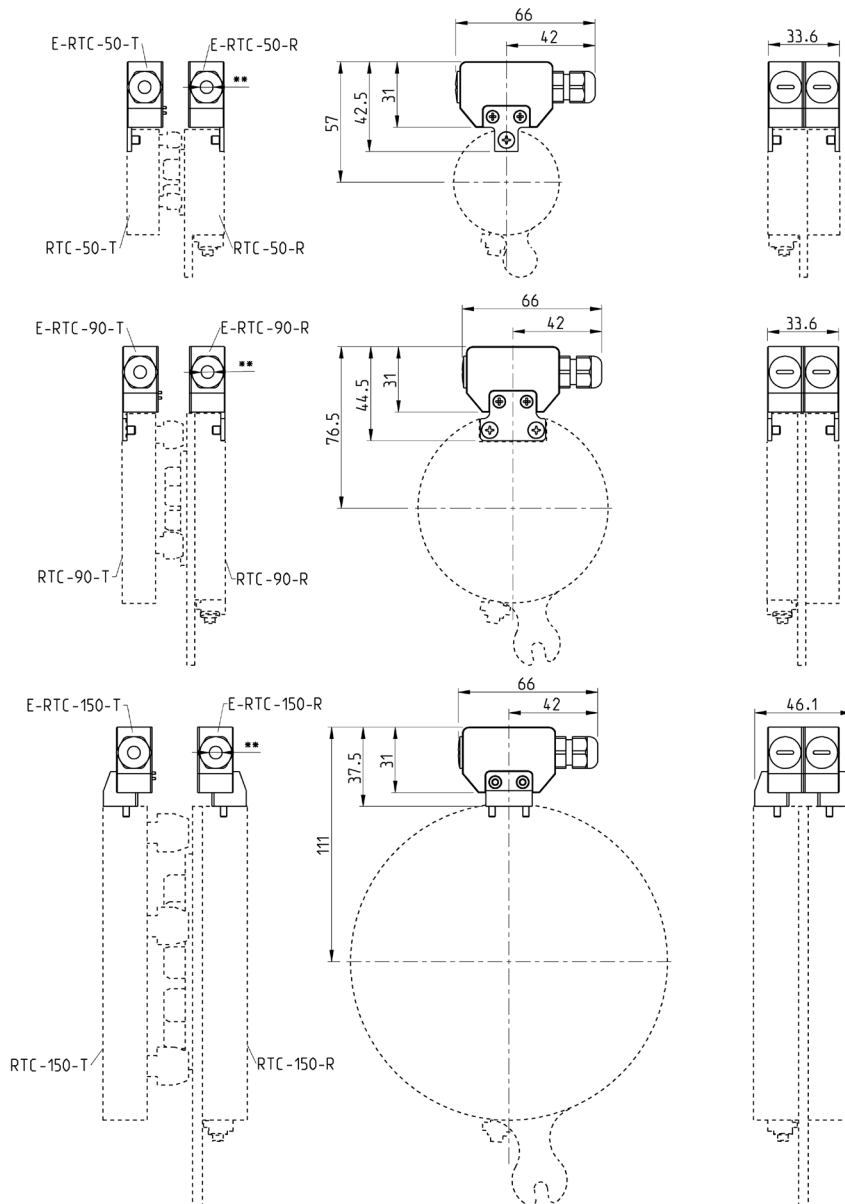
| Mod. | Operating pressure | Temperature |
|-----------|--------------------|-------------|
| A-RTC-150 | 4 - 6 bar | 5 ÷ 60 °C |

Electrical connection kit

I/O connection through 16 spring pins.



**min \emptyset wire = 3,5 mm
 max \emptyset wire = 7 mm
 Conductor section = 0,14 mm² ÷ 0,5 mm²
 Nominal current per position = 2A
 Nominal voltage = 32V



Mod.

E-RTC-50-R

E-RTC-50-T

E-RTC-90-R

E-RTC-90-T

E-RTC-150-R

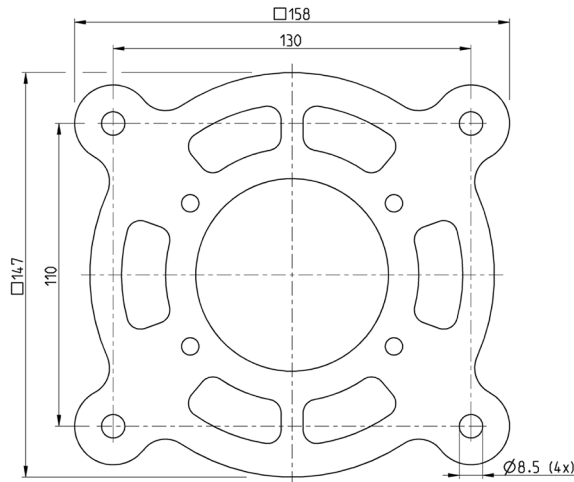
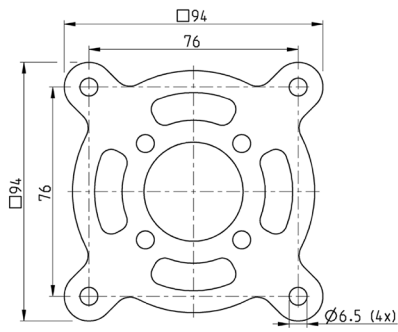
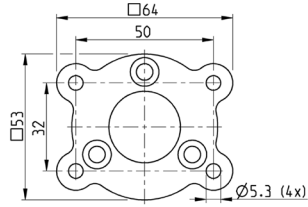
E-RTC-150-T

Plate



Tool fixing screws included.

ROBOT TOOL CHANGER SERIES RTC



Mod.

P-RTC-50

P-RTC-90

P-RTC-150

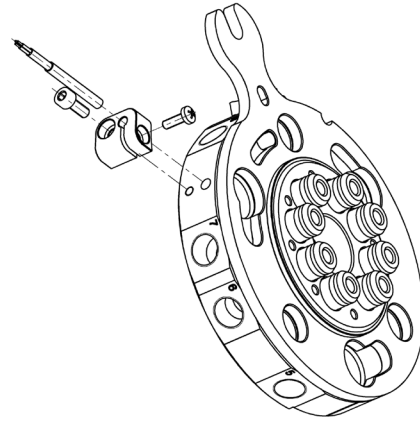
Inductive sensor holder Ø3



Accessory to fix the inductive sensor that detects the presence of the tool.

The supply includes:
fixing screws

Sensor not included in the kit.



Mod.

I-RTC-50-D

I-RTC-90-D

I-RTC-150-D

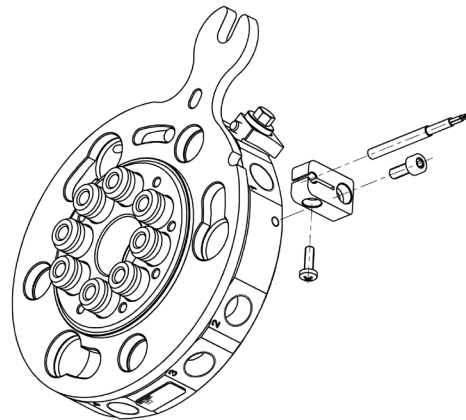
Inductive sensor holder Ø3



Accessory to fix the inductive sensor that detects the proper closure of the locking device.

The supply includes:
fixing screws

Sensor not included in the kit.



Mod.

I-RTC-50-L

I-RTC-90-L

I-RTC-150-L