

Series MTS motors for electric actuation

Stepper motors with Nema 23, 24, 34 fixing flange



- » Low inertia motors
- » Different sizes or power classes available
- » Version with incremental encoder
- » Version with incremental encoder and brake
- » IP65 version available

The new Camozzi motors Series MTS have been designed to be connected in an easy and practical way to the new product range within electrical actuation, being able to drive both electromechanical cylinders and axes.

The new Series MTS electrical Stepper motors are available in the sizes Nema 23, Nema 24 and Nema 34. Each motor version comes with its own driving version that is interfaceable with the QSet configuration software, especially developed by Camozzi in order to simplify the setting up of the electric actuator.

GENERAL DATA

	Models: MTS-23-18-060-0-0-S-C MTS-23-18-060-0-0-E-C MTS-23-18-060-0-F-E-C MTS-23-18-120-0-0-S-CP	Models: MTS-24-18-250-0-0-S-C MTS-24-18-250-0-0-E-C MTS-24-18-250-0-F-E-C MTS-24-18-250-0-0-S-CP	Models: MTS-34-18-701-0-0-S-C
Shaft	single	single	single
Leads	4	4	5
Length	41 mm	85 mm	125.5 mm
Holding torque	0.6 Nm 0.6 Nm/1.2 Nm (Nema 23 IP65 only)	2.5 Nm	7.1 Nm
Current per phase	4.5 A/Phase	4.5 A/Phase	7 A/Phase
Resistance	0.48 Ω/Phase	0.65 Ω/Phase	0.49 Ω/Phase
Motor inertia	135 g·cm ²	900 g·cm ²	2750 g·cm ²
Dielectric strength	500 V AC/min	500 V AC/min	500 V AC/min

CODING EXAMPLE

MTS	-	23	-	18	-	060	-	0	-	0	-	S	-	C
------------	----------	-----------	----------	-----------	----------	------------	----------	----------	----------	----------	----------	----------	----------	----------

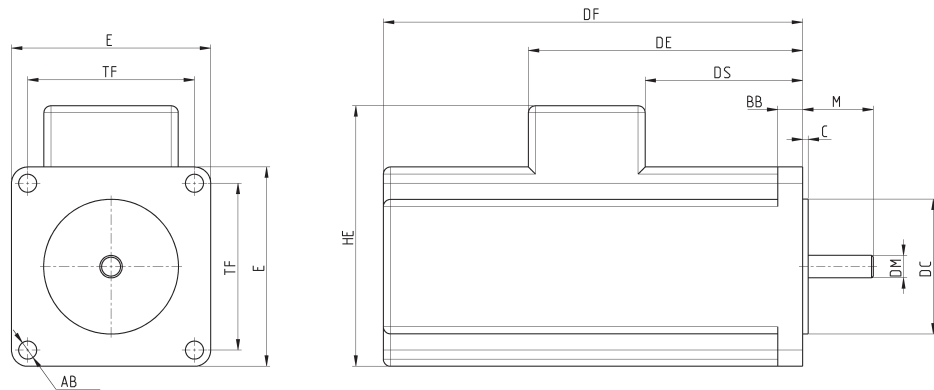
MTS	SERIES
23	MOTOR SIZE FLANGE CONNECTION: 23 = Nema 23 24 = Nema 24 34 = Nema 34
18	RESOLUTION IN DEGREES PER REVOLUTION: 18 = 1.8° per step
060	TORQUE: 060 = 0.6 Nm with Nema 23 only 120 = 1.2 Nm with Nema 23 IP65 only 250 = 2.5 Nm with Nema 24 only 701 = 7.1 Nm with Nema 34 only
0	ELECTRICAL CONNECTION: 0 = connector
0	BRAKE: 0 = without brake F = with brake
S	ENCODER VARIANTS: S = single shaft without encoder E = single shaft with encoder (SIZE Nema 23 and 24 only)
C	MECHANICAL SHAFT VARIANTS: C = cylindrical shaft
	VERSION: = Standard P = IP65

SERIES MTS MOTORS

Series MTS Stepper motors - dimensions

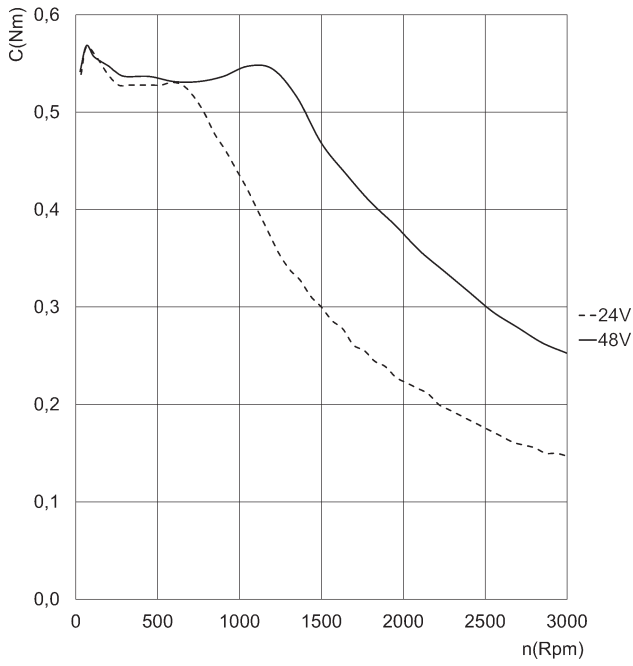


Supplied with:
1 motor
4 screws



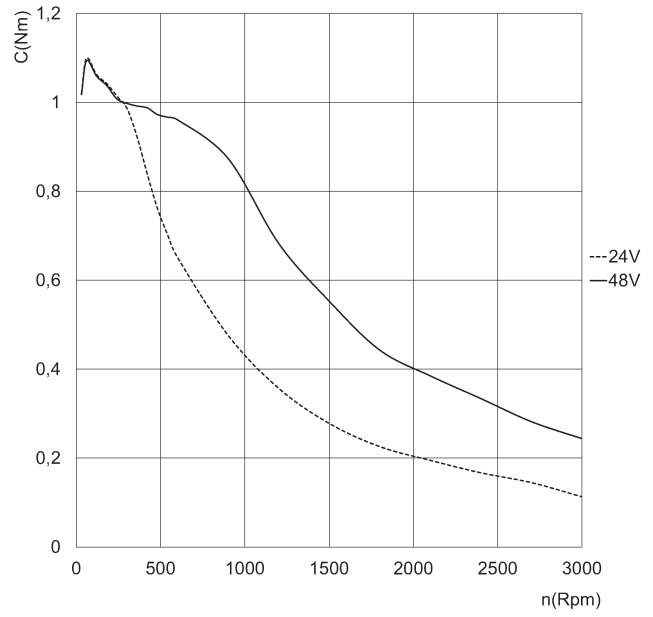
Mod.	Brake	Encoder	Nema	DS	DE	DF	HE	E	L	DM ^(h7)	M	DC ^(H10)	C	TF	AB	BB	Weight (Kg)
MTS-23-18-060-0-0-S-C	-	-	23	-	-	41	-	56.4	300 ± 10	6.35	20.6	38.1	1.6	47.14	5.1	5	0.42
MTS-23-18-120-0-0-S-CP	-	-	23	41	-	-	-	56.4	300 ± 10	6.35	20.6	38.1	1.6	47.14	5.1	7	0.8
MTS-23-18-060-0-0-E-C	-	×	23	31.5	-	64.5	73.6	56.4	200 ± 50	6.35	20.6	38.1	1.6	47.14	5.1	7	0.42
MTS-23-18-060-0-F-E-C	×	×	23	31.5	64.5	105.5	73.6	56.4	200 ± 50	6.35	20.6	38.1	1.6	47.14	5.1	7	0.62
MTS-24-18-250-0-0-S-C	-	-	24	-	-	85	-	60	300 ± 10	8	20.6	38.1	1.5	47.14	4.5	7	1.41
MTS-24-18-250-0-0-S-CP	-	-	24	95	-	-	-	60	300 ± 10	8	20.6	38.1	1.5	47.14	4.5	8	1.6
MTS-24-18-250-0-0-E-C	-	×	24	78	-	111	77.4	60	200 ± 50	8	20.6	38.1	1.5	47.14	4.5	8	1.41
MTS-24-18-250-0-F-E-C	×	×	24	78	111	152	77.4	60	200 ± 50	8	20.6	38.1	1.5	47.14	4.5	8	1.62
MTS-34-18-701-0-0-S-C	-	-	34	125.5	-	-	98	86	300 ± 10	14	37	73	2	69.6	6.5	10	3.8

Torque-speed curves



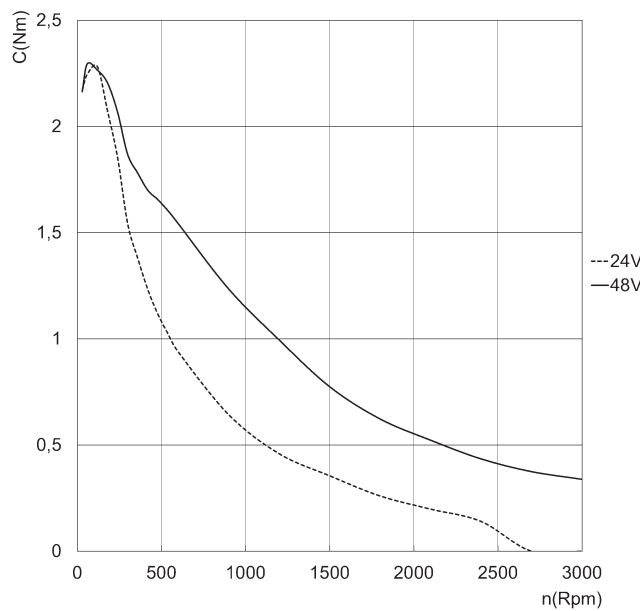
Nema 23 motors
 Mod. MTS-23-18-060-0-0-S-C
 Mod. MTS-23-18-060-0-0-E-C
 Mod. MTS-23-18-060-0-F-E-C

C = torque [Nm]
 n = revolutions per minute [Rpm]



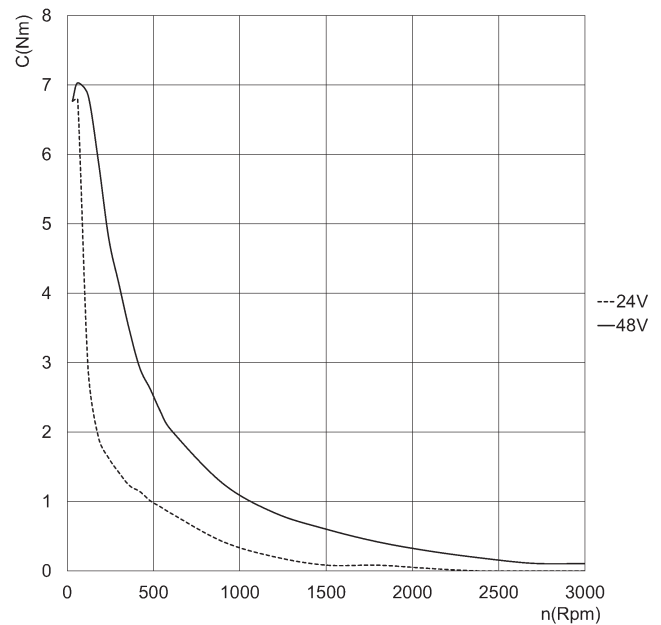
Nema 23 motors IP65
 Mod. MTS-23-18-120-0-0-S-CP

C = torque [Nm]
 n = revolutions per minute [Rpm]



Nema 24 motors
 Mod. MTS-24-18-250-0-0-S-C
 Mod. MTS-24-18-250-0-0-E-C
 Mod. MTS-24-18-250-0-F-E-C
 Mod. MTS-24-18-250-0-0-S-CP

C = torque [Nm]
 n = revolutions per minute [Rpm]



Nema 34 motors
 Mod. MTS-34-18-701-0-0-S-C

C = torque [Nm]
 n = revolutions per minute [Rpm]