

# Adjustable overpressure exhaust valve Mod. VMR 1/8-B10

Ports: G1/8



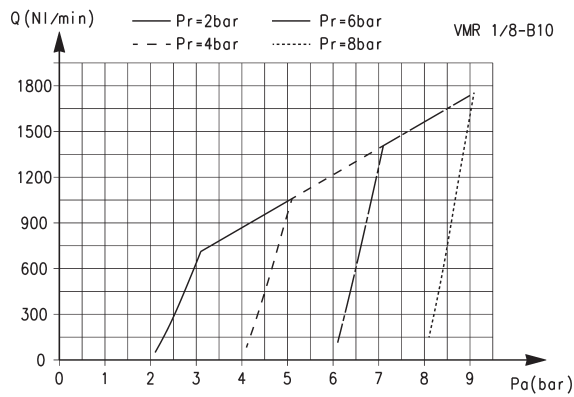
» Able to maintain pressure constant at a set value which allows the overpressure to exhaust

The adjustable valve Mod. VMR 1/8-B10 allows to discharge the overpressure that can be generated in a volume.

## GENERAL DATA

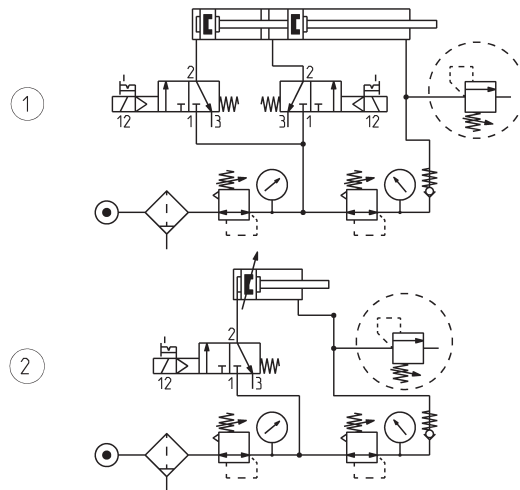
<b>Valve group</b>	automatic valves
<b>Construction</b>	diaphragm type
<b>Materials</b>	brass body zinc-plated steel spring NBR seals
<b>Mounting</b>	in any position
<b>Ports</b>	G1/8
<b>Operating temperature</b>	-5°C ÷ 50°C (with the dew point of the fluid lower than 2°C at the min. working temperature)
<b>Medium</b>	filtered air, without lubrication. If lubricated air is used, it is recommended to use ISO VG32 oil. Once applied the lubrication should never be interrupted.

**FLOW DIAGRAM and FUNCTIONING SCHEMES**



**FLOW DIAGRAM**

Pa = Inlet pressure  
Pr = Regulated pressure  
Q = Flow

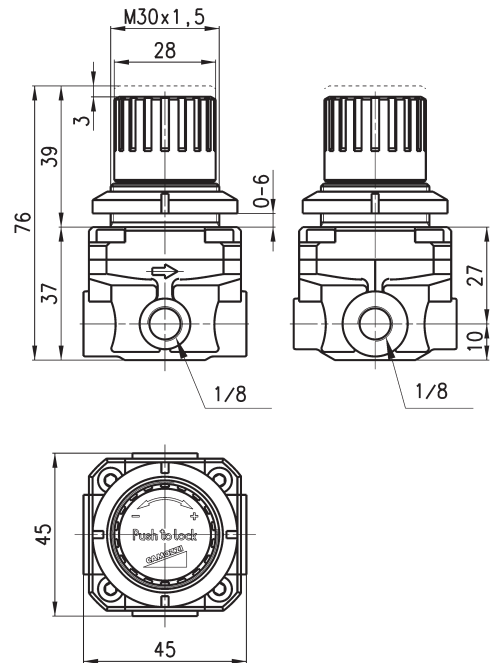
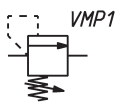


**FUNCTIONING SCHEME 1:** overpressure exhaust in a cylinder chamber or in a tank when the set value has been exceeded.

**FUNCTIONING SCHEME 2:** VMR valve with maximum adjustable pressure allows pressure in a cylinder chamber or in tank to exhaust in the atmosphere every time the set regulation value is exceeded.

ADJUSTABLE VALVE MOD. VMR 1/8-B10

**Valve with maximum adjustable pressure Mod. VMR 1/8-B10**



Mod.	Working pressure (bar)
VMR 1/8-B10	1 ÷ 8